

DC Brushless Fan



RoHS
Compliant



Specifications:

Operating Voltage Range	: 4.5-13.8 VDC
Starting Voltage	: 4.5V DC (25 deg. C Power ON / OFF)
Rated Speed	: 2,500RPM \pm 10%
Air Delivery	: 45 CFM
Static Pressure	: 0.14 Inch-HDD
Rated Current	: 0.12A
Rated Power	: 1.4W
Noise Level	: 32dB(A)
Direction of Rotation	: Counter-Clockwise viewed From Front of Fan Blade
Operating Temperature	: -10°C to +70°C
Storage Temperature	: -40°C to +70°C
Bearing System	: VAPO Bearing system
Weight	: 95g
Vibration	: Vibration of acceleration 1.5g and frequency 5-50-5Hz is applied in all 3 directions(X,Y,Z), in cycles of 1 Minute each, for a total vibration time of 30 minutes
Locked Rotor Protection	: Automatic Restart Capability Note : In a situation where the fan is locked by external force while the electricity is on, an Increase in coil temperature will be prevented by temporarily turning off the electrical power to the Motor. The fan will automatically restart when the locked rotor condition is released
Air Flow Direction	: Toward Label Side
Best Mounting Direction	: Any Orientation
Frame Dimensions	: 92mm \times 92mm \times 25mm
Supply Voltage	: 12V DC
Current Rating	: 120mA
Flow Rate	: 1.25m ³ /min
Power Connection Type	: Wire Leded
Current Type	: DC

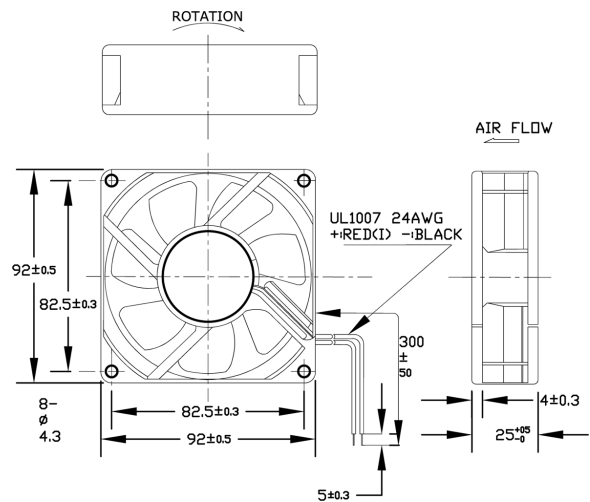
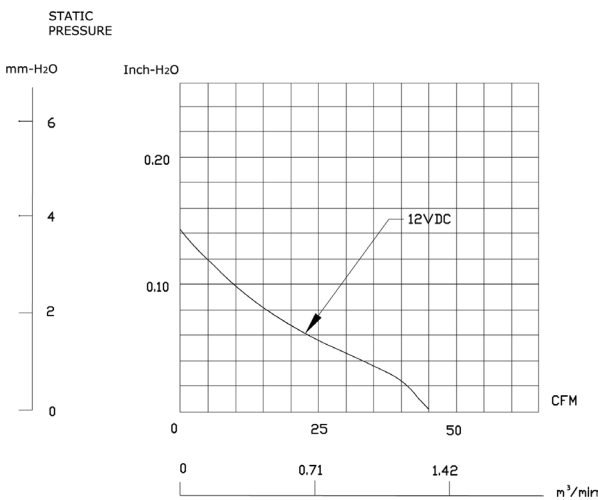
DC Brushless Fan



Characteristics:

Motor Design	: DC brushless 4 pole Motor design
Insulation Resistance	: More than 10MΩ between Internal stator and lead wire(+) Measured at DC 500V
Dielectric Strength wire(+)	: Applied AC 500V for one Minute or AC 600V for 2 seconds between housing and lead
Noise Level	: Measured in a. Semi-anechoic chamber with background noise level below 15dbC(A). The fan is running in free air with the Microphone at a distance of one Meter from the fan Intake
Input Power, Current & Speed	: Measured after continuous 10 Minute operation at rated voltage in clean air, and at ambient temperature of 25 degrees C
Tolerance	: ±15% rated power and current
Air Performance	: Measured by a. Double chamber. The values are recorded when the fan speed has stabilized at rated voltage

Performance Curves:



Part Number Table

Description	Part Number
Axial Fan; Current Type : DC	MC19707

Important Notice : This data sheet and its contents (the "Information") belong to the members of the Premier Farnell group of companies (the "Group") or are licensed to it. No licence is granted for the use of it other than for information purposes in connection with the products to which it relates. No licence of any intellectual property rights is granted. The Information is subject to change without notice and replaces all data sheets previously supplied. The Information supplied is believed to be accurate but the Group assumes no responsibility for its accuracy or completeness, any error in or omission from it or for any use made of it. Users of this data sheet should check for themselves the Information and the suitability of the products for their purpose and not make any assumptions based on information included or omitted. Liability for loss or damage resulting from any reliance on the Information or use of it (including liability resulting from negligence or where the Group was aware of the possibility of such loss or damage arising) is excluded. This will not operate to limit or restrict the Group's liability for death or personal injury resulting from its negligence. Multicomp is the registered trademark of the Group. © Premier Farnell plc 2012.

