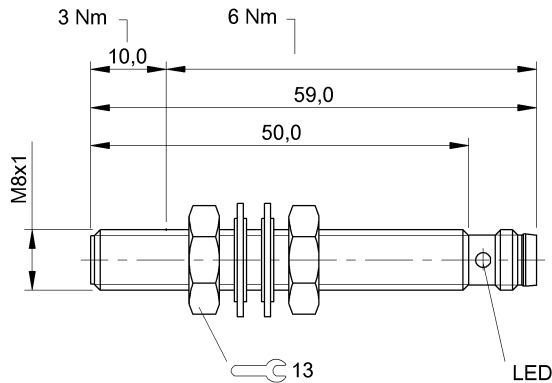


BES M08MI-PSC40B-S49G
Ordering code: BES01ZW

Inductive sensor
M08x59 mm
Long range

DC, direct current
PNP/Normally open (NO)
Sn = 4 mm
Quasi embeddable

BALLUFF
sensors worldwide



Characteristic data

Eff. switching distance S_r	4 mm
Tolerance S_r	$\pm 10\%$
Assured operating distance S_a	2.9 mm
Hysteresis H max. (in % of S_r)	15 %
Repeat accur. R max. (% of S_r)	5 %
Ambient temperature	0...60 °C
Temp. drift max. (% of S_r)	20 %
Switching freq. f max.	800 Hz
Ready delay t_v max.	10 ms
Utilisation category	DC 13
Function indicator	Yes
Power-on indicator	No
Short-circuit protected	Yes
Degree of protection as per IEC 60529	IP67
Protected against polarity reversal	Yes
Protected against reverse connection	Yes

Electrical data

Operating voltage	
Rated operating voltage U_e DC	24 V
Ripple max. (% of U_e)	15 %
Voltage drop static max.	2.8 V
Rated insulation voltage U_i	75 DC V
Effective operating current I_e	200 mA
No-load current I_0 damped	10 mA
No-load current I_0 undamped	8 mA
Off-state current I_r max.	10 μ A

Minimum operating current I_m	0 mA
Rated short circuit current	100 A
Output resistance R_a	33.0k + 2D
Load capacitance max. (at U_e)	1 μ F
Principle of operation	Inductive

Mechanical data

Housing material	CuZn
Surface protection	Nickel-plated
Sensing surface material	PBT
Tightening torque max.	3 Nm / 6 Nm
Mounting length	50 mm
Connection type	Connector
Connector type	M08x1-S49
Shock rating	Shock, half-sinus, 30 gn, 11ms
Vibration rating	55 Hz, 1 mm ampl., 3x30 min
Degree of contamination	3

Basic data

Basic standard	IEC 60947-5-2
----------------	---------------

Remarks

The sensor is functional again after the overload has been eliminated.
Quasi-shielded: See installation instructions for inductive sensors with extended switching distance 825356.
EMC: EMC protection circuit needed, see 825345. Burst: 1.2 IVW: 2.2
With connector, e.g. BKS-S 49-... total length = switch length + 12 mm.



Definitions see main catalog

subject to change

BES M08MI-PSC40B-S49G
Ordering code: BES01ZW

Inductive sensor
M08x59 mm
Long range

DC, direct current
PNP/Normally open (NO)
Sn = 4 mm
Quasi embeddable

BALLUFF
sensors worldwide

