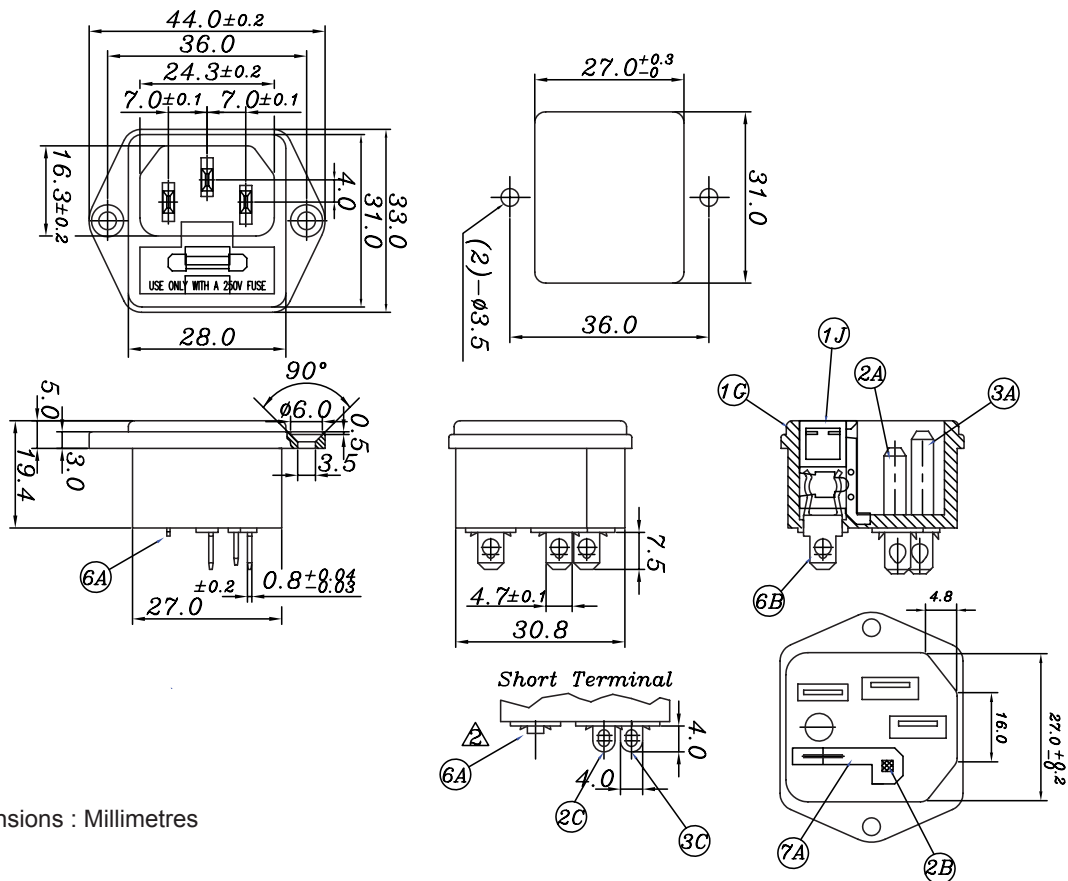


Fused IEC Inlet



Specifications:

Rating	: 6.3A/2.5W 250V AC
Withstand Voltage	: 2,000V AC 1 minute
Insulation Resistance	: More than 100MΩ at 500V DC
Operating Temperature	: -25°C to +85°C (Max.)
Gender	: Plug
Voltage Rating	: 250V AC
Connector Mounting	: Panel
Contact Termination	: Through Hole Vertical
Panel Cut-out Depth	: 31mm
Panel Cutout Width	: 27mm
Termination Method	: Solder / Push-On



Dimensions : Millimetres



Fused IEC Inlet



1G	Body	1	Nylon #66	-	-	Q101-01G
1J	Fuse Cover		Nylon #66	-	-	Q101-01J
2A	Edge Terminal		Bsp1-1/2H	t=2	Sin-plated	Q101-02A
2B	Edge Terminal					Q101-02B
2C	Edge Terminal (Short)					Q101-02C
3A	Centre Terminal					Q101-03A
3C	Centre Terminal (Short)		Q101-03C			
6A	Fuse Holder (Short)	1 or 2	t=0.5		Q101-06A	
6B	Fuse Holder	1	t=0.8		Q101-06B	
7A	Connector		t=0.6		Q101-07A	

Part Number Table

Description	Part Number
Inlet, IEC, Fused, Panel	JR-101-1F

Important Notice : This data sheet and its contents (the "Information") belong to the members of the Premier Farnell group of companies (the "Group") or are licensed to it. No licence is granted for the use of it other than for information purposes in connection with the products to which it relates. No licence of any intellectual property rights is granted. The Information is subject to change without notice and replaces all data sheets previously supplied. The Information supplied is believed to be accurate but the Group assumes no responsibility for its accuracy or completeness, any error in or omission from it or for any use made of it. Users of this data sheet should check for themselves the Information and the suitability of the products for their purpose and not make any assumptions based on information included or omitted. Liability for loss or damage resulting from any reliance on the Information or use of it (including liability resulting from negligence or where the Group was aware of the possibility of such loss or damage arising) is excluded. This will not operate to limit or restrict the Group's liability for death or personal injury resulting from its negligence. Multicomp is the registered trademark of the Group. © Premier Farnell plc 2012.