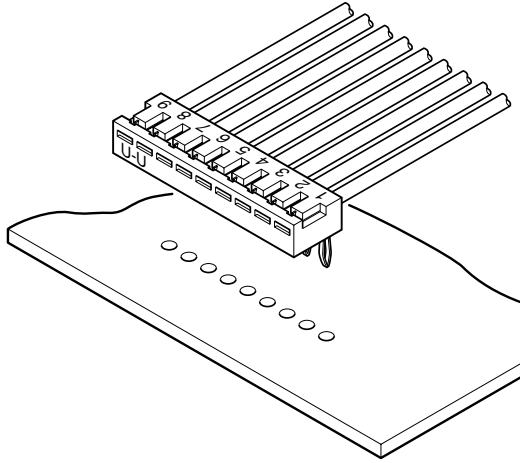




# SJN CONNECTOR

**2.0mm pitch/Board-in Crimp style connectors**



**Side entry type board-in connector, with a mounting height of only 2.8mm and a thickness of 4.9mm.**

- Housing lances
- Easy mounting onto printed circuit boards

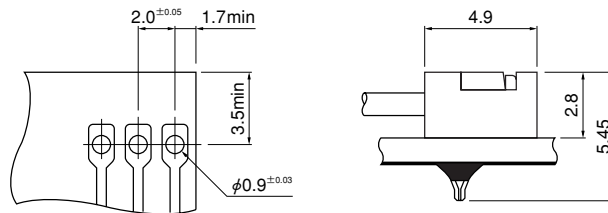
## Specifications

- Current rating: 3A AC, DC (AWG #22)
- Voltage rating: 250V AC, DC
- Temperature range: -25°C to +85°C  
(including temperature rise in applying electrical current)
- Insulation resistance: 1,000M  $\Omega$  min.
- Withstanding voltage: 800V AC/minute
- Applicable wire: AWG #28 to #22
- Applicable PC board thickness: 1.2 to 1.6mm
- \* Compliant with RoHS.
- \* Refer to "General Instruction and Notice when using Terminals and Connectors" at the end of this catalog.
- \* Contact JST for details.

## Standards

 Recognized E60389

### PC board layout (viewed from soldering side) and Assembly layout

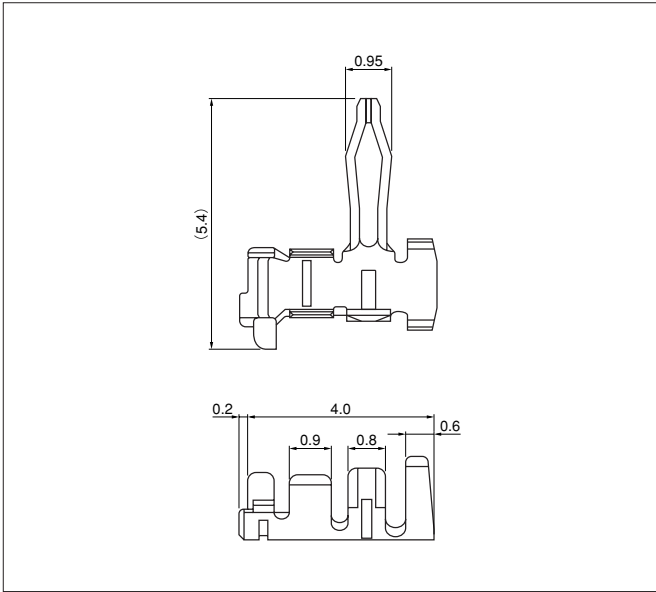


Note: 1. Tolerances are non-cumulative:  $\pm 0.05\text{mm}$  for all centers.

2. Hole dimensions differ according to the kind of PC board and piercing method. The dimensions above should serve as a guideline. Contact JST for details.

# SJN CONNECTOR

## Contact



Model No.	Applicable wire		Insulation O.D.(mm)	Q'ty/ reel
	mm <sup>2</sup>	AWG #		
<b>SJN-001PT-0.9</b>	0.20~0.33	24~22	1.1~1.4	15,000
<b>SJN-002PT-0.9</b>	0.08~0.22	28~24	0.9~1.4	18,000

### Material and Finish

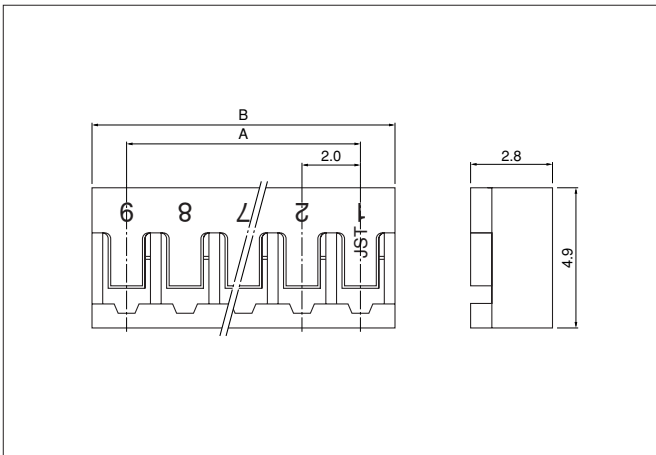
Brass, tin-plated (reflow treatment)

### RoHS compliance

Note: Contact JST if you require shielded wires, thin wires or other special wires.

Contact	Crimping machine	Applicator		
		Crimp applicator	Dies	Crimp applicator with dies
<b>SJN-001PT-0.9</b>	AP-K2N	MKS-L	MK/SJN-001-09	APLMK SJN001-09
		—	—	—
<b>SJN-002PT-0.9</b>		MKS-L	MK/SJN-002-09	APLMK SJN002-09
		—	—	—

## Housing



Circuits	Model No.	Dimensions (mm)		Q'ty / bag
		A	B	
2	<b>02P-SJN</b>	2.0	4.4	2,000
3	<b>03P-SJN</b>	4.0	6.4	1,000
4	<b>04P-SJN</b>	6.0	8.4	1,000
6	<b>06P-SJN</b>	10.0	12.4	1,000
7	<b>07P-SJN</b>	12.0	14.4	1,000
8	<b>08P-SJN</b>	14.0	16.4	1,000
9	<b>09P-SJN</b>	16.0	18.4	1,000
10	<b>10P-SJN</b>	18.0	20.4	1,000

### Material

PA 66, UL94V-0, natural (white)

### RoHS compliance