

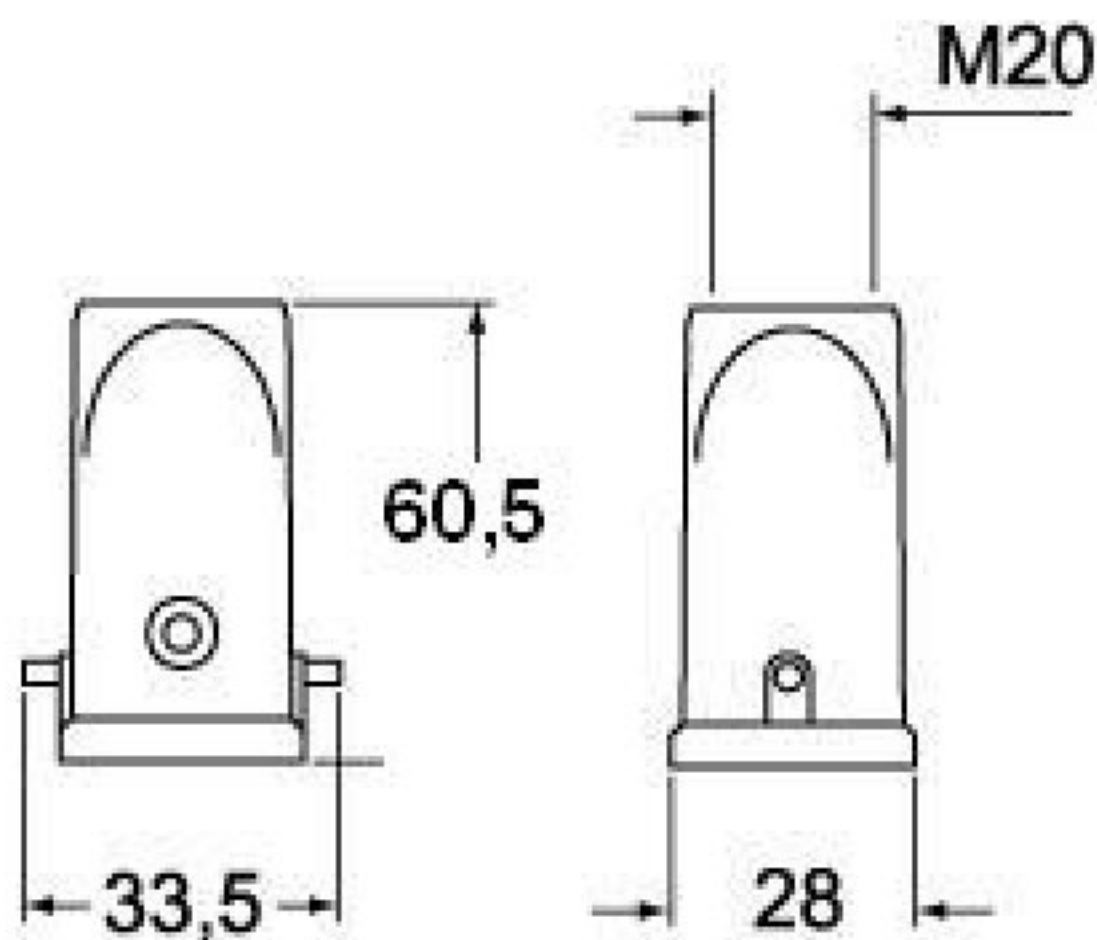
Product Sheet

Part Number:

MKA V20



www.ilme.com



Family	CK and MK enclosures
Version	metal version
Series	hoods for single lever
Product type	with 2 pegs
Type	top entry
Quality mark	C ^{RU} type: 12,(type 4/4X only with kit CKR 65 or CKR 65 D),
IP degree of protection	IP44 (EN 60529) degree of protection, IP66/67 degree of protection with CKR 65 kit or CKR 65 D kit.
Cable entry	M20
Fixing centre distance	size "21.21"
Material	metal

The information and the dimensions contained are not binding and may be changed without prior notice.
The drawing's dimensions are in mm.