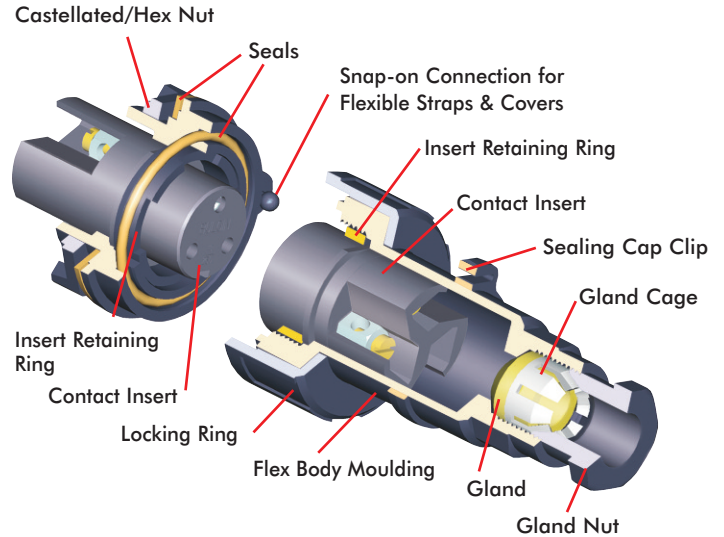




# Standard Buccaneer®

BUCCANEER POWER



- IP68 rating tested at 1.054kg/sq cm (15lb/sq in) 10m depth for 2 weeks and 9.84kg/sq cm (140lb/sq in) 100m depth for 12 hours
- IP69K rating tested to DIN 40050-9
- Water and dustproof to IP68 & IP69K when mated
- 2, 3, 4, 6, 7, 9, 12 and 25 pole
- 12A, 277V ac/dc 2 pole screw terminal, 3 pole screw terminal and crimp contacts
- 10A, 277V ac/dc 4 pole screw terminal
- 5A, 277V ac/dc 6 and 7 pole screw terminal
- 5A, 150V ac/dc 9 pole crimp contacts
- 5A, 50V ac/dc 12 pole crimp and solder contacts
- 1A, 50V ac/dc 25 pole crimp and solder contacts
- BNC versions 50| and 75|
- Plug or socket connection in each body style
- Compact design
- Diameter over coupling ring 38mm
- Sealing caps available to maintain IP68 rating of unmated connectors
- 7 body styles - flex cable, in-line flex cable, panel mount (front), panel mount (rear), PCB mount, bulkhead and flange mount
- Leading earth contact for 3 pole socket version
- Positive locating keyways - cannot be mis-connected
- Easy assembly - no special tools required on screw terminal versions
- Cable range from 3.5mm - 9mm
- Colour coded identification variants
- Pre-wired, overmoulded cable assemblies
- UL, CSA and VDE approvals

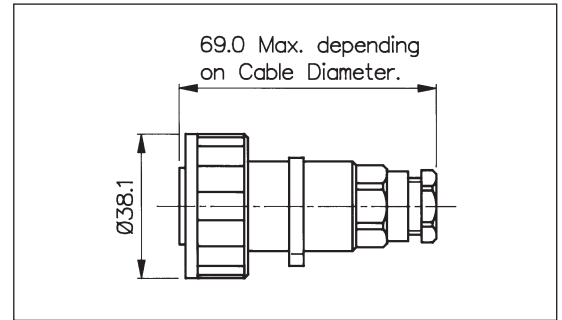
## Standard Buccaneer®

### FLEX CABLE CONNECTOR



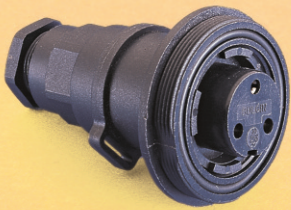
**PX0731/P**

- Mates with In-Line Flex or Panel Mounting Versions
- Screw Locking Ring
- Pin or Socket Versions
- Leading Earth on 3 pole connectors
- Poles 2, 3, 4, 6, 7, 9, 12, 25 or BNC
- Standard Cable Acceptance (2 to 9 pole) 6-8mm, 3.5-9mm with alternative glands



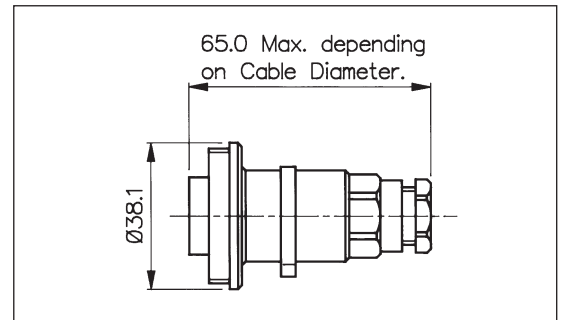
Poles	Termination	Pin Contacts	Socket Contacts	Contacts
2	Screw	PX0736/P	PX0736/S	Supplied Fitted
3	Screw	PX0731/P	PX0731/S	Supplied Fitted
3	Crimp	PX0776/P	PX0776/S	Supplied Loose
4	Screw	PX0748/P	PX0748/S	Supplied Fitted
6	Screw	PX0739/P	PX0739/S	Supplied Fitted
7	Screw	PX0745/P	PX0745/S	Supplied Fitted
9	Crimp	PX0728/P	PX0728/S	Supplied Loose
12	Crimp/Solder	PX0794/P	PX0794/S	Order Separately
25	Crimp/Solder	PX0820/P	PX0820/S	Order Separately
50   BNC	Crimp	PX0742/P/50OHM		Supplied Loose
75   BNC	Crimp	PX0742/P/75OHM		Supplied Loose

### IN-LINE FLEX CABLE CONNECTOR



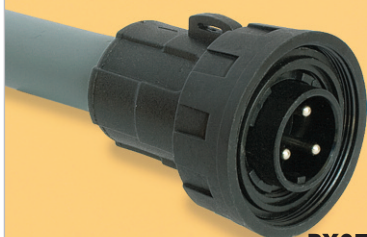
**PX0732/S**

- Mates with Flex Cable Connector
- Pin or Socket Versions
- Leading Earth on 3 pole connectors
- Poles 2, 3, 4, 6, 7, 9, 12, 25 or BNC
- Standard Cable Acceptance (2 to 9 pole) 6-8mm, 3.5-9mm with alternative glands



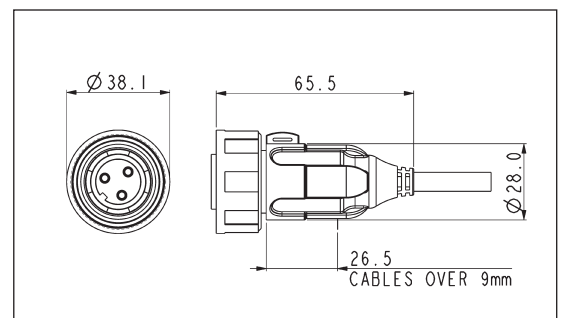
Poles	Termination	Pin Contacts	Socket Contacts	Contacts
2	Screw	PX0737/P	PX0737/S	Supplied Fitted
3	Screw	PX0732/P	PX0732/S	Supplied Fitted
3	Crimp	PX0778/P	PX0778/S	Supplied Loose
4	Screw	PX0749/P	PX0749/S	Supplied Fitted
6	Screw	PX0740/P	PX0740/S	Supplied Fitted
7	Screw	PX0746/P	PX0746/S	Supplied Fitted
9	Crimp	PX0729/P	PX0729/S	Supplied Loose
12	Crimp/Solder	PX0795/P	PX0795/S	Order Separately
25	Crimp/Solder	PX0821/P	PX0821/S	Order Separately
50   BNC	Crimp		PX0743/S/50OHM	Supplied Loose
75   BNC	Crimp		PX0743/S/75OHM	Supplied Loose

### PRE-WIRED FLEX CABLE CONNECTOR



**PX0700**

- Overmoulded cable assemblies
- Up to 14mm dia cable with PVC or PU jackets
- PX0700 flex cable connector
- Mates with in-line flex connector and all panel connectors

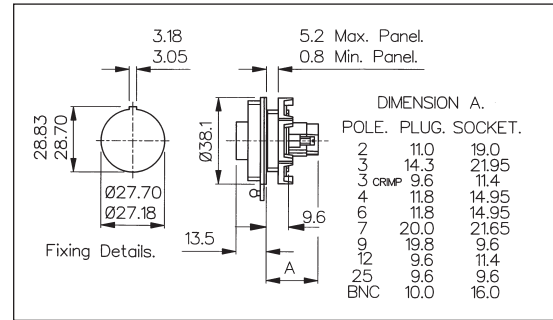


## Standard Buccaneer®

### FRONT PANEL MOUNTING CONNECTOR



- Mates with Flex Cable Connector
- Front panel mounting
- Single Hole Fixing
- Pin or Socket Versions
- Poles 2, 3, 4, 6, 7, 9, 12, 25 or BNC

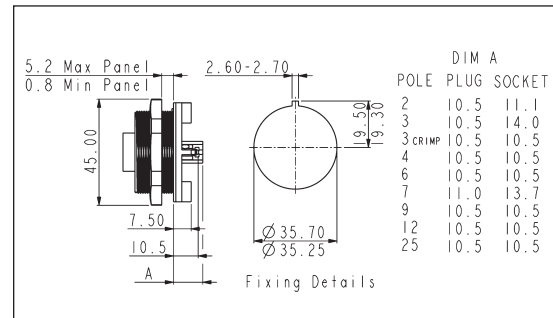


Poles	Termination	Pin Contacts	Socket Contacts	Contacts
2	Screw	PX0735/P	PX0735/S	Supplied Fitted
3	Screw	PX0730/P	PX0730/S	Supplied Fitted
3	Crimp	PX0779/P	PX0779/S	Supplied Loose
4	Screw	PX0747/P	PX0747/S	Supplied Fitted
6	Screw	PX0738/P	PX0738/S	Supplied Fitted
7	Screw	PX0744/P	PX0744/S	Supplied Fitted
9	Crimp	PX0727/P	PX0727/S	Supplied Loose
12	Crimp/Solder	PX0796/P	PX0796/S	Order Separately
25	Crimp/Solder	PX0822/P	PX0822/S	Order Separately
50	BNC Crimp		PX0741/S/50OHM	Supplied Loose
75	BNC Crimp		PX0741/S/75OHM	Supplied Loose

### REAR PANEL MOUNTING CONNECTOR



- Mates with Flex Cable Connector
- Rear panel mounting
- Single Hole Fixing
- Pin or Socket Versions
- Poles 2, 3, 4, 6, 7, 9, 12 or 25

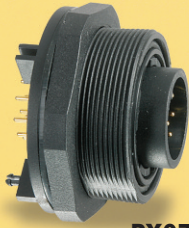


Poles	Termination	Pin Contacts	Socket Contacts	Contacts
2	Screw	PX0709/P/02	PX0709/S/02	Supplied Fitted
3	Screw	PX0709/P/03	PX0709/S/03	Supplied Fitted
3	Crimp	PX0708/P/03	PX0708/S/03	Supplied Loose
4	Screw	PX0709/P/04	PX0709/S/04	Supplied Fitted
6	Screw	PX0709/P/06	PX0709/S/06	Supplied Fitted
7	Screw	PX0709/P/07	PX0709/S/07	Supplied Fitted
9	Crimp	PX0708/P/09	PX0708/S/09	Supplied Loose
12	Crimp/Solder	PX0708/P/12	PX0708/S/12	Order Separately
25	Crimp/Solder	PX0708/P/25	PX0708/S/25	Order Separately



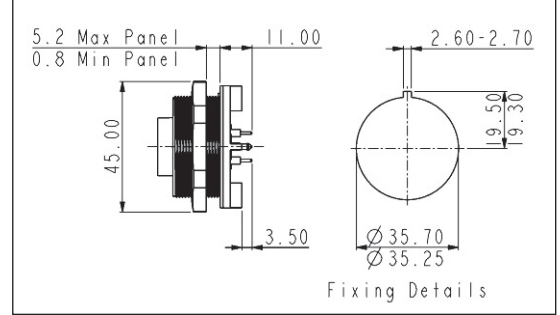
## Standard Buccaneer®

### PCB MOUNTING CONNECTOR



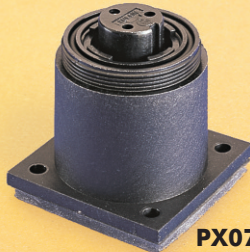
**PX0707/P/12**

- Mates with Flex Cable connector
- Rear panel mounting
- No. poles: 3, 4, 6, 9, 12 or 25
- Pin or socket versions
- Pre-loaded Gold Plated contacts



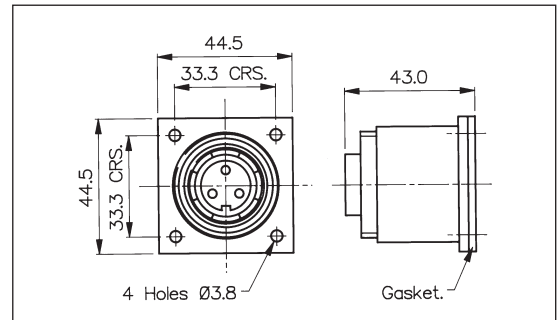
Poles	Termination	Pin Contacts	Socket Contacts	Contacts
3	PCB	PX0707/P/03	PX0707/S/03	Supplied Fitted
4	PCB	PX0707/P/04	PX0707/S/04	Supplied Fitted
6	PCB	PX0707/P/06	PX0707/S/06	Supplied Fitted
9	PCB	PX0707/P/09	PX0707/S/09	Supplied Fitted
12	PCB	PX0707/P/12	PX0707/S/12	Supplied Fitted
25	PCB	PX0707/P/25	PX0707/S/25	Supplied Fitted

### BULKHEAD FLANGE MOUNTING CONNECTOR



**PX0756/S**

- Mates with Flex Cable Connector
- Screw Fixing Flange
- Pin or Socket Versions
- Poles 2, 3, 4, 6, 7, 9, 12, 25 or BNC
- Supplied with sealing gasket and screw sealing grommets



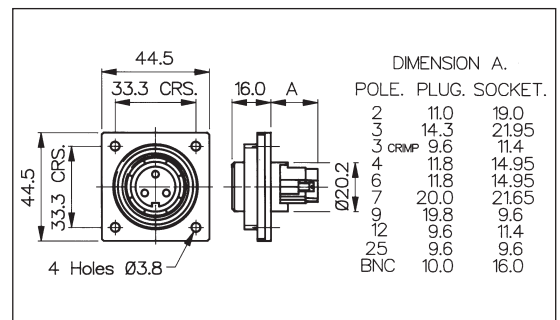
Poles	Termination	Pin Contacts	Socket Contacts	Contacts
2	Screw	PX0757/P	PX0757/S	Supplied Fitted
3	Screw	PX0756/P	PX0756/S	Supplied Fitted
3	Crimp	PX0787/P	PX0787/S	Supplied Loose
4	Screw	PX0761/P	PX0761/S	Supplied Fitted
6	Screw	PX0758/P	PX0758/S	Supplied Fitted
7	Screw	PX0760/P	PX0760/S	Supplied Fitted
9	Crimp	PX0762/P	PX0762/S	Supplied Loose
12	Crimp/Solder	PX0798/P	PX0798/S	Order Separately
25	Crimp/Solder	PX0823/P	PX0823/S	Order Separately
50	BNC Crimp		PX0759/S/50OHM	Supplied Loose
75	BNC Crimp		PX0759/S/75OHM	Supplied Loose

### LOW PROFILE FLANGE MOUNTING CONNECTOR



**PX0765/S**

- Screw Flange Fixing
- Pin or Socket Versions
- Poles 2, 3, 4, 6, 7, 9, 12, 25 or BNC
- Mates with Flex Cable Connector
- Supplied with sealing gasket and screw sealing grommets



Poles	Termination	Pin Contacts	Socket Contacts	Contacts
2	Screw	PX0764/P	PX0764/S	Supplied Fitted
3	Screw	PX0765/P	PX0765/S	Supplied Fitted
3	Crimp	PX0781/P	PX0781/S	Supplied Loose
4	Screw	PX0766/P	PX0766/S	Supplied Fitted
6	Screw	PX0767/P	PX0767/S	Supplied Fitted
7	Screw	PX0768/P	PX0768/S	Supplied Fitted
9	Crimp	PX0769/P	PX0769/S	Supplied Loose
12	Crimp/Solder	PX0797/P	PX0797/S	Order Separately
25	Crimp/Solder	PX0824/P	PX0824/S	Order Separately
50	BNC Crimp		PX0763/S/50OHM	Supplied Loose
75	BNC Crimp		PX0763/S/75OHM	Supplied Loose

BUCCANEER POWER

## Standard Buccaneer®

### COLOURED CONTACT INSERTS



Coloured Inserts

- With or without matching gland nut
- Positive visual identification
- Available in; Black, Blue, Green, Grey, Light Grey, Red, White and Yellow

### Contact Inserts Colour Options

Part No Suffix	Colour
Blank	Black
BL	Blue
GN	Green
GY	Grey
LG	Light Grey
RD	Red
WH	White
YL	Yellow

#### Insert/Gland Nut Combinations

1	Insert and Gland Nut Coloured
2	Insert Only Coloured

e. g. PX0731/P/YL1 = Yellow insert and gland nut

### CONTACTS FOR 12 AND 25 POLE INSERTS



12 & 25 way contacts

- Crimp or Solder Pins and Sockets
- Gold Plated
- Current ratings:  
12 way: 5A, 50V  
25 way: 1A, 50V

### Contacts - Solder & Crimp for 12 and 25 pole

Contacts (for 25 pole) (Supplied in packs of 10)	Solder	Crimp
Pins	SA3180/1	SA3180
Sockets	SA3179/1	SA3179

Contacts (for 12 pole) (Supplied in packs of 10)	Solder	Crimp
Pins	SA3348/1	SA3348
Sockets	SA3347/1	SA3347

### ASSEMBLY TOOLS



PNo 13027 and 13170

- Crimp Tools for 3, 9, 12 and 25 pole crimp contacts
- Insertion/Extraction Tool for 25 pole contacts

Tools	
Crimp Tool (25 pole)	PNo. 13170
Crimp Tool (12 pole)	PNo. 14025
Positioner (12 pole)	PNo. 14025/5AMP
Crimp Tool (9 pole)	PNo. 13826
Crimp Tool (3 pole)	PNo. 14232
3 pole positioner	PNo. 14232/1
Insertion/Extraction Tool (25 pole)	PNo. 13027
Insertion/Extraction Tool (12 pole)	PNo. 13027/1
Insertion/Extraction Tool (3 pole)	PNo. 13027/3
Hex Cavities for BNC Inserts	
Centre Contact:	1.69 A/F (B.S. 'W'/ERMA XA)
Braid:	6.48 A/F (B.S. 'E'/ERMA XH)

### CABLE GLANDS



SA3253

- Pack of alternative cable glands to suit cables from 3.5 to 9mm dia.

### Cable Acceptance - Alternatives

Cable Diameter	Gland Part No.	Gland Colour	Additional Suffix
6-8mm	12023	Black	Standard for 2-12 pole
3.5-5mm	SA3426	Grey	Suffix /04†
5-7mm	12023/1	White	Suffix /05
7-9mm	12023/2	Yellow	Suffix /07*
Gland Pack	SA3253		Pack of 3 glands to suit cables 3.5-5mm, 5-7mm & 7-9mm dia†

\*Note: 7-9mm gland standard for 25 way, no suffix required.

†Includes additional black gland cage for 3.5-5mm dia. cable range.

To order connector with alternative cable gland add suffix to part no. e.g. PX0731/P/07 = PX0731 3 pin connector with cable gland to suit 7-9mm dia. cable.

### Cable Acceptance - Standard as supplied

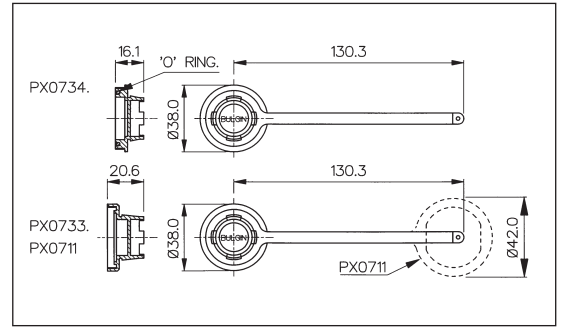
No. Contacts	Cable Diameter or Type
2-12 Pole	6-8mm
25 Pole	7-9mm
BNC 50	RG 58/CU, URM43, URM76
BNC 75	URM70

## Standard Buccaneer®

### SEALING CAP/ASSEMBLY TOOL



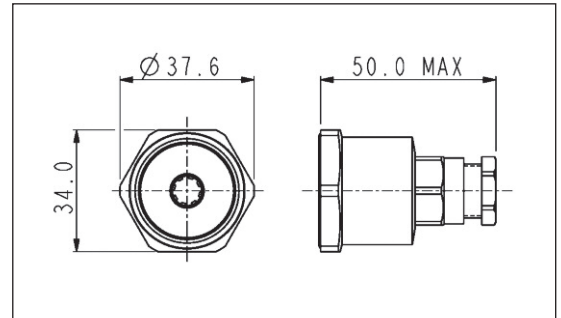
- Maintains IP Rating of Unmated Connectors
- Can be used to remove Inserts
- PX0734 for Flex Cable Connector
- PX0733 for In-line Flex, Front Panel, Bulkhead and Flange mount connectors
- PX0711 for PCB and Rear Panel Mount connectors



### REAR OF PANEL BACKSHELL



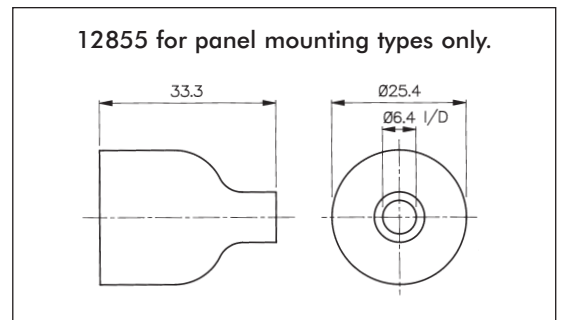
- Provides environmental seal to rear of panel
- Standard cable acceptance 6-8mm, 3.5 to 9mm with alternative glands
- For use on front panel mounting connectors
- Replaces mounting nut in panel connector



### PVC INSULATION BOOT



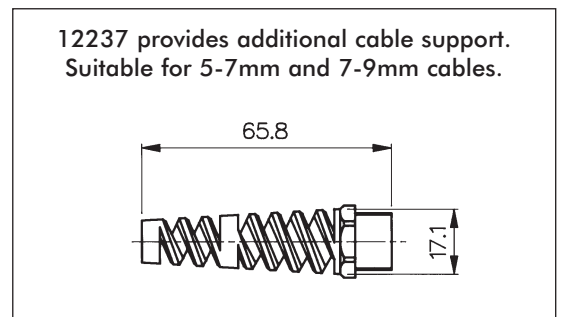
- Shock protection for rear of connector
- Flammability Rating UL94V-0
- Fits Front Panel Mount Versions only



### CABLE SUPPORT ACCESSORY



- Gives Extra Support to the Cable
- Suitable for 5-7mm and 7-9mm Cable Diameters



## Standard Buccaneer®

### PART NO SYSTEM

PX0xxx / x / xx / xx x

Body Styles

Contacts Type

P = Pin

S = Socket

Cable Acceptance or PCB/Rear Panel Mounting

Flex Cable and In-line Flex Connectors cable acceptance use:

**Blank** = 6-8mm (Black) standard for 2-12 pole

**04** = 3.5-5mm (Grey)

**05** = 5-7mm (White)

**07** = 7-9mm (Yellow) (standard for 25 way, no suffix required)

PCB (PX0707) and Rear Panel Mount connectors (PX0708 and PX0709) use:

**02** = 2 pole

**03** = 3 pole

**04** = 4 pole

**06** = 6 pole

**07** = 7 pole

**09** = 9 pole

**12** = 12 pole

**25** = 25 pole

Front Panel, Bulkhead and Flange Mount - not required:

Insert/Gland Nut Colour

**Blank** = Black

**LG** = Light Grey

**BL** = Blue

**RD** = Red

**GN** = Green

**WH** = White

**GY** = Grey

**YL** = Yellow

Insert/Gland Nut Colour Combination

**1** = Insert and Gland Nut Coloured

**2** = Insert only Coloured

Examples:

PX0707/P/06 = PCB Panel connector, pin contacts, 6 pole

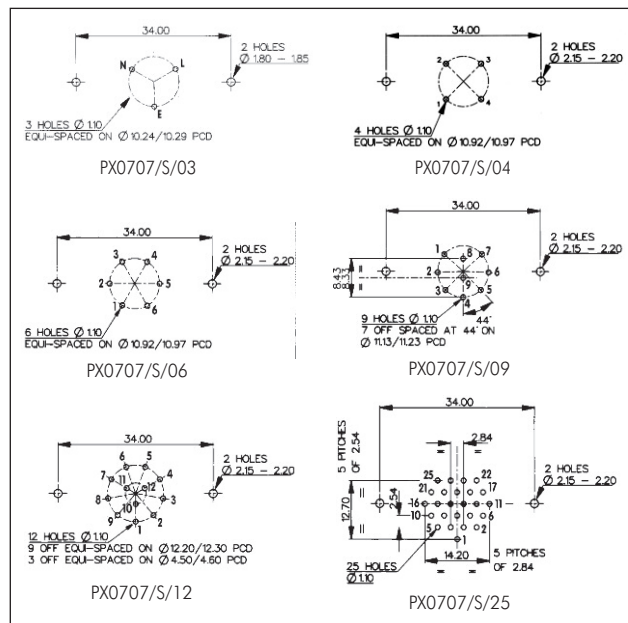
PX0731/S = Flex Cable connector, socket contacts, 3 pole

PX0732/P/07/BL2 = In-Line Flex Cable connector, pin contacts, 3 pole, 7-9mm cable acceptance, blue insert

### PCB LAYOUTS

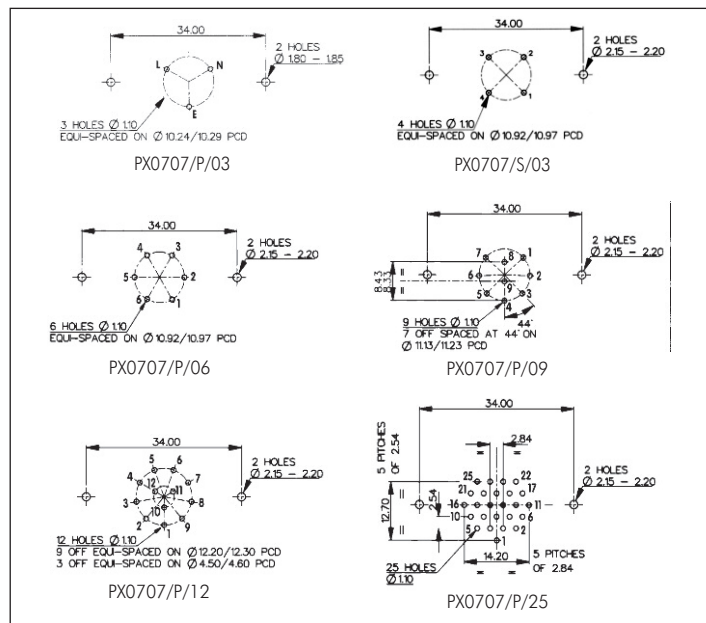
#### Sockets

Contact Nos viewed from rear of panel



#### Pins





Contact Nos viewed from rear of panel





### SPECIFICATION

#### Electrical:

No. Poles:	2, 3	4	6, 7	9	12	25
Current Rating:						
VDE, UL, CCC	12A	10A	5A	5A	5A	1A
CSA	10A	6A	3A	5A	5A	1A
Voltage Rating (ac/dc):	277V	277V	277V	150V	50V	50V
Contact Resistance:	<10mΩ   (2-9 Pole)					
	<5mΩ   (12 Pole)					
	<5mΩ   (25 Pole)					
Insulation Resistance:	>10 <sup>9</sup> MΩ @ 500V d.c. (2-9 Pole)					
AC Breakdown voltage:	4kV Pole - Pole (2-9 Pole)					
	6kV Poles - Panel (Low Profile Flange and Panel Types - 2-9 Pole)					
	7.5kV Poles - Panel (Other Types - 2-9 Pole)					
Operating Temp. Range:	-20°C to +70°C					
Approvals:	E93288					
UL 	LR80968-30					
CSA 	40023148					
VDE 	2011010203500391					
CCC 	2011010203500393					
	2011010203500394					
	2011010203500395					
	<i>Overmoulded cable assemblies approvals to customer requirements.</i>					

#### Material:

Body Mouldings:	Glass Filled Polyamide UL94HB
Inserts (2-25 pole):	Polyamide UL94V-0
PX0707	Polyamide UL94V-0
PX0708	Polyamide UL94V-0
PX0709	Polyamide UL94V-0
Overmoulded types:	
Body Mouldings:	Polyurethane
Flammability Rating:	UL94V-HB
Contacts:	
Screw Terminal:	Brass, Nickel Plated
Crimp (9 pole):	Copper Alloy, Tin Plated
Crimp/Solder (12 + 25 Pole):	Copper Alloy, Gold Plated (0.1µm on Nickel)
BNC inserts:	Brass, Nickel Plated
BNC contacts:	Brass, Silver Plated
<b>RoHS</b>	Compliant

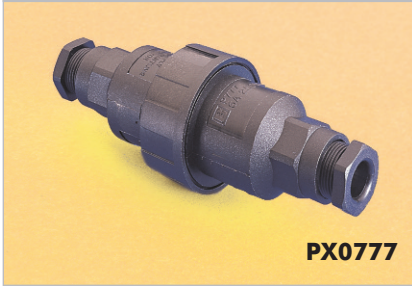
#### Mechanical:

Sealing:	IP68, BS 5490 : 1977 Tested @ 1.054kg/sq.cm. (15lb/sq.in.) 10m depth for 2 weeks.
	BSEN 60529 : 1992 Tested @ 9.84kg/sq.cm. (140lb/sq.in.) 100m depth for 12 hours.
	IP69K, DIN 40050-9
Cable Acceptance:	
2-12 Pole - standard gland:	6-8mm dia
2-12 Pole - alternative glands:	3.5-9mm dia
25 Pole - standard gland:	7-9mm dim
25 Pole - alternative glands:	3.5-7mm dim
BNC 50   :	RG 58/CU, URM43 & URM76
BNC 75   :	URM70
Contact Accommodation:	
2 and 3 pole screw terminals:	4mm <sup>2</sup> (12AWG) max
3 pole crimp:	1.0-1.5mm <sup>2</sup> (14-18AWG) max
4, 6 and 7 pole:	1.5mm <sup>2</sup> (16AWG) max
9 pole:	0.12-0.21mm <sup>2</sup> (24-26AWG)
12 pole:	0.32mm <sup>2</sup> (22-26AWG) max
25 pole:	0.12-0.21mm <sup>2</sup> (24-26AWG)
Terminations:	
2-7 Pole:	Screw Terminals
3 Pole:	Screw Terminals & Crimp
9 Pole:	Crimp Contacts
12 Pole:	Crimp & Solder Contacts
25 Pole:	Crimp & Solder Contacts
Tightening Torques:	
Flex Mounting/In-Line:	Gland Nut: 1.13Nm (10lbf.in.)
Panel Mounting:	Rear Fixing Nut: 1.7Nm (15lbf.in.)
	Front Fixing Nut: 1.7Nm (15lbf.in.)
Surface/Bulkhead and Low Profile Flange Mounting:	4 Fixing Screws (using washers supplied)
	0.34Nm (3lbf.in.)
Sealings Caps/Locking Ring:	1.13Nm (10lbf.in.)
Rear thread, Front Panel Connector:	M27 x 1.0-6H
Thread, Front Panel Connector:	M35 x 1.0-6H

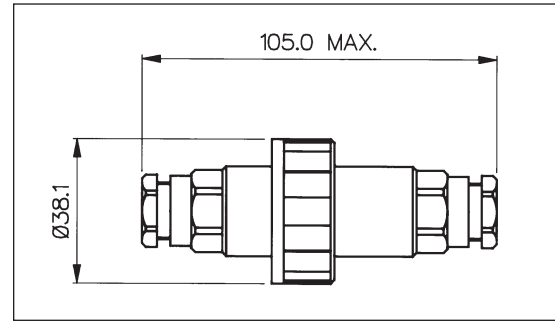


## Sealed In-Line Cable Joiner

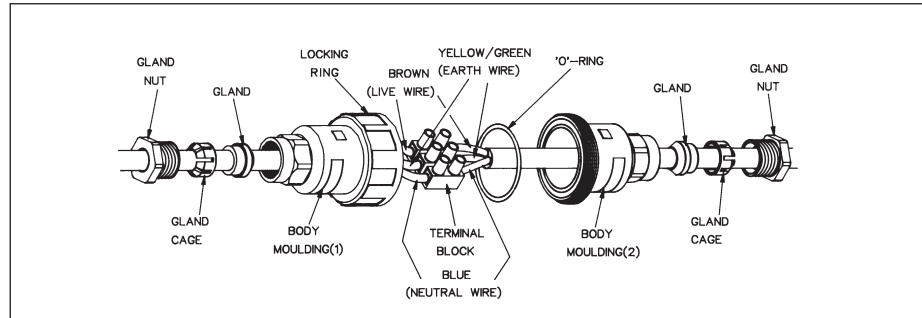
### CABLE JOINER



- IP68 Rating
- For Sealed In-Line Connections
- Standard Cable Acceptance 6-8mm
- Cable Range 3.5-9mm (using alternative glands)
- Supplied with 3 way Terminal Block
- Available Moulded in Black or Orange



BUCCANEER POWER



Specification	PX0777
Rating:	16A, 250V a.c.
Wire Termination:	3 way Terminal Block (2.5mm <sup>2</sup> -14 AWG max)
Cable Acceptance:	6-8mm dia alternative glands available on request
Material:	Glass Filled Polyamide UL94HB
Sealing:	IP68 to BSEN 60529 : 1992 1.054kg/sq.cm. (15lbs/sq.in.) 10m depth for 2 weeks
Operating Temp. Range:	-20°C to +70°C
Colour:	Black Orange (Add /OR to PNo.)
BNC Cable Types:	50 ohm – RG58/CU, URM43 & URM76 For BNC version of PX0777 add /50OHM to PNo.
<b>RoHS</b>	Compliant