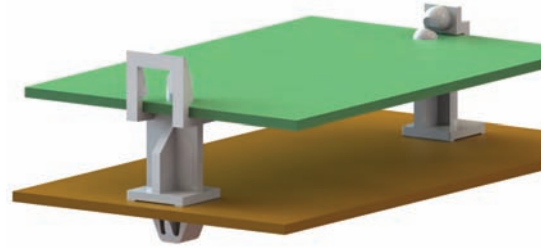


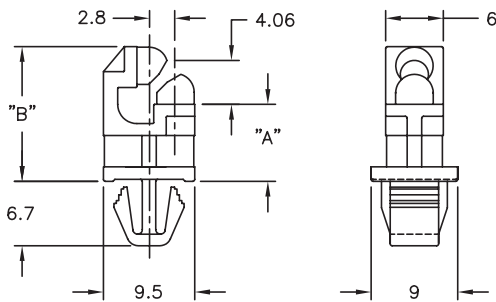
HLCBSE2 & PCBEHE2 Hinged Locking Circuit Board Support System

A

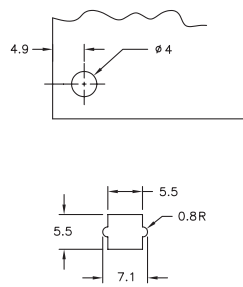
Standard Pack: 1000/Bag					
Material: UL94 V2 Nylon 6/6, RMS-01 Color: Natural	"A" Standoff Height	"B"	Material: UL94 V2 Nylon 6/6, RMS-01 Color: Natural	"A" Standoff Height	"B"
HLCBSE2-4M-01	4	10	PCBEHE2-4M-01	4	13.1
HLCBSE2-6M-01	6	12	PCBEHE2-6M-01	6	15.1
HLCBSE2-8M-01	8	14	PCBEHE2-8M-01	8	17.1
HLCBSE2-10M-01	10	16	PCBEHE2-10M-01	10	19.1
HLCBSE2-12M-01	12	18	PCBEHE2-12M-01	12	21.1
HLCBSE2-14M-01	14	20	PCBEHE2-14M-01	14	23.1
HLCBSE2-25M-01	25	31	PCBEHE2-25M-01	25	34.1
HLCBSE2-30M-01	30	36	PCBEHE2-30M-01	30	39.1



HLCBSE2

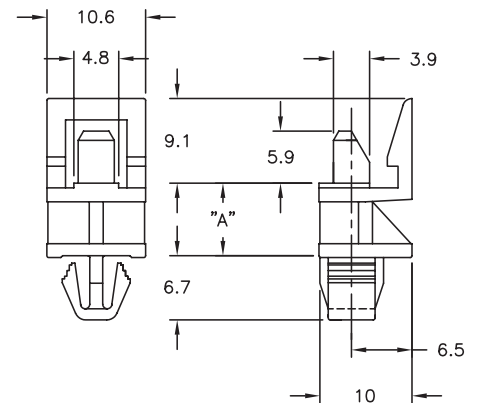


Top Hole: $\varnothing 4$
Panel Thickness: 1.6



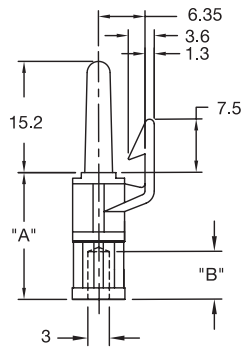
Bottom Hole: See Above
Panel Thickness: 1.2 - 1.8

PCBEHE2

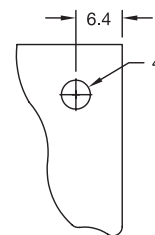


Standard Pack: 1000/Bag			
Material: UL94 V2 Nylon 6/6, RMS-01 Color: Natural	Material: UL94 V0 Nylon 6/6, RMS-19 Color: Natural	"A"	"B"
TEHCBS-4-01	TEHCBS-4-19	6.4	6.4
TEHCBS-5-01	TEHCBS-5-19	7.9	5.2
TEHCBS-6-01	TEHCBS-6-19	9.5	6.4
TEHCBS-8-01	TEHCBS-8-19	12.7	
TEHCBS-10-01	TEHCBS-10-19	15.9	
TEHCBS-12-01	TEHCBS-12-19	19.1	
TEHCBS-14-01	TEHCBS-14-19	22.2	
TEHCBS-16-01	TEHCBS-16-19	25.4	

Top Hole: 4 ± 0.08
Panel Thickness: 1.57



Mounting Hole



Bottom Hole: For Metal #6 Self-Tapping Screw

TEHCBS Edge Holding Circuit Board Support

