

Mains Plug

PEW63/125_pp Series

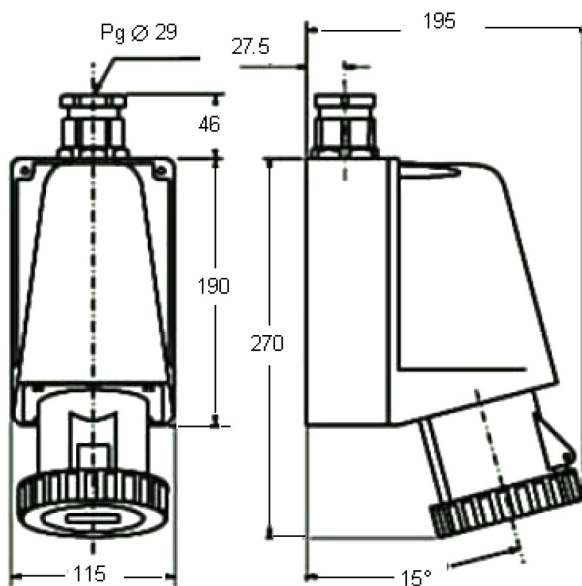
pro-POWER



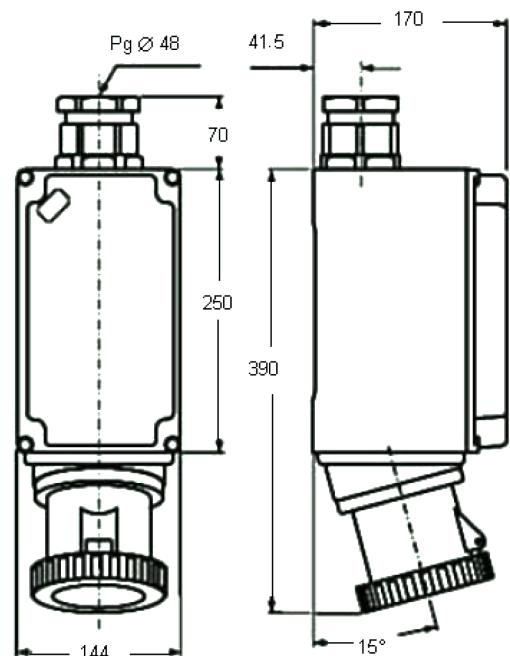
Features:

- In compliance with EN 60309-1 and EN 60309-2 standards
- Enclosure, insert and spring lid in insulating, thermoplastic, self-extinguishing material
- RAL 7035 grey enclosure, spring lid colour coded according to the operating voltage
- Supplied with entry gland and locknut
- Spring lid with locking ring and gasket, entry with cable gland
- Cable anchorage with retained screws
- 63A, 125A: With pilot contact
- Nickel-plated contacts, on request for 16A and 32A (standard on 63A and 125A)
- Degree of protection IP44 and IP67 (EN 60529)

63A



125A



Dimensions : Millimetres

www.element14.com
www.farnell.com
www.newark.com
www.cpc.co.uk

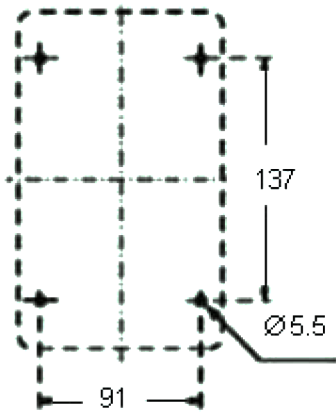
pro-POWER

Mains Plug

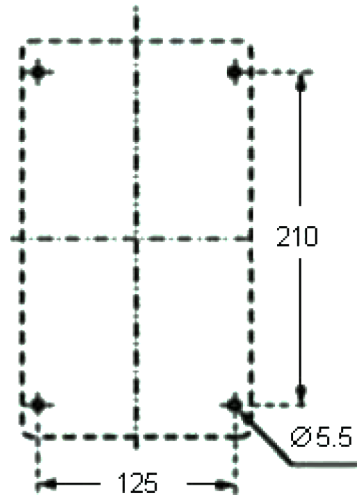
PEW63/125_pp Series

pro-POWER

63A



125A



Part Number Table

Description	No. of Positions	Part Number
Socket, 240V, Wall Mount	2P + E	PEW6363PPA
Socket, 415V, Wall Mount	3P + E	PEW6364PPA
Socket, 415V, 3Pole, Wall Mount	3P + N + E	PEW6365PPA
Socket, 415V, Wall Mount	3P + E	PEW12564PPB

Important Notice : This data sheet and its contents (the "Information") belong to the members of the Premier Farnell group of companies (the "Group") or are licensed to it. No licence is granted for the use of it other than for information purposes in connection with the products to which it relates. No licence of any intellectual property rights is granted. The Information is subject to change without notice and replaces all data sheets previously supplied. The Information supplied is believed to be accurate but the Group assumes no responsibility for its accuracy or completeness, any error in or omission from it or for any use made of it. Users of this data sheet should check for themselves the Information and the suitability of the products for their purpose and not make any assumptions based on information included or omitted. Liability for loss or damage resulting from any reliance on the Information or use of it (including liability resulting from negligence or where the Group was aware of the possibility of such loss or damage arising) is excluded. This will not operate to limit or restrict the Group's liability for death or personal injury resulting from its negligence. pro-POWER is the registered trademark of the Group. © Premier Farnell plc 2012.

www.element14.com
 www.farnell.com
 www.newark.com
 www.cpc.co.uk

pro-POWER