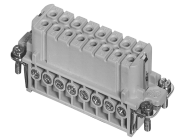


heavy|mate® - C146 A Contact insert screw termination, with wire protection, female insert

Part No. C146 10B016 102 4



Series Heavy duty connectors heavy|mate® - C 146
 Subseries Heavy duty connector heavy|mate® - C146 A

View represents all available contact positions.

COMMON CHARACTERISTICS		
No. of contacts		16 + PE
Version		with wire protection
Weight male insert		68 g
Weight female insert		73 g
ELECTRICAL CHARACTERISTICS		
Rated voltage	DIN EN 60664-1 / IEC 60664-1	250V
Rated impulse voltage	DIN EN 60664-1 / IEC 60664-1	4000V
Rated current at 40°C		14 A
Voltage proof	DIN EN 60512-2, Test 4a / IEC 60512-2, Test 4a	2.800 V
Installation category	DIN EN 60664-1 / IEC 60664-1	III
Insulation group	DIN EN 60664-1 / IEC 60664-1	III b
Insulation resistance	DIN EN 60512-2, Test 3a / IEC 60512-2, Test 3a	≥ 10 ¹²
Contact resistance	DIN EN 60512-2, Test 2a / IEC 60512-2 Test 2a	≤ 5 m
Current carrying capacity	DIN EN 60512-3, Test 5b / IEC 60512-2 Test 5b	see derating curves
Pollution degree	DIN EN 60664-1 / IEC 60664-1	3
CLIMATICAL CHARACTERISTICS		
Climatic category	DIN EN 60068-1 / IEC 60068-1	40 / 100 / 21
Upper temperature		+ 100 °C / 1000 h
Lower temperatur		- 40 °C / 16 h
MECHANICAL CHARACTERISTICS		
IP degree of protection	DIN EN 60529 / IEC 60529	IP20 mated
Mechanical lifetime	IEC 60512-5; Test 9 a	≥ 500 mating cycles
MATERIALS		
Contacts		CuZn
Insert		PBT
Contact plating		silver plated
FURTHER CHARACTERISTICS		
Termination		screw
Wire gauge		0,25 - 2,5 mm ²



250 V, 10 A



250 V, 14 A



600 V, 10 A
16 A
20 A

heavy|mate® - C146 A Contact insert screw termination, with wire protection, female insert

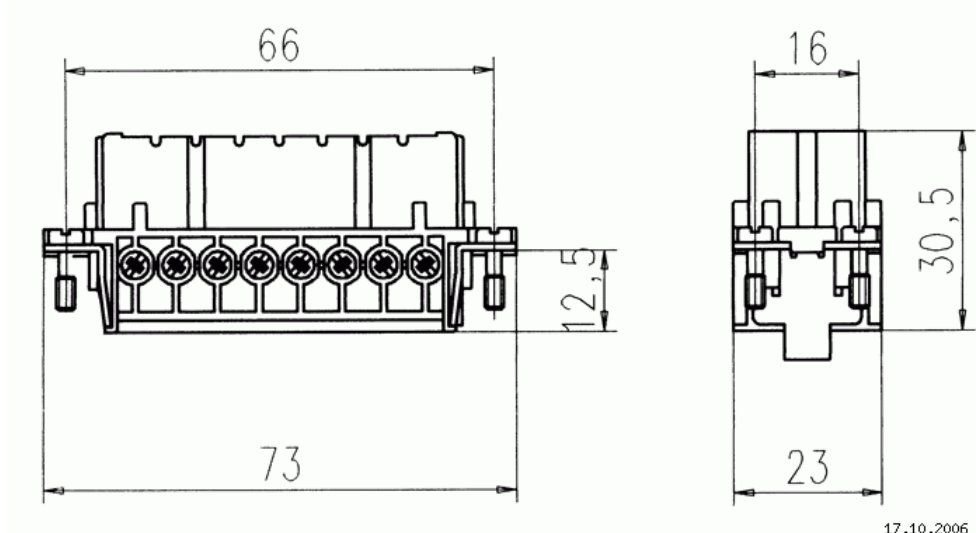
Part No. C146 10B016 102 4

Series Heavy duty connectors heavy|mate® - C 146

Subseries Heavy duty connector heavy|mate® - C146 A



View represents all available contact positions.



Drawing Dimensions in mm (Inch)

17.10.2006

heavy|mate® - C146 A Contact insert screw termination, with wire protection, female insert

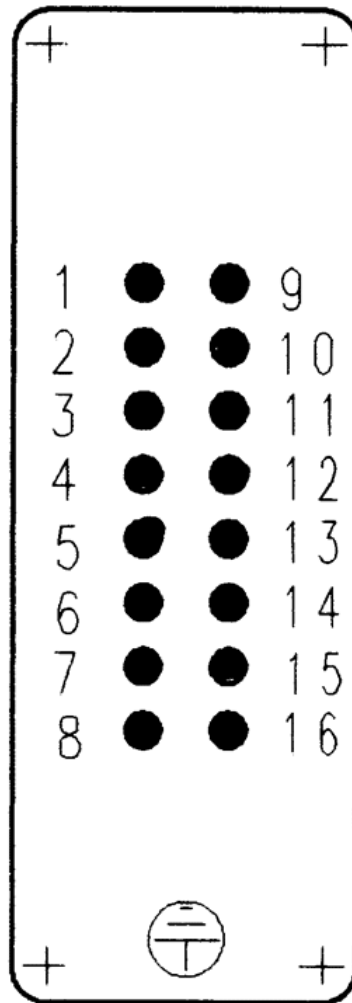
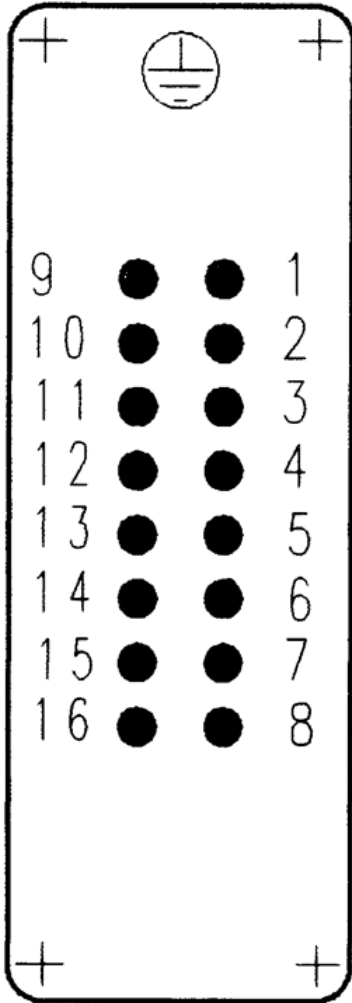
Part No. C146 10B016 102 4

Series Heavy duty connectors heavy|mate® - C 146

Subseries Heavy duty connector heavy|mate® - C146 A



View represents all available contact positions.



Contact arrangement