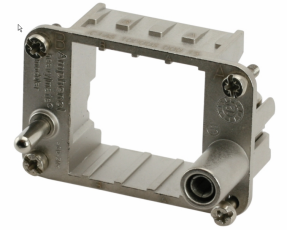


heavy|mate® - C146 F

Part No. C146 10P006 000 15

Series Heavy duty connectors heavy|mate® - C 146

Subseries Heavy duty connector heavy|mate® - C146 F



## COMMON CHARACTERISTICS

Colour		black
Flammability		V-0

## ELECTRICAL CHARACTERISTICS

Installation category	DIN EN 60664-1 / IEC 60664-1	III
Insulation group	DIN EN 60664-1 / IEC 60664-1	II
Insulation resistance	DIN EN 60512-3-1, Test 3a / IEC 60512-3-1, Test 3a	$\geq 10^{10} \Omega$
Contact resistance	DIN EN 60512-2-1, Test 2a / IEC 60512-2-1, Test 2a	$< 5 \text{ m}\Omega$
Pollution degree	DIN EN 60664-1 / IEC 60664-1	3

# Amphenol

Amphenol-Tuchel Electronics GmbH

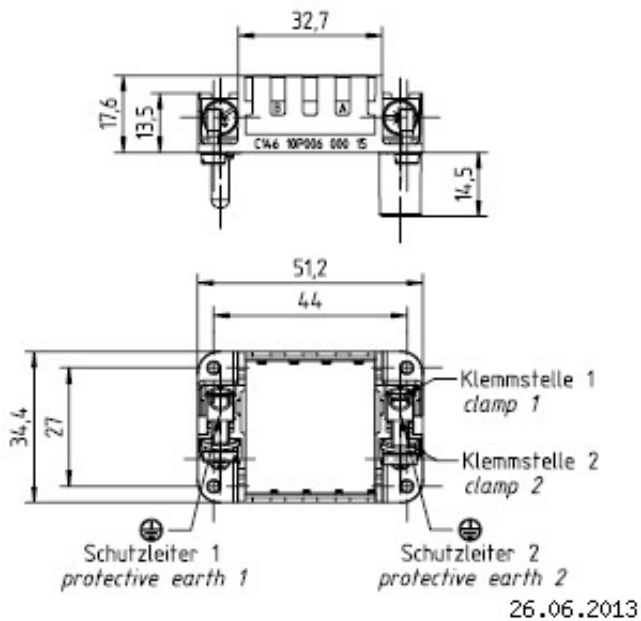
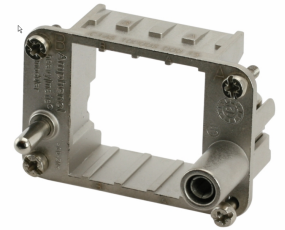
Data sheet

heavy|mate® - C146 F

Part No. C146 10P006 000 15

Series Heavy duty connectors heavy|mate® - C 146

Subseries Heavy duty connector heavy|mate® - C146 F



Drawing Dimensions in mm (Inch)

Warranties, Liability The information on this data sheet is provided "e;as is"e; and without warranty of merchantability or fitness for any particular purpose. While the information provided is believed to be accurate, it may include errors or inaccuracies. In no event shall Amphenol-Tuchel Electronics GmbH be liable for any special, indirect or consequential damages relating to this material, unless caused by gross negligence or law infringement. We reserve the right to change the design due to improvement in quality, development or production requirements. Copyrights © Copyright Amphenol-Tuchel Electronics GmbH, Heilbronn, Germany. All rights reserved. Amphenol-Tuchel Electronic GmbH retains copyright in the entire text and graphic content of this data sheet. Modification, distribution, reposting or making available on another server any of our web content without the written permission of Amphenol-Tuchel is not allowed. Amphenol-Tuchel Electronics GmbH • August-Haeusser-Str. 10 • 74080 Heilbronn • Germany • Phone +49 7131 929-0 • Fax +49 7131 929-486 • info@amphenol.de • www.amphenol.info