

Circular Connectors C 091 Accessories, Protective cover for female receptacles, brass nickel plated, L = 60

Part No. C 091 00V000 130 2

Series Circular Connectors C091

Subseries Circular Connector C 091 Accessories



COMMON CHARACTERISTICS

Length		60
--------	--	----

ELECTRICAL CHARACTERISTICS

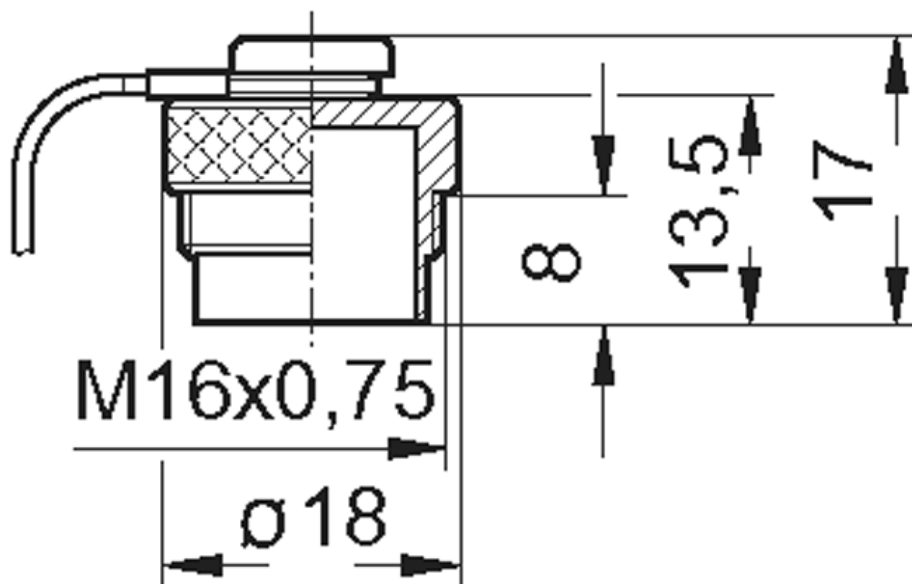
Contact resistance	DIN EN 60512-2-1, Test 2a / IEC 60512-2-1, Test 2a	0 m
--------------------	--	-----

Circular Connectors C 091 Accessories, Protective cover for female receptacles, brass nickel plated, L = 60

Part No. C 091 00V000 130 2

Series Circular Connectors C091

Subseries Circular Connector C 091 Accessories



Drawing Dimensions in mm (Inch)