

Number of contacts

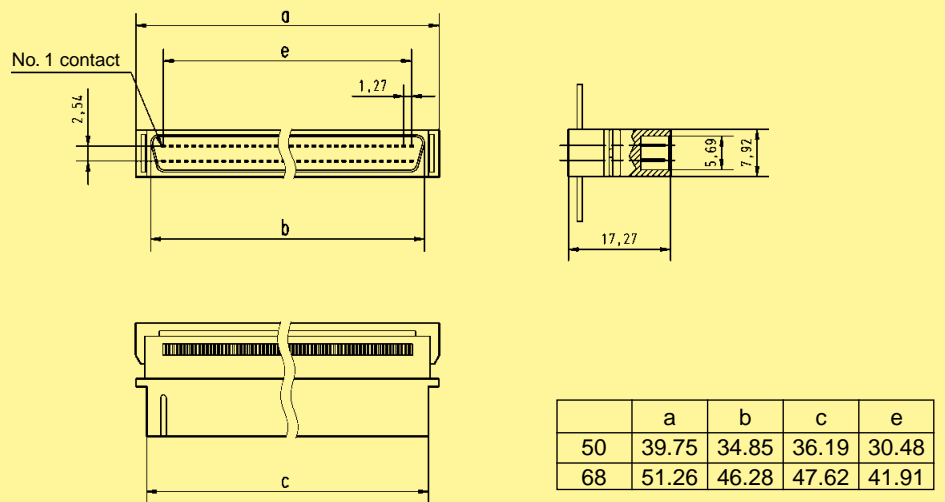
50-68



Connectors with IDC termination

Identification	No. of contacts	Part No.	
Male connectors with insulation displacement termination for IDC flat cable pitch 0.635 mm AWG 30 Strain relief order separately		Male connector	Strain relief
	50	60 06 050 5440	60 06 050 9001
	68	60 06 068 5440	60 06 068 9001

Dimensions



Strain relief

