

FAN3121 / FAN3122

Single 9-A High-Speed, Low-Side Gate Driver

Features

- Industry-Standard Pin-out with Enable Input
- 4.5-V to 18-V Operating Range
- 11.4 A Peak Sink at $V_{DD} = 12\text{ V}$
- 9.7-A Sink / 7.1-A Source at $V_{OUT} = 6\text{ V}$
- Inverting Configuration (FAN3121) and Non-Inverting Configuration (FAN3122)
- Internal Resistors Turn Driver Off If No Inputs
- 23-ns / 19-ns Typical Rise/Fall Times (10 nF Load)
- 20-ns Typical Propagation Delay Time
- Choice of TTL or CMOS Input Thresholds
- MillerDrive™ Technology
- Available in Thermally Enhanced 3x3 mm 8-Lead MLP or 8-Lead SOIC Package (Pb-Free Finish)
- Rated from -40°C to $+125^{\circ}\text{C}$
- Automotive Qualified to AEC-Q100 (F085 Versions)

Applications

- Synchronous Rectifier Circuits
- High-Efficiency MOSFET Switching
- Switch-Mode Power Supplies
- DC-to-DC Converters
- Motor Control
- Automotive-Qualified Systems (F085 Versions)

Description

The FAN3121 and FAN3122 MOSFET drivers are designed to drive N-channel enhancement MOSFETs in low-side switching applications by providing high peak current pulses. The drivers are available with either TTL input thresholds (FAN312xT) or V_{DD} -proportional CMOS input thresholds (FAN312xC). Internal circuitry provides an under-voltage lockout function by holding the output low until the supply voltage is within the operating range.

FAN312x drivers incorporate the MillerDrive™ architecture for the final output stage. This bipolar / MOSFET combination provides the highest peak current during the Miller plateau stage of the MOSFET turn-on / turn-off process.

The FAN3121 and FAN3122 drivers implement an enable function on pin 3 (EN), previously unused in the industry-standard pin-out. The pin is internally pulled up to V_{DD} for active HIGH logic and can be left open for standard operation.

The commercial FAN3121/22 is available in a 3x3 mm 8-lead thermally-enhanced MLP package or an 8-lead SOIC package. The AEC-Q100 automotive-qualified versions are available in the 8-lead SOIC package.

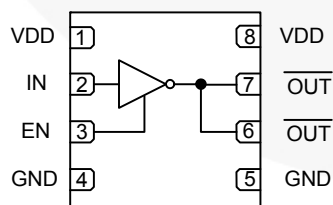


Figure 1. FAN3121 Pin Configuration

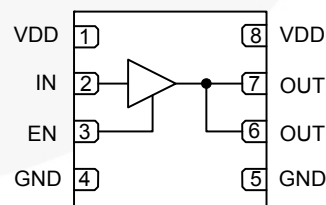


Figure 2. FAN3122 Pin Configuration

Ordering Information

| Part Number | Logic | Input Threshold | Package | Packing Method | Quantity per Reel |
|--------------------------------|---------------------------------|-----------------|--------------|----------------|-------------------|
| FAN3121CMPX | Inverting Channels + Enable | CMOS | 3x3 mm MLP-8 | Tape & Reel | 3,000 |
| FAN3121CMX | | | SOIC-8 | Tape & Reel | 2,500 |
| FAN3121CMX_F085 ⁽¹⁾ | | | SOIC-8 | Tape & Reel | 2,500 |
| FAN3121TMPX | | TTL | 3x3 mm MLP-8 | Tape & Reel | 3,000 |
| FAN3121TMX | | | SOIC-8 | Tape & Reel | 2,500 |
| FAN3121TMX_F085 ⁽¹⁾ | | | SOIC-8 | Tape & Reel | 2,500 |
| FAN3122CMPX | Non-Inverting Channels + Enable | CMOS | 3x3 mm MLP-8 | Tape & Reel | 3,000 |
| FAN3122CMX | | | SOIC-8 | Tape & Reel | 2,500 |
| FAN3122CMX_F085 ⁽¹⁾ | | | SOIC-8 | Tape & Reel | 2,500 |
| FAN3122TMPX | | TTL | 3x3 mm MLP-8 | Tape & Reel | 3,000 |
| FAN3122TMX | | | SOIC-8 | Tape & Reel | 2,500 |
| FAN3122TMX_F085 ⁽¹⁾ | | | SOIC-8 | Tape & Reel | 2,500 |

All standard Fairchild Semiconductor products are RoHS compliant and many are also “Green” or going green. Green means the products are RoHS compliant AND they have limits on additional substances of Chlorine, Bromine and Antimony. For additional information on Fairchild’s “green” Eco Status, please visit: http://www.fairchildsemi.com/company/green/rohs_green.html.

Note:

1. Qualified to AEC-Q100.

Package Outlines

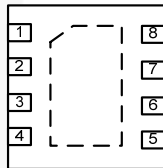


Figure 3. 3x3 mm MLP-8 (Top View)

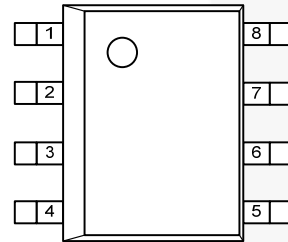


Figure 4. SOIC-8 (Top View)

Thermal Characteristics⁽²⁾

| Package | Θ_{JL} ⁽³⁾ | Θ_{JT} ⁽⁴⁾ | Θ_{JA} ⁽⁵⁾ | Ψ_{JB} ⁽⁶⁾ | Ψ_{JT} ⁽⁷⁾ | Units |
|---|------------------------------|------------------------------|------------------------------|----------------------------|----------------------------|-------|
| 8-Lead 3x3 mm Molded Leadless Package (MLP) | 1.2 | 64 | 42 | 2.8 | 0.7 | °C/W |
| 8-Pin Small Outline Integrated Circuit (SOIC) | 38 | 29 | 87 | 41 | 2.3 | °C/W |

Notes:

2. Estimates derived from thermal simulation; actual values depend on the application.
3. Θ_{JL} (Θ_{JL}): Thermal resistance between the semiconductor junction and the bottom surface of all the leads (including any thermal pad) that are typically soldered to a PCB.
4. Θ_{JT} (Θ_{JT}): Thermal resistance between the semiconductor junction and the top surface of the package, assuming it is held at a uniform temperature by a top-side heatsink.
5. Θ_{JA} (Θ_{JA}): Thermal resistance between junction and ambient, dependent on the PCB design, heat sinking, and airflow. The value given is for natural convection with no heatsink, as specified in JEDEC standards JESD51-2, JESD51-5, and JESD51-7, as appropriate.
6. Ψ_{JB} (Ψ_{JB}): Thermal characterization parameter providing correlation between semiconductor junction temperature and an application circuit board reference point for the thermal environment defined in Note 5. For the MLP-8 package, the board reference is defined as the PCB copper connected to the thermal pad and protruding from either end of the package. For the SOIC-8 package, the board reference is defined as the PCB copper adjacent to pin 6.
7. Ψ_{JT} (Ψ_{JT}): Thermal characterization parameter providing correlation between the semiconductor junction temperature and the center of the top of the package for the thermal environment defined in Note 5.

Pin Definitions

| FAN3121 | FAN3122 | Name | Description |
|---------|---------|-------------------------|---|
| 3 | 3 | EN | Enable Input. Pull pin LOW to inhibit driver. EN has logic thresholds for both TTL and CMOS IN thresholds. |
| 4, 5 | 4, 5 | GND | Ground. Common ground reference for input and output circuits. |
| 2 | 2 | IN | Input. |
| | 6, 7 | OUT | Gate Drive Output. Held LOW unless required input is present and V_{DD} is above the UVLO threshold. |
| 6, 7 | | $\overline{\text{OUT}}$ | Gate Drive Output (inverted from the input). Held LOW unless required input is present and V_{DD} is above the UVLO threshold. |
| 1, 8 | 1, 8 | V_{DD} | Supply Voltage. Provides power to the IC. |
| | | P1 | Thermal Pad (MLP only). Exposed metal on the bottom of the package; may be left floating or connected to GND; NOT suitable for carrying current. |

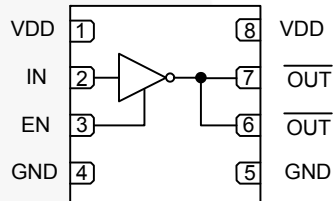


Figure 5. FAN3121 Pin Assignments (Repeated)

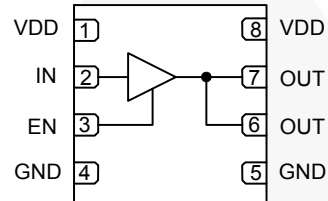


Figure 6. FAN3122 Pin Assignments (Repeated)

Output Logic

| FAN3121 | | |
|------------------|------------------|-------------------------|
| EN | IN | $\overline{\text{OUT}}$ |
| 0 | 0 | 0 |
| 0 | 1 ⁽⁸⁾ | 0 |
| 1 ⁽⁸⁾ | 0 | 1 |
| 1 ⁽⁸⁾ | 1 ⁽⁸⁾ | 0 |

| FAN3122 | | |
|------------------|------------------|-----|
| EN | IN | OUT |
| 0 | 0 ⁽⁸⁾ | 0 |
| 0 | 1 | 0 |
| 1 ⁽⁸⁾ | 0 ⁽⁸⁾ | 0 |
| 1 ⁽⁸⁾ | 1 | 1 |

Note:

8. Default input signal if no external connection is made.

Block Diagram

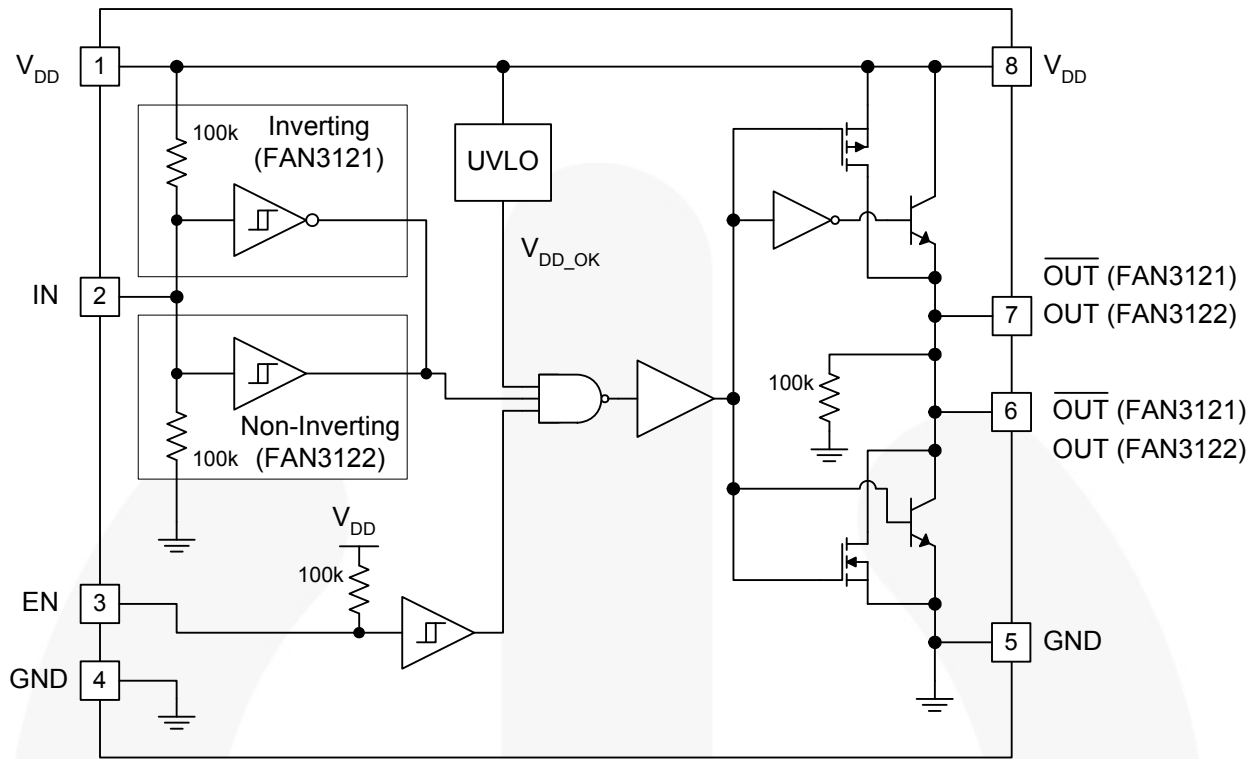


Figure 7. Block Diagram

Absolute Maximum Ratings

Stresses exceeding the absolute maximum ratings may damage the device. The device may not function or be operable above the recommended operating conditions and stressing the parts to these levels is not recommended. In addition, extended exposure to stresses above the recommended operating conditions may affect device reliability. The absolute maximum ratings are stress ratings only.

| Symbol | Parameter | Min. | Max. | Unit |
|-----------|---|-----------|----------------|------|
| V_{DD} | V_{DD} to GND | -0.3 | 20.0 | V |
| V_{EN} | EN to GND | GND - 0.3 | $V_{DD} + 0.3$ | V |
| V_{IN} | IN to GND | GND - 0.3 | $V_{DD} + 0.3$ | V |
| V_{OUT} | OUT to GND | GND - 0.3 | $V_{DD} + 0.3$ | V |
| T_L | Lead Soldering Temperature (10 Seconds) | | +260 | °C |
| T_J | Junction Temperature | -55 | +150 | °C |
| T_{STG} | Storage Temperature | -65 | +150 | °C |

Recommended Operating Conditions

The Recommended Operating Conditions table defines the conditions for actual device operation. Recommended operating conditions are specified to ensure optimal performance to the datasheet specifications. Fairchild does not recommend exceeding them or designing to Absolute Maximum Ratings.

| Symbol | Parameter | Min. | Max. | Unit |
|----------|-------------------------------|------|----------|------|
| V_{DD} | Supply Voltage Range | 4.5 | 18.0 | V |
| V_{EN} | Enable Voltage EN | 0 | V_{DD} | V |
| V_{IN} | Input Voltage IN | 0 | V_{DD} | V |
| T_A | Operating Ambient Temperature | -40 | +125 | °C |

Electrical Characteristics

Unless otherwise noted, $V_{DD}=12\text{ V}$ and $T_J=-40^\circ\text{C}$ to $+125^\circ\text{C}$. Currents are defined as positive into the device and negative out of the device.

| Symbol | Parameter | Conditions | Min. | Typ. | Max. | Unit |
|--|---|-----------------------|------|------|-------|---------------|
| Supply | | | | | | |
| V_{DD} | Operating Range | | 4.5 | | 18.0 | V |
| I_{DD} | Supply Current, Inputs / EN Not Connected | TTL | | 0.65 | 0.90 | mA |
| | | CMOS ⁽⁹⁾ | | 0.58 | 0.85 | |
| V_{ON} | Turn-On Voltage | | 3.5 | 4.0 | 4.3 | V |
| V_{OFF} | Turn-Off Voltage | | 3.30 | 3.75 | 4.10 | V |
| FAN3121TMX_F085, FAN3122TMX_F085 (Automotive-Qualified Versions) | | | | | | |
| V_{OFF} | Turn-Off Voltage ⁽¹³⁾ | | 3.25 | 3.75 | 4.15 | V |
| Inputs (TTL, FAN312xT)⁽¹⁰⁾ | | | | | | |
| V_{IL_T} | INx Logic Low Threshold | | 0.8 | 1.0 | | V |
| V_{IH_T} | INx Logic High Threshold | | | 1.7 | 2.0 | V |
| V_{HYS_T} | TTL Logic Hysteresis Voltage | | 0.40 | 0.70 | 0.85 | V |
| FAN3121TMX, FAN3122TMX | | | | | | |
| I_{IN+} | Non-Inverting Input Current | IN from 0 to V_{DD} | -1 | | 175 | μA |
| I_{IN-} | Inverting Input Current | IN from 0 to V_{DD} | -175 | | 1 | μA |
| FAN3121TMX_F085, FAN3122TMX_F085 (Automotive-Qualified Versions) | | | | | | |
| I_{INX_T} | Non-inverting Input Current ⁽¹³⁾ | IN=0 V | -1.5 | | 1.5 | μA |
| I_{INX_T} | Non-inverting Input Current ⁽¹³⁾ | IN= V_{DD} | 90 | 120 | 175.0 | μA |
| I_{INX_T} | Inverting Input Current ⁽¹³⁾ | IN=0 V | -175 | -120 | -90 | μA |
| I_{INX_T} | Inverting Input Current ⁽¹³⁾ | IN= V_{DD} | -1.5 | | 1.5 | μA |
| Inputs (CMOS, FAN312xC)⁽¹⁰⁾ | | | | | | |
| V_{IL_C} | INx Logic Low Threshold | | 30 | 38 | | $\%V_{DD}$ |
| V_{IH_C} | INx Logic High Threshold | | | 55 | 70 | $\%V_{DD}$ |
| V_{HYS_C} | CMOS Logic Hysteresis Voltage | | 12 | 17 | 24 | $\%V_{DD}$ |
| FAN3121CMX, FAN3122CMX | | | | | | |
| I_{IN+} | Non-Inverting Input Current | IN from 0 to V_{DD} | -1 | | 175 | μA |
| I_{IN-} | Inverting Input Current | IN from 0 to V_{DD} | -175 | | 1 | μA |
| FAN3121CMX_F085, FAN3122CMX_F085 (Automotive-Qualified Versions) | | | | | | |
| I_{INX_C} | Non-Inverting Input Current ⁽¹³⁾ | IN=0 V | -1.5 | | 1.5 | μA |
| I_{INX_C} | Non-Inverting Input Current ⁽¹³⁾ | IN= V_{DD} | 90 | 120 | 175 | μA |
| I_{INX_C} | Inverting Input Current ⁽¹³⁾ | IN=0 V | -175 | -120 | -90 | μA |
| I_{INX_C} | Inverting Input Current ⁽¹³⁾ | IN= V_{DD} | -1.5 | | 1.5 | μA |
| ENABLE (FAN3121, FAN3122) | | | | | | |
| V_{ENL} | Enable Logic Low Threshold | EN from 5 V to 0 V | 1.2 | 1.6 | 2.0 | V |
| V_{ENH} | Enable Logic High Threshold | EN from 0 V to 5 V | 1.8 | 2.2 | 2.6 | V |
| V_{HYS_T} | TTL Logic Hysteresis Voltage | | 0.2 | 0.6 | 0.8 | V |
| R_{PU} | Enable Pull-up Resistance | | 68 | 100 | 134 | k Ω |
| t_{D1}, t_{D2} | Propagation Delay, CMOS EN ⁽¹¹⁾ | | 8 | 17 | 27 | ns |
| t_{D1}, t_{D2} | Propagation Delay, TTL EN ⁽¹¹⁾ | | 14 | 21 | 33 | ns |

Continued on the following page...

Electrical Characteristics (Continued)

Unless otherwise noted, $V_{DD}=12\text{ V}$ and $T_J=-40^\circ\text{C}$ to $+125^\circ\text{C}$. Currents are defined as positive into the device and negative out of the device.

| Symbol | Parameter | Conditions | Min. | Typ. | Max. | Unit |
|--|---|--|------|------|------|------|
| FAN3121CMX_F085, FAN3122CMX_F085 (Automotive-Qualified Versions) | | | | | | |
| t_{D1}, t_{D2} | Propagation Delay, COMS EN ⁽¹³⁾ | | 8 | 17 | 33 | ns |
| Outputs | | | | | | |
| I_{SINK} | OUT Current, Mid-Voltage, Sinking ⁽¹²⁾ | OUT at $V_{DD}/2$, $C_{LOAD}=1.0\ \mu\text{F}$, $f=1\ \text{kHz}$ | | 9.7 | | A |
| I_{SOURCE} | OUT Current, Mid-Voltage, Sourcing ⁽¹²⁾ | OUT at $V_{DD}/2$, $C_{LOAD}=1.0\ \mu\text{F}$, $f=1\ \text{kHz}$ | | 7.1 | | A |
| I_{PK_SINK} | OUT Current, Peak, Sinking ⁽¹²⁾ | $C_{LOAD}=1.0\ \mu\text{F}$, $f=1\ \text{kHz}$ | | 11.4 | | A |
| I_{PK_SOURCE} | OUT Current, Peak, Sourcing ⁽¹²⁾ | $C_{LOAD}=1.0\ \mu\text{F}$, $f=1\ \text{kHz}$ | | 10.6 | | A |
| t_{RISE} | Output Rise Time ⁽¹¹⁾ | $C_{LOAD}=10\ \text{nF}$ | 18 | 23 | 29 | ns |
| t_{FALL} | Output Fall Time ⁽¹¹⁾ | $C_{LOAD}=10\ \text{nF}$ | 11 | 19 | 27 | ns |
| t_{D1}, t_{D2} | Output Propagation Delay, CMOS Inputs ⁽¹¹⁾ | $0 - 12\ V_{IN}$, $1\ \text{V/ns}$ Slew Rate | 9 | 18 | 28 | ns |
| t_{D1}, t_{D2} | Output Propagation Delay, TTL Inputs ⁽¹¹⁾ | $0 - 5\ V_{IN}$, $1\ \text{V/ns}$ Slew Rate | 9 | 23 | 35 | ns |
| I_{RVS} | Output Reverse Current Withstand ⁽¹²⁾ | | 1500 | | | mA |
| FAN3121xMX_F085, FAN3122xMX_F085 (Automotive-Qualified Versions) | | | | | | |
| t_{D1}, t_{D2} | Output Propagation Delay, CMOS Inputs ⁽¹³⁾ | $0 - 12\ V_{IN}$, $1\ \text{V/ns}$ Slew Rate | 9 | 18 | 35 | ns |
| V_{OH} | High Level Output Voltage ⁽¹³⁾ | $V_{OH}=V_{DD}-V_{OUT}$, $I_{OUT}=-1\ \text{mA}$ | | 15 | 35 | mV |
| V_{OL} | Low Level Output Voltage ⁽¹³⁾ | $I_{OUT}=1\ \text{mA}$ | | 10 | 25 | mV |

Notes:

- 9. Lower supply current due to inactive TTL circuitry.
- 10. EN inputs have modified TTL thresholds; refer to the ENABLE section.
- 11. See *Timing Diagrams of Figure 8 and Figure 9*.
- 12. Not tested in production.
- 13. Automotive-qualified F085 version specifications.

Timing Diagrams

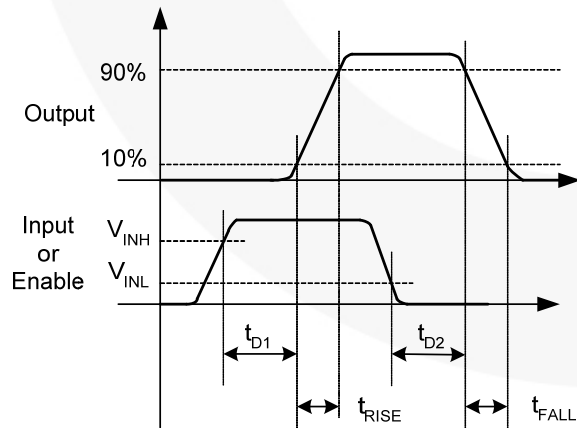


Figure 8. Non-Inverting

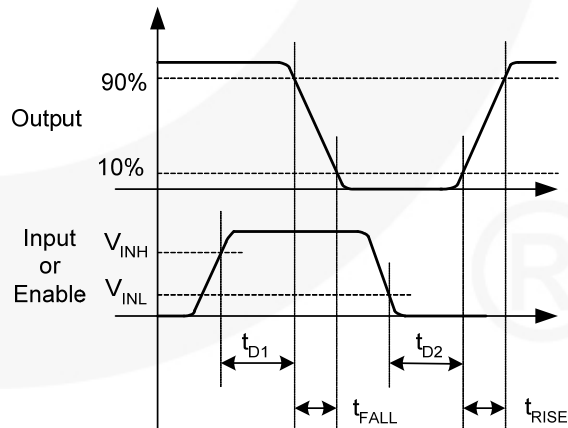


Figure 9. Inverting

Typical Performance Characteristics

Typical characteristics are provided at 25°C and $V_{DD}=12\text{ V}$ unless otherwise noted.

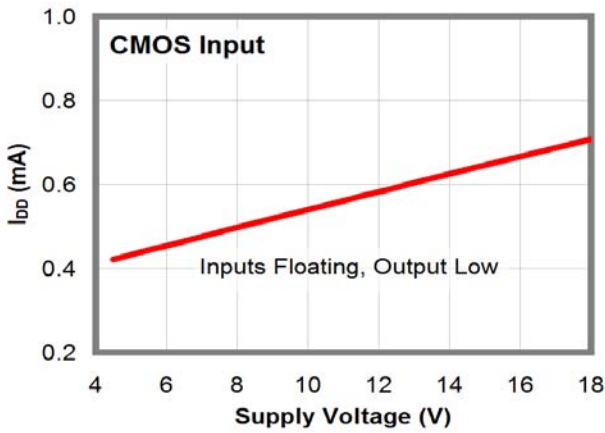


Figure 10. I_{DD} (Static) vs. Supply Voltage⁽¹⁴⁾

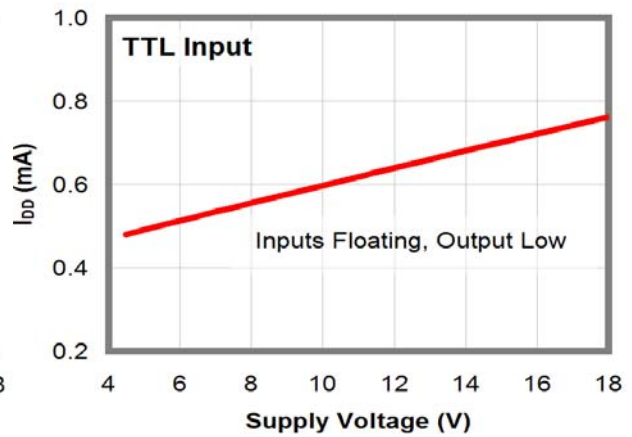


Figure 11. I_{DD} (Static) vs. Supply Voltage⁽¹⁴⁾

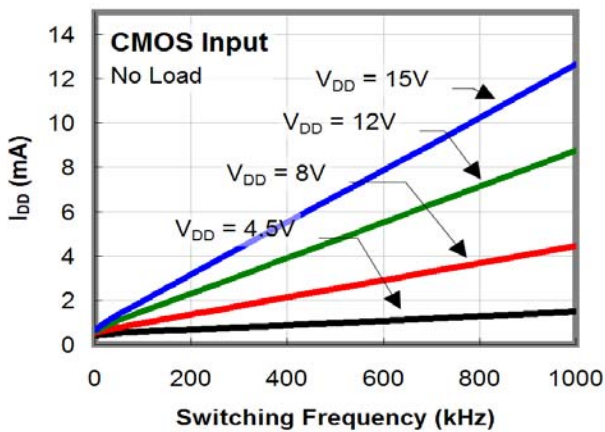


Figure 12. I_{DD} (No-Load) vs. Frequency

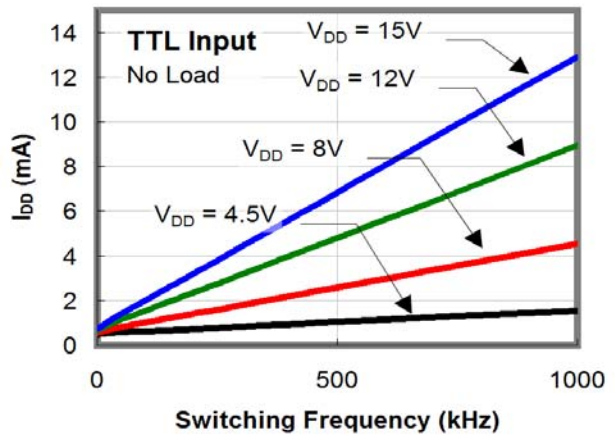


Figure 13. I_{DD} (No-Load) vs. Frequency

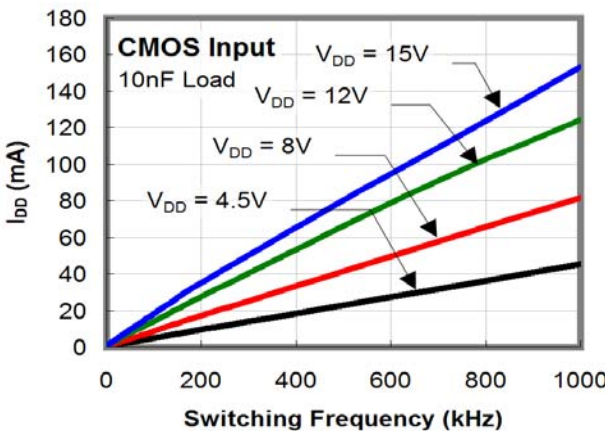


Figure 14. I_{DD} (10 nF Load) vs. Frequency

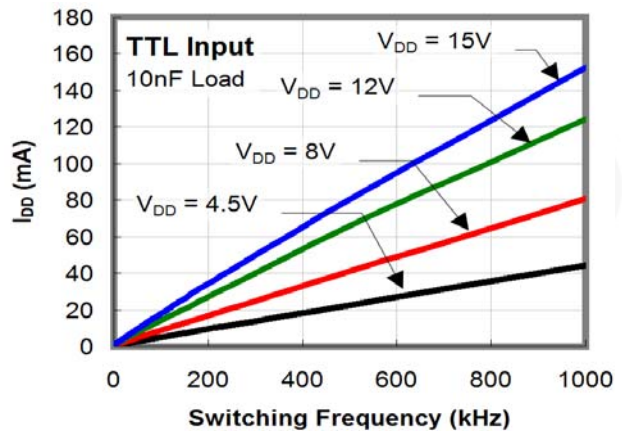


Figure 15. I_{DD} (10 nF Load) vs. Frequency

Typical Performance Characteristics

Typical characteristics are provided at 25°C and $V_{DD}=12\text{ V}$ unless otherwise noted.

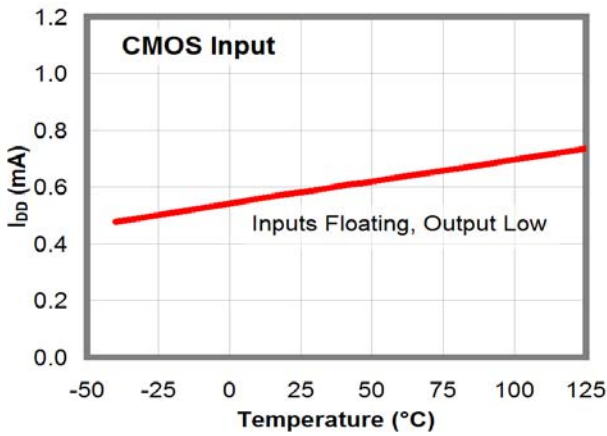


Figure 16. I_{DD} (Static) vs. Temperature⁽¹⁴⁾

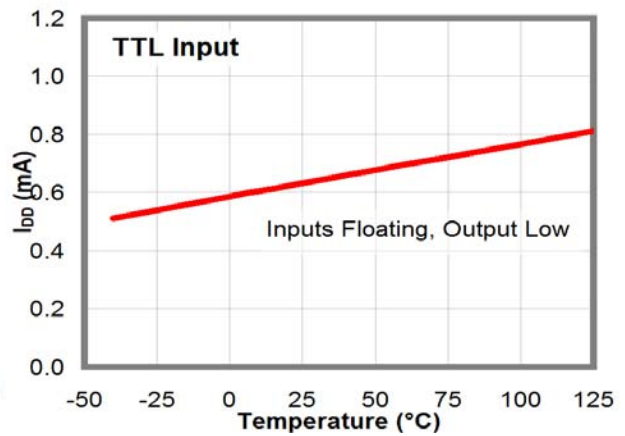


Figure 17. I_{DD} (Static) vs. Temperature⁽¹⁴⁾

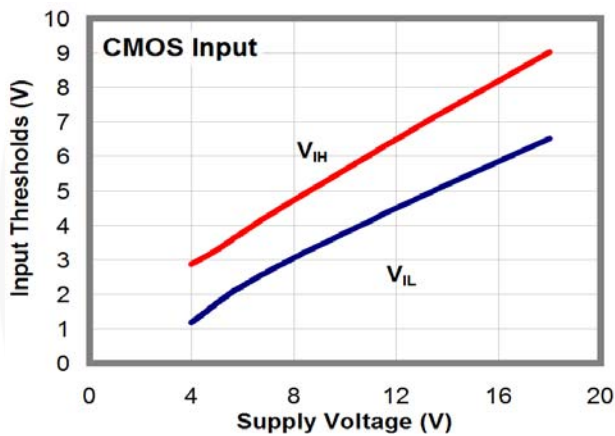


Figure 18. Input Thresholds vs. Supply Voltage

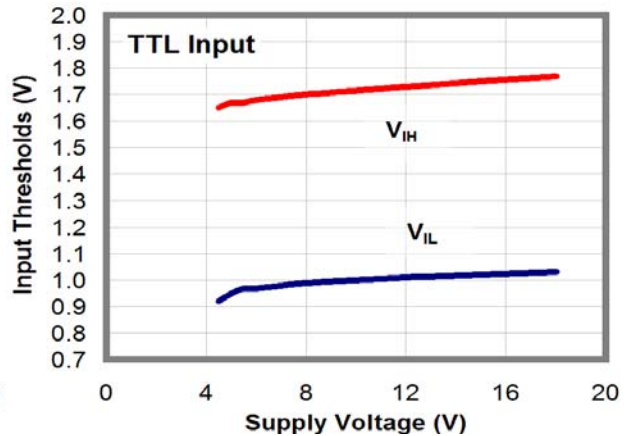


Figure 19. Input Thresholds vs. Supply Voltage

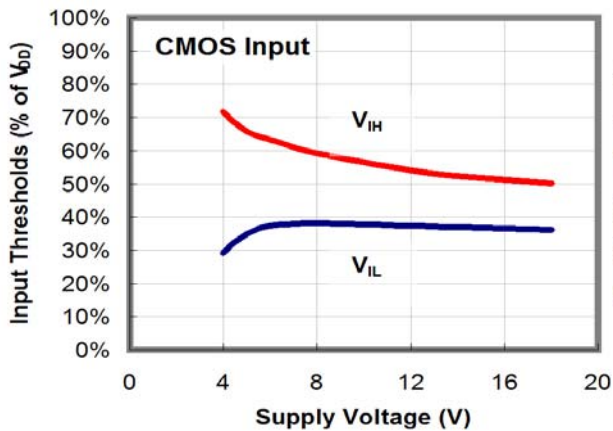


Figure 20. Input Thresholds % vs. Supply Voltage

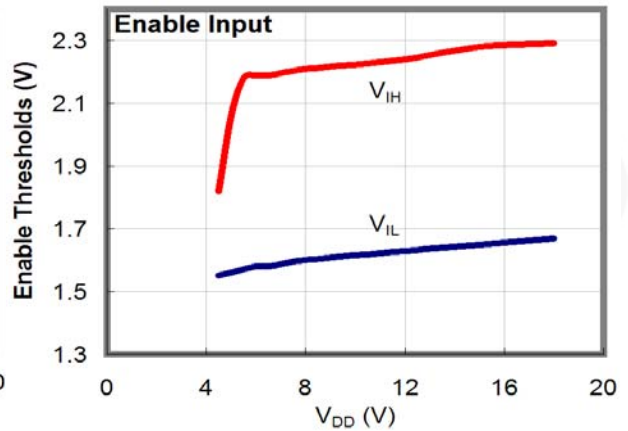


Figure 21. Enable Thresholds vs. Supply Voltage

Typical Performance Characteristics

Typical characteristics are provided at 25°C and $V_{DD}=12\text{ V}$ unless otherwise noted.

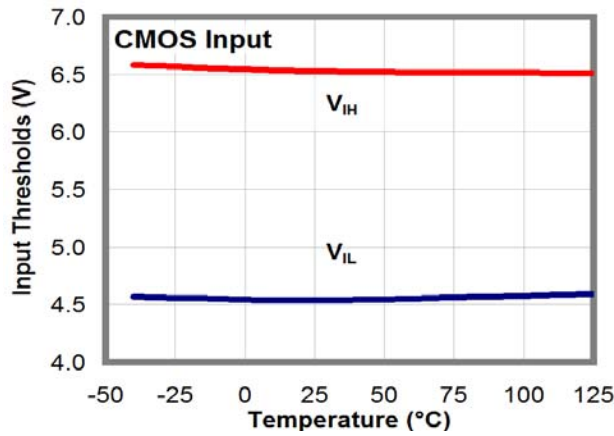


Figure 22. CMOS Input Thresholds vs. Temperature

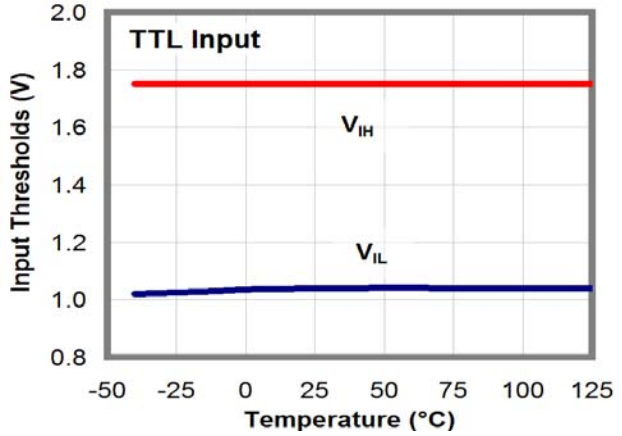


Figure 23. TTL Input Thresholds vs. Temperature

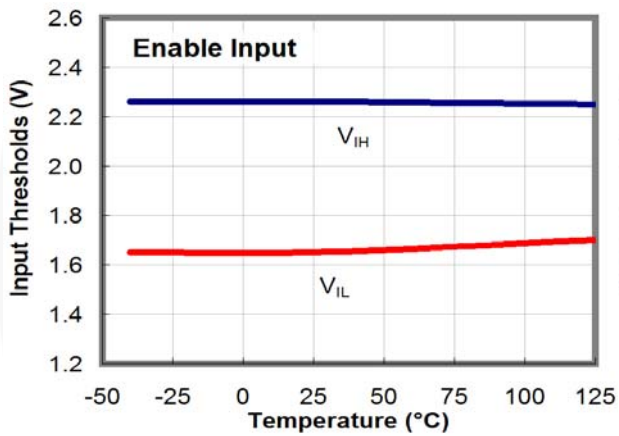


Figure 24. Enable Thresholds vs. Temperature

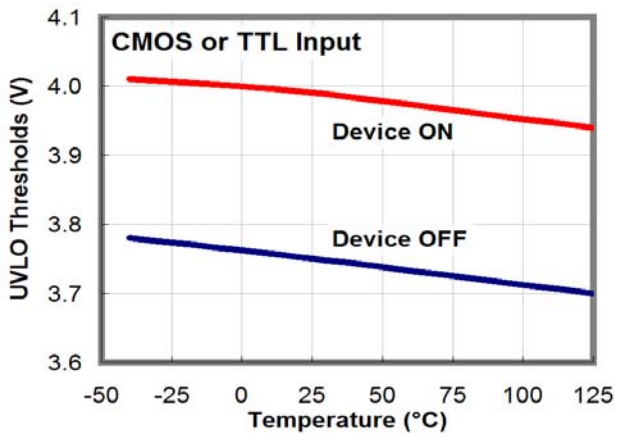


Figure 25. UVLO Thresholds vs. Temperature

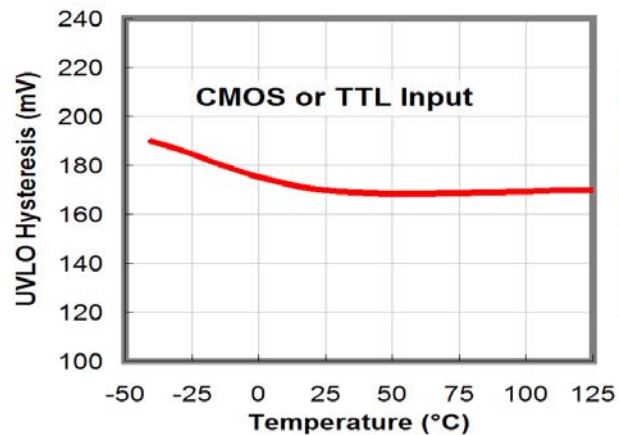


Figure 26. UVLO Hysteresis vs. Temperature

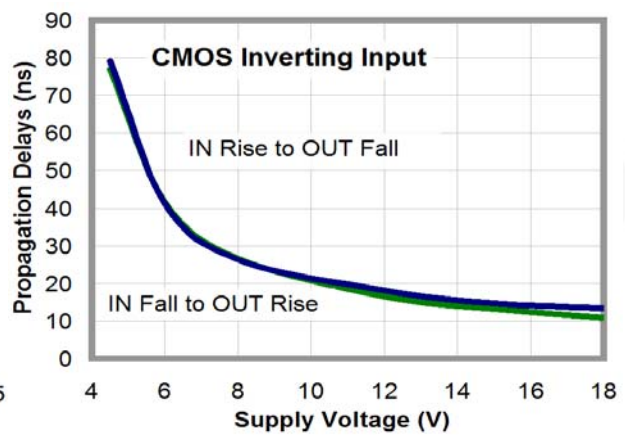


Figure 27. Propagation Delay vs. Supply Voltage

Typical Performance Characteristics

Typical characteristics are provided at 25°C and $V_{DD}=12\text{ V}$ unless otherwise noted.

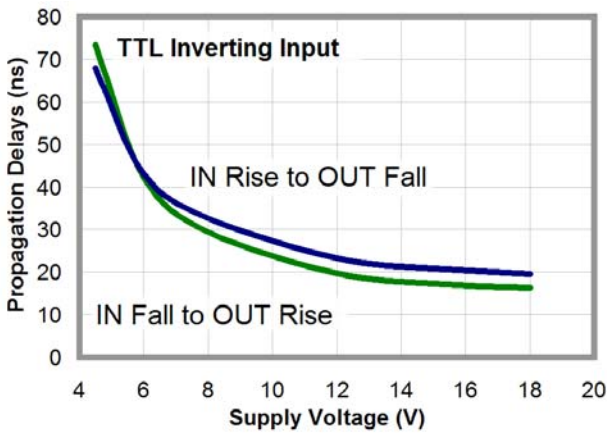


Figure 28. Propagation Delay vs. Supply Voltage

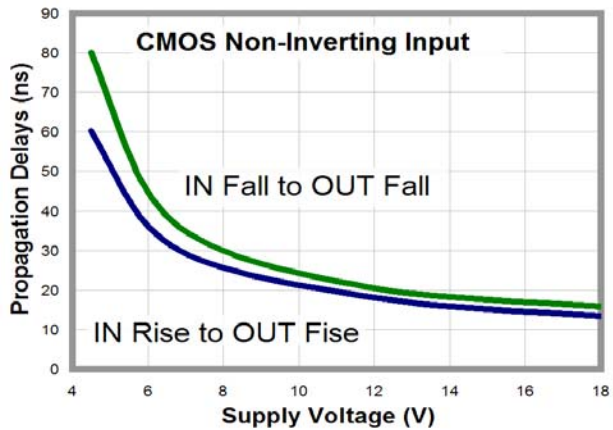


Figure 29. Propagation Delay vs. Supply Voltage

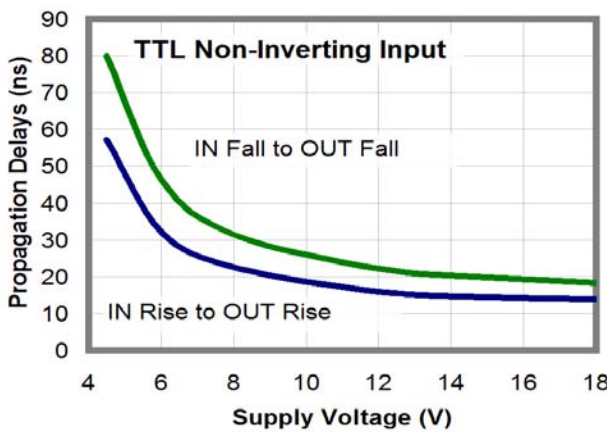


Figure 30. Propagation Delay vs. Supply Voltage

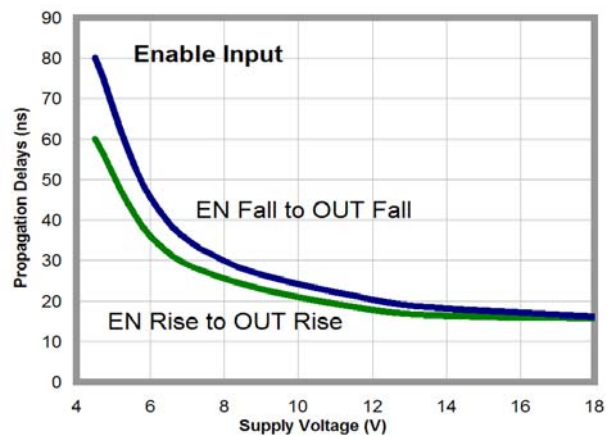


Figure 31. Propagation Delay vs. Supply Voltage

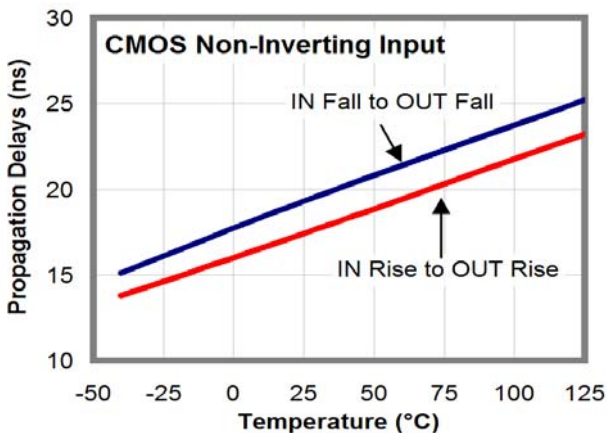


Figure 32. Propagation Delays vs. Temperature

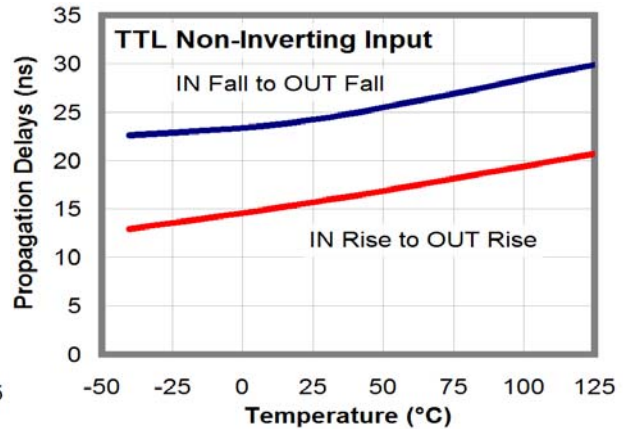


Figure 33. Propagation Delays vs. Temperature

Typical Performance Characteristics

Typical characteristics are provided at 25°C and $V_{DD}=12\text{ V}$ unless otherwise noted.

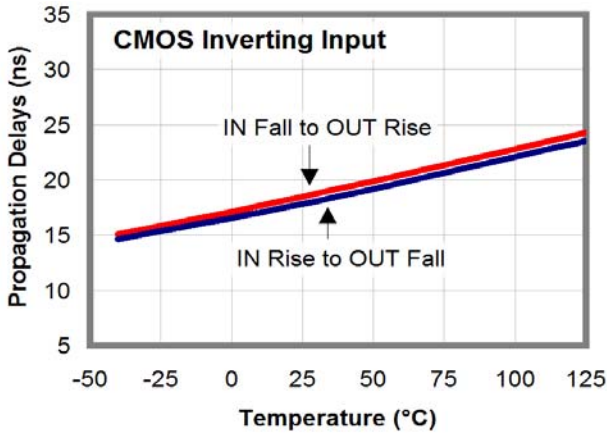


Figure 34. Propagation Delays vs. Temperature

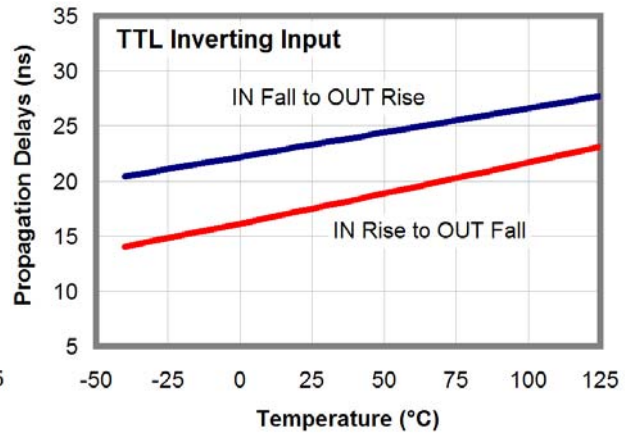


Figure 35. Propagation Delays vs. Temperature

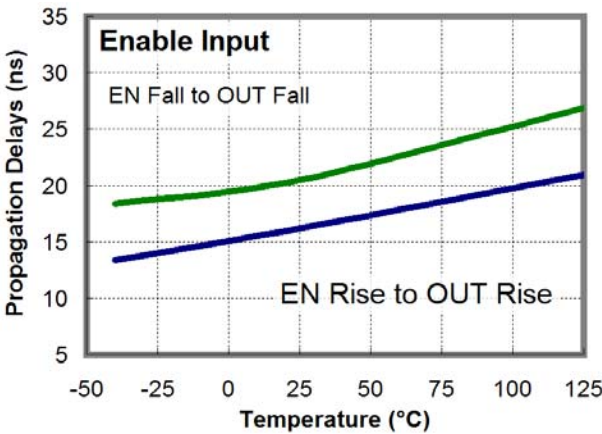


Figure 36. Propagation Delays vs. Temperature

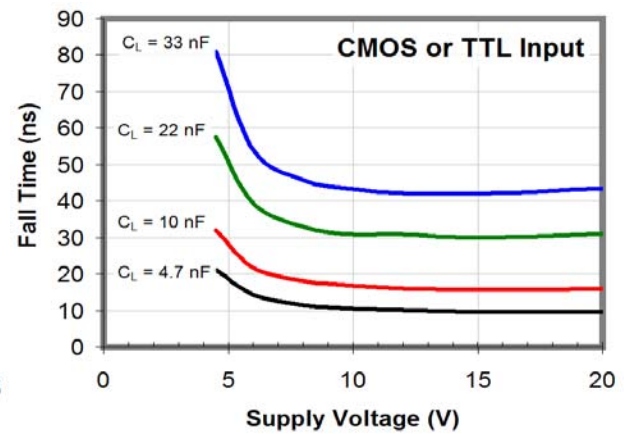


Figure 37. Fall Time vs. Supply Voltage

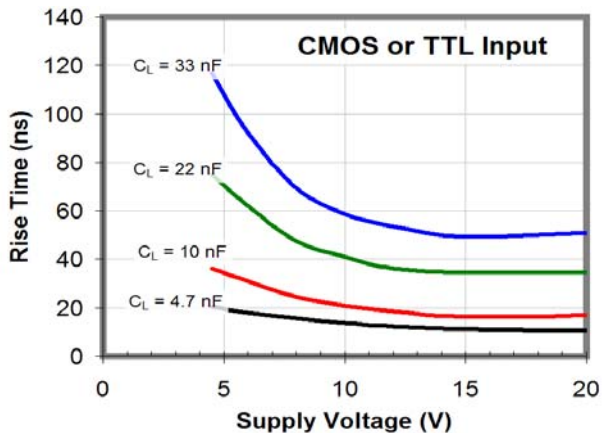


Figure 38. Rise Time vs. Supply Voltage

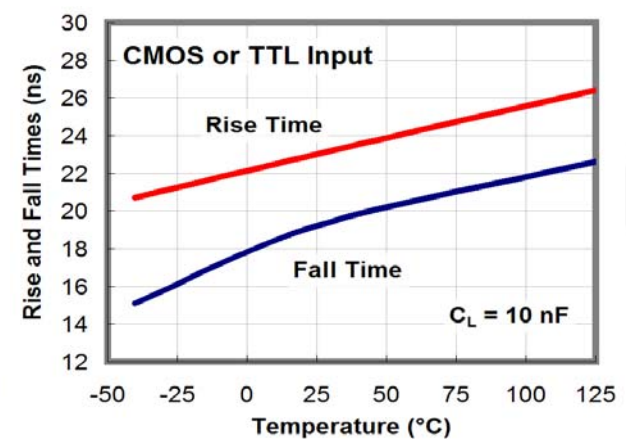


Figure 39. Rise and Fall Time vs. Temperature

Typical Performance Characteristics

Typical characteristics are provided at 25°C and $V_{DD}=12\text{ V}$ unless otherwise noted.

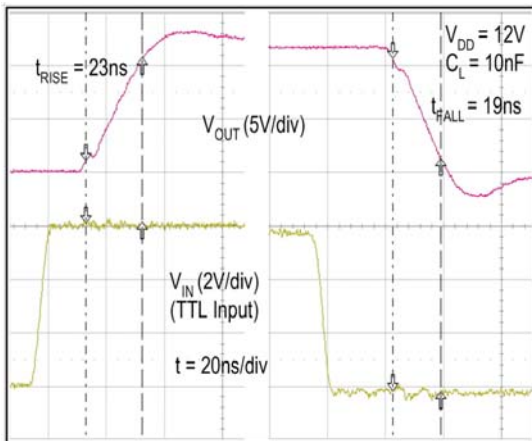


Figure 40. Rise / Fall Waveforms with 10 nF Load

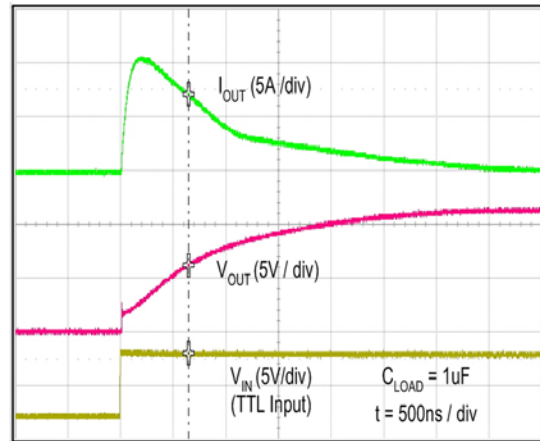


Figure 41. Quasi-Static Source Current with $V_{DD}=12\text{V}$ ⁽¹⁵⁾

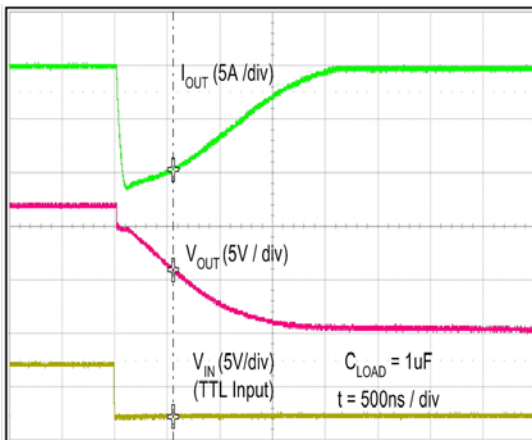


Figure 42. Quasi-Static Sink Current with $V_{DD}=12\text{ V}$ ⁽¹⁵⁾

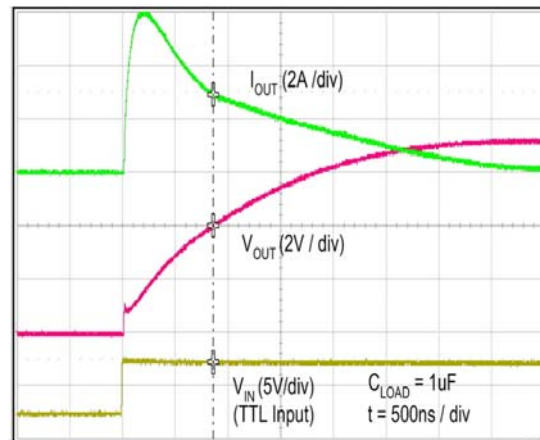


Figure 43. Quasi-Static Source Current with $V_{DD}=8\text{ V}$ ⁽¹⁵⁾

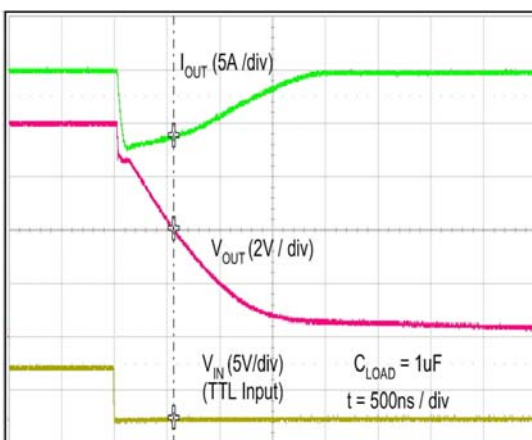


Figure 44. Quasi-Static Sink Current with $V_{DD}=8\text{ V}$ ⁽¹⁵⁾

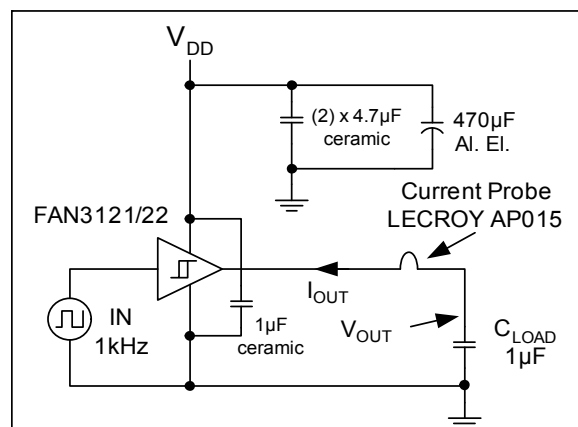


Figure 45. Quasi-Static I_{OUT} / V_{OUT} Test Circuit

Notes:

14. For any inverting inputs pulled LOW, non-inverting inputs pulled HIGH, or outputs driven HIGH; static I_{DD} increases by the current flowing through the corresponding pull-up/down resistor, shown in Figure 7.
15. The initial spike in each current waveform is a measurement artifact caused by the stray inductance of the current-measurement loop.

Applications Information

The FAN3121 and FAN3122 family offers versions in either TTL or CMOS input configuration. In the FAN3121T and FAN3122T, the input thresholds meet industry-standard TTL-logic thresholds independent of the V_{DD} voltage, and there is a hysteresis voltage of approximately 0.7 V. These levels permit the inputs to be driven from a range of input logic signal levels for which a voltage over 2 V is considered logic HIGH. The driving signal for the TTL inputs should have fast rising and falling edges with a slew rate of $6V/\mu s$ or faster, so the rise time from 0 to 3.3 V should be 550 ns or less.

The FAN3121 and FAN3122 output can be enabled or disabled using the EN pin with a very rapid response time. If EN is not externally connected, an internal pull-up resistor enables the driver by default. The EN pin has logic thresholds for parts with either TTL or CMOS IN thresholds.

In the FAN3121C and FAN3122C, the logic input thresholds are dependent on the V_{DD} level and, with V_{DD} of 12 V, the logic rising edge threshold is approximately 55% of V_{DD} and the input falling edge threshold is approximately 38% of V_{DD} . The CMOS input configuration offers a hysteresis voltage of approximately 17% of V_{DD} . The CMOS inputs can be used with relatively slow edges (approaching DC) if good decoupling and bypass techniques are incorporated in the system design to prevent noise from violating the input voltage hysteresis window. This allows setting precise timing intervals by fitting an R-C circuit between the controlling signal and the IN pin of the driver. The slow rising edge at the IN pin of the driver introduces a delay between the controlling signal and the OUT pin of the driver.

Static Supply Current

In the I_{DD} (static) Typical Performance Characteristics, the curves are produced with all inputs / enables floating (OUT is LOW) and indicates the lowest static I_{DD} current for the tested configuration. For other states, additional current flows through the 100 k Ω resistors on the inputs and outputs, as shown in the block diagram (see Figure 7). In these cases, the actual static I_{DD} current is the value obtained from the curves, plus this additional current.

MillerDrive™ Gate-Drive Technology

FAN312x gate drivers incorporate the MillerDrive™ architecture shown in Figure 46. For the output stage, a combination of bipolar and MOS devices provide large currents over a wide range of supply voltage and temperature variations. The bipolar devices carry the bulk of the current as OUT swings between $1/3$ to $2/3$ V_{DD} and the MOS devices pull the output to the HIGH or LOW rail.

The purpose of the Miller Drive™ architecture is to speed up switching by providing high current during the Miller plateau region when the gate-drain capacitance of the MOSFET is being charged or discharged as part of the turn-on / turn-off process.

For applications with zero voltage switching during the MOSFET turn-on or turn-off interval, the driver supplies high peak current for fast switching, even though the Miller plateau is not present. This situation often occurs in synchronous rectifier applications because the body diode is generally conducting before the MOSFET is switched on.

The output pin slew rate is determined by V_{DD} voltage and the load on the output. It is not user adjustable, but a series resistor can be added if a slower rise or fall time at the MOSFET gate is needed.

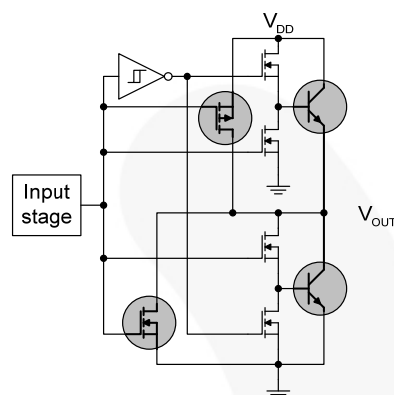


Figure 46. Miller Drive™ Output Architecture

Under-Voltage Lockout (UVLO)

The FAN312x startup logic is optimized to drive ground-referenced N-channel MOSFETs with an under-voltage lockout (UVLO) function to ensure that the IC starts in an orderly fashion. When V_{DD} is rising, yet below the 4.0 V operational level, this circuit holds the output low, regardless of the status of the input pins. After the part is active, the supply voltage must drop 0.25 V before the part shuts down. This hysteresis helps prevent chatter when low V_{DD} supply voltages have noise from the power switching. This configuration is not suitable for driving high-side P-channel MOSFETs because the low output voltage of the driver would turn the P-channel MOSFET on with V_{DD} below 4.0 V.

V_{DD} Bypassing and Layout Considerations

The FAN3121 and FAN3122 are available in either 8-lead SOIC or MLP packages. In either package, the V_{DD} pins 1 and 8 and the GND pins 4 and 5 should be connected together on the PCB.

In typical FAN312x gate-driver applications, high-current pulses are needed to charge and discharge the gate of a power MOSFET in time intervals of 50 ns or less. A bypass capacitor with low ESR and ESL should be connected directly between the V_{DD} and GND pins to provide these large current pulses without causing unacceptable ripple on the V_{DD} supply. To meet these requirements in a small size, a ceramic capacitor of 1 μF or larger is typically used, with a dielectric material such as X7R, to limit the change in capacitance over the temperature and / or voltage application ranges.

Figure 47 shows the pulsed gate drive current path when the gate driver is supplying gate charge to turn the MOSFET on. The current is supplied from the local bypass capacitor C_{BYP} and flows through the driver to the MOSFET gate and to ground. To reach the high peak currents possible with the FAN312x family, the resistance and inductance in the path should be minimized. The localized C_{BYP} acts to contain the high peak current pulses within this driver-MOSFET circuit, preventing them from disturbing the sensitive analog circuitry in the PWM controller.

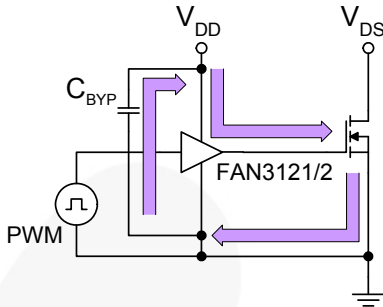


Figure 47. Current Path for MOSFET Turn-On

Figure 48 shows the path the current takes when the gate driver turns the MOSFET off. Ideally, the driver shunts the current directly to the source of the MOSFET in a small circuit loop. For fast turn-off times, the resistance and inductance in this path should be minimized.

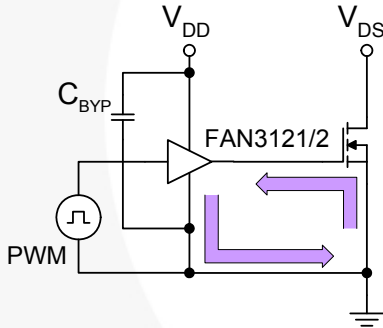


Figure 48. Current Path for MOSFET Turn-Off

Operational Waveforms

At power up, the FAN3121 inverting driver shown in Figure 49 holds the output LOW until the V_{DD} voltage reaches the UVLO turn-on threshold, as indicated in Figure 50. This facilitates proper startup control of low-side N-channel MOSFETs.

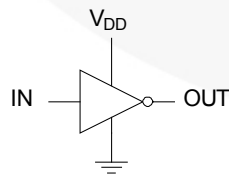


Figure 49. Inverting Configuration

The OUT pulses' magnitude follows V_{DD} magnitude with the output polarity inverted from the input until steady-state V_{DD} is reached.

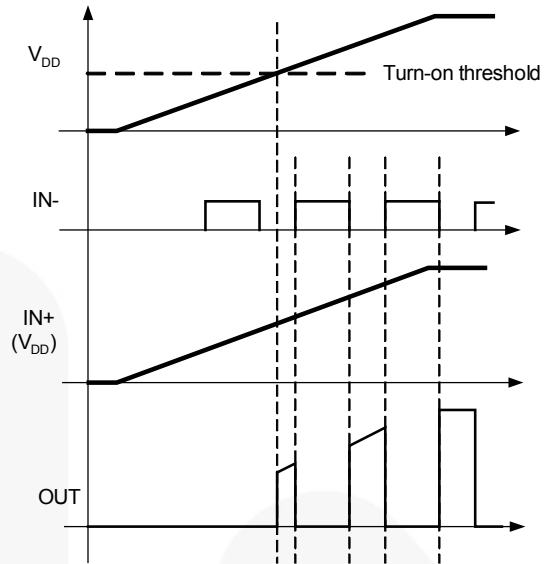


Figure 50. Inverting Startup Waveforms

At power up, the FAN3122 non-inverting driver, shown in Figure 51, holds the output LOW until the V_{DD} voltage reaches the UVLO turn-on threshold, as indicated in Figure 52. The OUT pulses magnitude follow V_{DD} magnitude until steady-state V_{DD} is reached.

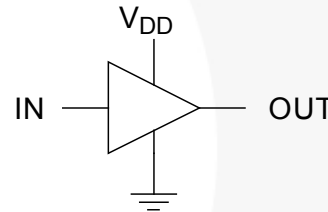


Figure 51. Non-Inverting Driver

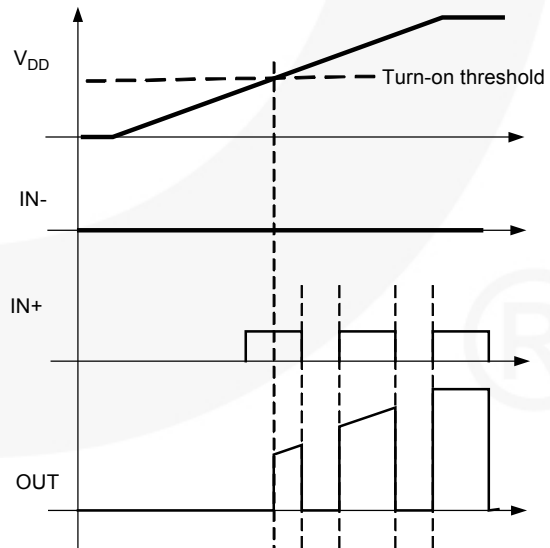


Figure 52. Non-Inverting Startup Waveforms

Thermal Guidelines

Gate drivers used to switch MOSFETs and IGBTs at high frequencies can dissipate significant amounts of power. It is important to determine the driver power dissipation and the resulting junction temperature in the application to ensure that the part is operating within acceptable temperature limits.

The total power dissipation in a gate driver is the sum of two components, P_{GATE} and $P_{DYNAMIC}$:

$$P_{TOTAL} = P_{GATE} + P_{DYNAMIC} \quad (1)$$

Gate Driving Loss: The most significant power loss results from supplying gate current (charge per unit time) to switch the load MOSFET on and off at the switching frequency. The power dissipation that results from driving a MOSFET at a specified gate-source voltage, V_{GS} , with gate charge, Q_G , at switching frequency, f_{SW} , is determined by:

$$P_{GATE} = Q_G \cdot V_{GS} \cdot f_{SW} \quad (2)$$

Dynamic Pre-drive / Shoot-through Current: A power loss resulting from internal current consumption under dynamic operating conditions, including pin pull-up / pull-down resistors, can be obtained using the "IDD (No-Load) vs. Frequency" graphs in Typical Performance Characteristics to determine the current $I_{DYNAMIC}$ drawn from V_{DD} under actual operating conditions:

$$P_{DYNAMIC} = I_{DYNAMIC} \cdot V_{DD} \quad (3)$$

Once the power dissipated in the driver is determined, the driver junction rise with respect to circuit board can be evaluated using the following thermal equation, assuming Ψ_{JB} was determined for a similar thermal design (heat sinking and air flow):

$$T_J = P_{TOTAL} \cdot \Psi_{JB} + T_B \quad (4)$$

where:

T_J = driver junction temperature;

Ψ_{JB} = (psi) thermal characterization parameter relating temperature rise to total power dissipation; and

T_B = board temperature in location as defined in the Thermal Characteristics table.

In a full-bridge synchronous rectifier application, shown in Figure 53, each FAN3122 drives a parallel combination of two high-current MOSFETs, (such as FDMS8660S). The typical gate charge for each SR MOSFET is 70 nC with $V_{GS} = V_{DD} = 9V$. At a switching frequency of 300 kHz, the total power dissipation is:

$$P_{GATE} = 2 \cdot 70 \text{ nC} \cdot 9V \cdot 300 \text{ kHz} = 0.378 \text{ W} \quad (5)$$

$$P_{DYNAMIC} = 2 \text{ mA} \cdot 9 \text{ V} = 18 \text{ mW} \quad (6)$$

$$P_{TOTAL} = 0.396 \text{ W} \quad (7)$$

The SOIC-8 has a junction-to-board thermal characterization parameter of $\Psi_{JB} = 42^\circ\text{C/W}$. In a system application, the localized temperature around the device is a function of the layout and construction of the PCB along with airflow across the surfaces. To ensure reliable operation, the maximum junction temperature of the device must be prevented from exceeding the maximum rating of 150°C ; with 80% derating, T_J would be limited to 120°C . Rearranging Equation 4 determines the board temperature required to maintain the junction temperature below 120°C :

$$T_{B,MAX} = T_J - P_{TOTAL} \cdot \Psi_{JB} \quad (8)$$

$$T_{B,MAX} = 120^\circ\text{C} - 0.396 \text{ W} \cdot 42^\circ\text{C/W} = 104^\circ\text{C} \quad (9)$$

For comparison, replace the SOIC-8 used in the previous example with the 3x3 mm MLP package with $\Psi_{JB} = 2.8^\circ\text{C/W}$. The 3x3 mm MLP package can operate at a PCB temperature of 118°C , while maintaining the junction temperature below 120°C . This illustrates that the physically smaller MLP package with thermal pad offers a more conductive path to remove the heat from the driver. Consider tradeoffs between reducing overall circuit size with junction temperature reduction for increased reliability.

Typical Application Diagrams

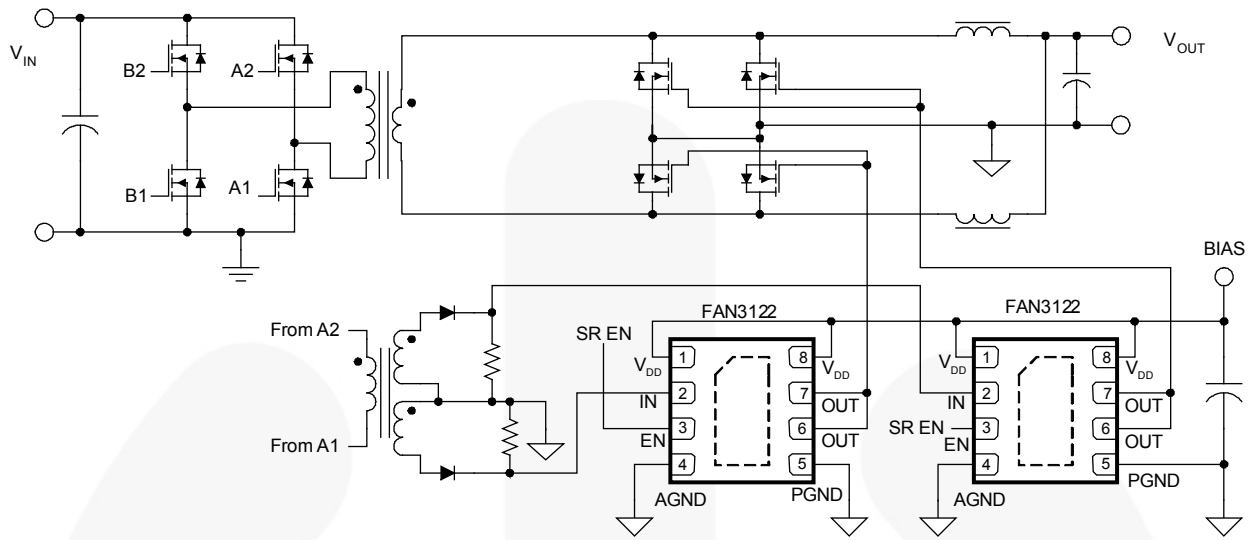


Figure 53. Full-Bridge Synchronous Rectification

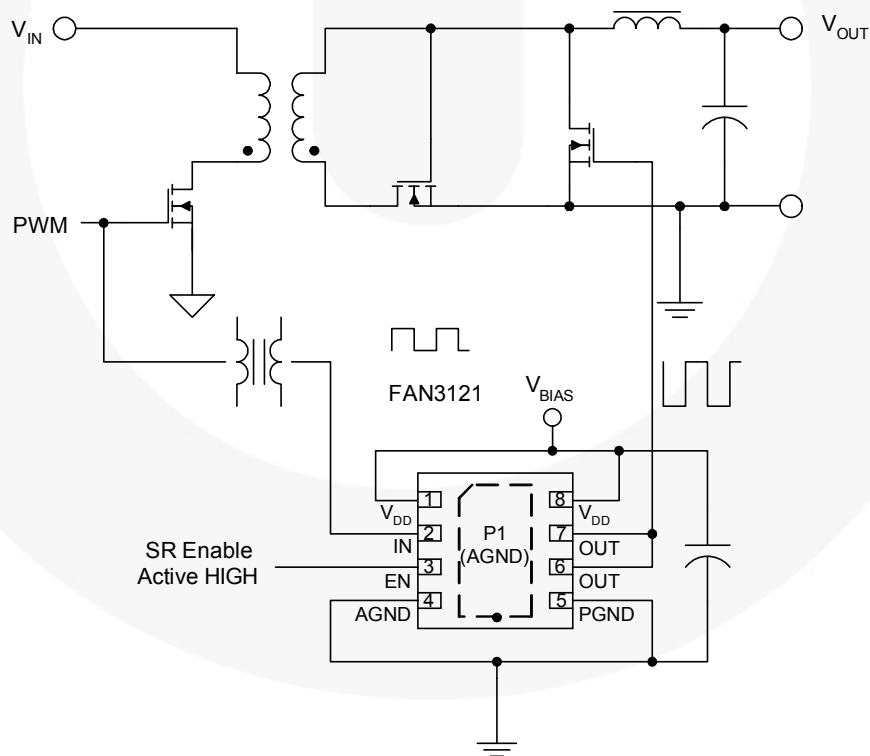


Figure 54. Hybrid Synchronous Rectification in a Forward Converter

Table 1. Related Products

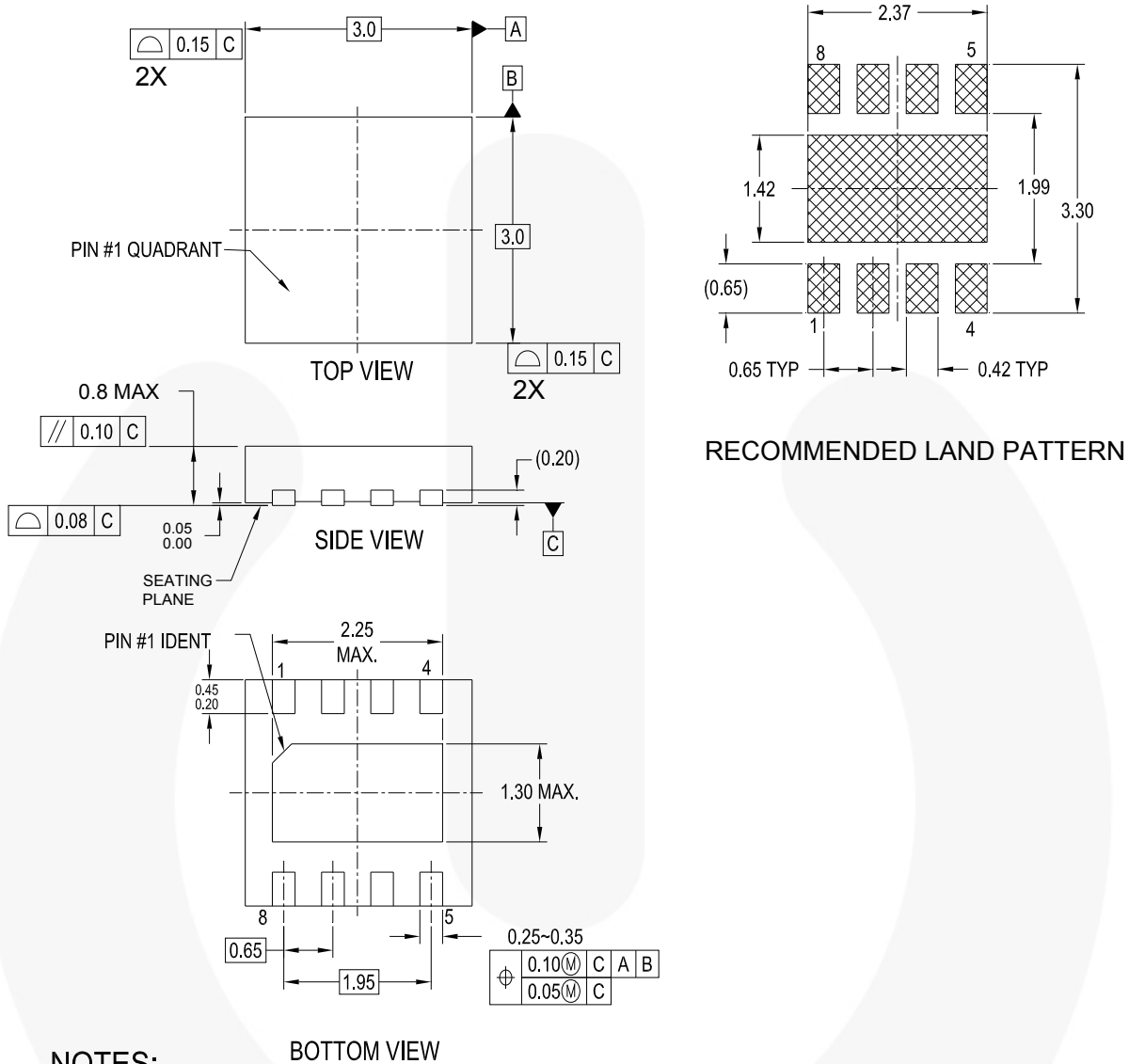
| Part Number | Type | Gate Drive ⁽¹⁶⁾ (Sink/Src) | Input Threshold | Logic | Package ⁽¹⁸⁾ |
|-----------------|-------------------|--|--------------------------|---|-------------------------|
| FAN3111C | Single 1 A | +1.1 A / -0.9 A | CMOS | Single Channel of Dual-Input/Single-Output | SOT23-5, MLP6 |
| FAN3111E | Single 1 A | +1.1 A / -0.9 A | External ⁽¹⁷⁾ | Single Non-Inverting Channel with External Reference | SOT23-5, MLP6 |
| FAN3100C | Single 2 A | +2.5 A / -1.8 A | CMOS | Single Channel of Two-Input/One-Output | SOT23-5, MLP6 |
| FAN3100T | Single 2 A | +2.5 A / -1.8 A | TTL | Single Channel of Two-Input/One-Output | SOT23-5, MLP6 |
| FAN3180 | Single 2 A | +2.4 A / -1.6 A | TTL | Single Non-Inverting Channel + 3.3 V LDO | SOT23-5 |
| FAN3216T | Dual 2 A | +2.4 A / -1.6 A | TTL | Dual Inverting Channels | SOIC8 |
| FAN3217T | Dual 2 A | +2.4 A / -1.6 A | TTL | Dual Non-Inverting Channels | SOIC8 |
| FAN3226C | Dual 2 A | +2.4 A / -1.6 A | CMOS | Dual Inverting Channels + Dual Enable | SOIC8, MLP8 |
| FAN3226T | Dual 2 A | +2.4 A / -1.6 A | TTL | Dual Inverting Channels + Dual Enable | SOIC8, MLP8 |
| FAN3227C | Dual 2 A | +2.4 A / -1.6 A | CMOS | Dual Non-Inverting Channels + Dual Enable | SOIC8, MLP8 |
| FAN3227T | Dual 2 A | +2.4 A / -1.6 A | TTL | Dual Non-Inverting Channels + Dual Enable | SOIC8, MLP8 |
| FAN3228C | Dual 2 A | +2.4 A / -1.6 A | CMOS | Dual Channels of Two-Input/One-Output | SOIC8, MLP8 |
| FAN3228T | Dual 2A | +2.4 A / -1.6 A | TTL | Dual Channels of Two-Input/One-Output | SOIC8, MLP8 |
| FAN3229C | Dual 2 A | +2.4 A / -1.6 A | CMOS | Dual Channels of Two-Input/One-Output | SOIC8, MLP8 |
| FAN3229T | Dual 2 A | +2.4 A / -1.6 A | TTL | Dual Channels of Two-Input/One-Output | SOIC8, MLP8 |
| FAN3268T | Dual 2 A | +2.4 A / -1.6 A | TTL | 20 V Non-Inverting Channel (NMOS) and Inverting Channel (PMOS) + Dual Enables | SOIC8 |
| FAN3278T | Dual 2 A | +2.4 A / -1.6 A | TTL | 30 V Non-Inverting Channel (NMOS) and Inverting Channel (PMOS) + Dual Enables | SOIC8 |
| FAN3223C | Dual 4 A | +4.3 A / -2.8 A | CMOS | Dual Inverting Channels + Dual Enable | SOIC8, MLP8 |
| FAN3213T | Dual 4 A | +4.3 A / -2.8 A | TTL | Dual Inverting Channels | SOIC8 |
| FAN3214T | Dual 4 A | +4.3 A / -2.8 A | TTL | Dual Non-Inverting Channels | SOIC8 |
| FAN3223T | Dual 4 A | +4.3 A / -2.8 A | TTL | Dual Inverting Channels + Dual Enable | SOIC8, MLP8 |
| FAN3224C | Dual 4 A | +4.3 A / -2.8 A | CMOS | Dual Non-Inverting Channels + Dual Enable | SOIC8, MLP8 |
| FAN3224T | Dual 4 A | +4.3 A / -2.8 A | TTL | Dual Non-Inverting Channels + Dual Enable | SOIC8, MLP8 |
| FAN3225C | Dual 4 A | +4.3 A / -2.8 A | CMOS | Dual Channels of Two-Input/One-Output | SOIC8, MLP8 |
| FAN3225T | Dual 4 A | +4.3 A / -2.8 A | TTL | Dual Channels of Two-Input/One-Output | SOIC8, MLP8 |
| FAN3121C | Single 9 A | +9.7 A / -7.1 A | CMOS | Single Inverting Channel + Enable | SOIC8, MLP8 |
| FAN3121T | Single 9 A | +9.7 A / -7.1 A | TTL | Single Inverting Channel + Enable | SOIC8, MLP8 |
| FAN3122C | Single 9 A | +9.7 A / -7.1 A | CMOS | Single Non-Inverting Channel + Enable | SOIC8, MLP8 |
| FAN3122T | Single 9 A | +9.7 A / -7.1 A | TTL | Single Non-Inverting Channel + Enable | SOIC8, MLP8 |
| FAN3240 | Dual 12 A | > +12.0 A | TTL | Dual-Coil Relay Driver, Timing Config. 0 | SOIC8 |
| FAN3241 | Dual 12 A | > +12.0 A | TTL | Dual-Coil Relay Driver, Timing Config. 1 | SOIC8 |

Note:16. Typical currents with OUT at 6 V and $V_{DD} = 12$ V.

17. Thresholds proportional to an externally supplied reference voltage.

18. Automotive-qualified F085 versions are only offered in SOIC8 packages.

Physical Dimensions



NOTES:

- A. CONFORMS TO JEDEC REGISTRATION MO-229, VARIATION VEEC, DATED 11/2001
- B. DIMENSIONS ARE IN MILLIMETERS.
- C. DIMENSIONS AND TOLERANCES PER ASME Y14.5M, 1994
- D. FILENAME: MKT-MLP08Drev2

Figure 55. 3x3 mm, 8-Lead Molded Leadless Package (MLP)

Package drawings are provided as a service to customers considering Fairchild components. Drawings may change in any manner without notice. Please note the revision and/or date on the drawing and contact a Fairchild Semiconductor representative to verify or obtain the most recent revision. Package specifications do not expand the terms of Fairchild's worldwide terms and conditions, specifically the warranty therein, which covers Fairchild products.

Always visit Fairchild Semiconductor's online packaging area for the most recent package drawings:
<http://www.fairchildsemi.com/packaging/>

Physical Dimensions (Continued)

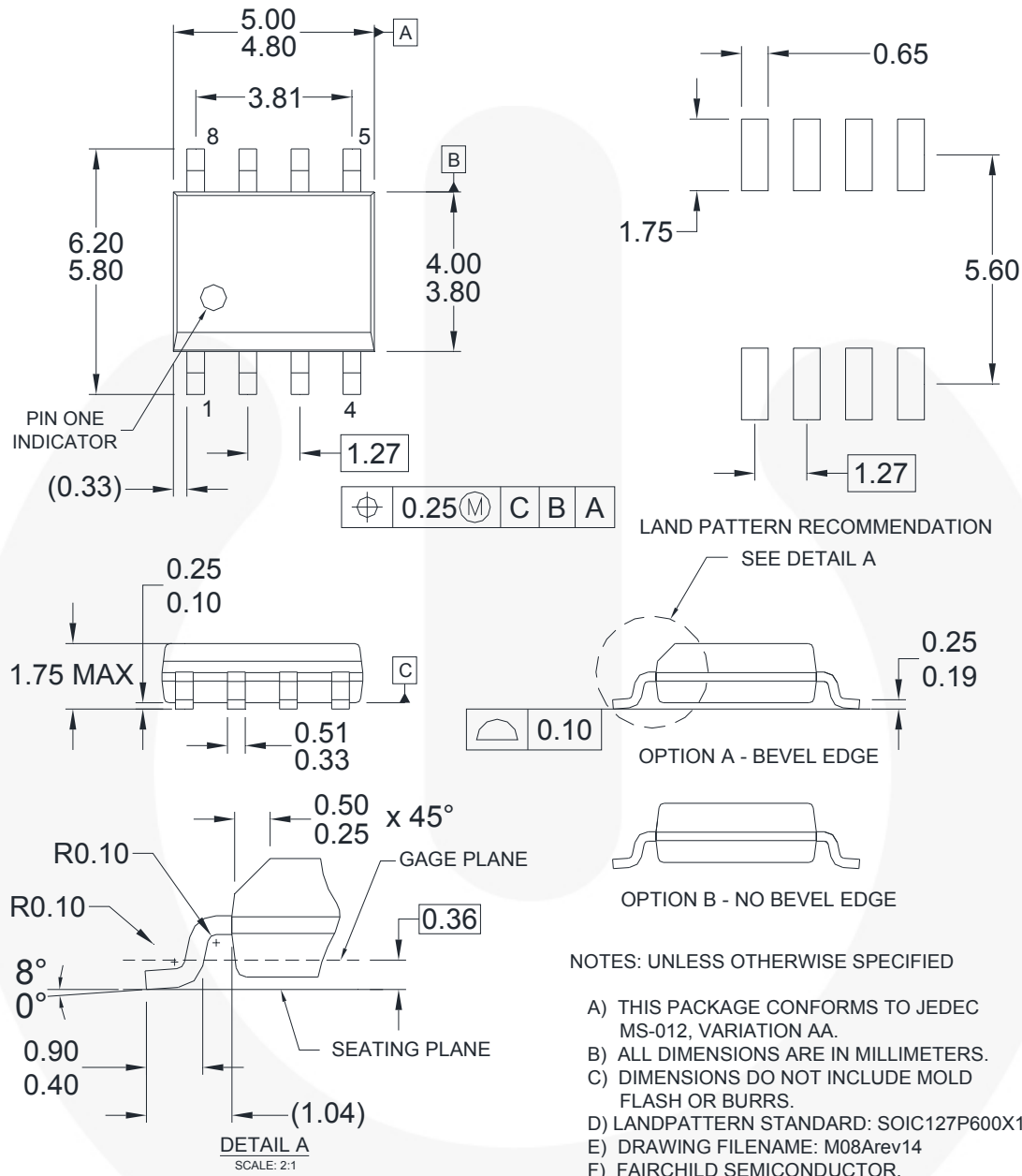


Figure 56. 8-Lead Small Outline Integrated Circuit (SOIC)

Package drawings are provided as a service to customers considering Fairchild components. Drawings may change in any manner without notice. Please note the revision and/or date on the drawing and contact a Fairchild Semiconductor representative to verify or obtain the most recent revision. Package specifications do not expand the terms of Fairchild's worldwide terms and conditions, specifically the warranty therein, which covers Fairchild products.

Always visit Fairchild Semiconductor's online packaging area for the most recent package drawings:
<http://www.fairchildsemi.com/packaging/>.

TRADEMARKS

The following includes registered and unregistered trademarks and service marks, owned by Fairchild Semiconductor and/or its global subsidiaries, and is not intended to be an exhaustive list of all such trademarks.

| | | | |
|--|--|---|--|
| 2Cool™ | FPST™ |  | Sync-Lock™ |
| AccuPower™ | F-PFST™ | PowerTrench® |  |
| AX-CAP®* | FRFET® | PowerXS™ | TinyBoost™ |
| BitSiC™ | Global Power Resource™ | Programmable Active Droop™ | TinyBuck™ |
| Build it Now™ | GreenBridge™ | QFET® | TinyCalc™ |
| CorePLUS™ | Green FPS™ | QST™ | TinyLogic® |
| CorePOWER™ | Green FPS™ e-Series™ | Quiet Series™ | TINYOPTO™ |
| CROSSVOLT™ | Gmax™ | RapidConfigure™ | TinyPower™ |
| CTL™ | GTO™ |  Saving our world, 1mW/WkWh at a time™ | TinyPWM™ |
| Current Transfer Logic™ | IntelliMAX™ | SignalWise™ | TinyWire™ |
| DEUXPEED® | ISOPLANAR™ | SmartMax™ | TranSiC™ |
| Dual Cool™ | Making Small Speakers Sound Louder and Better™ | SMART START™ | TriFault Detect™ |
| EcoSPARK® | MegaBuck™ | Solutions for Your Success™ | TRUECURRENT®* |
| EfficientMax™ | MICROCOUPLER™ | SPM® | µSerDes™ |
| ESBC™ | MicroFET™ | STEALTH™ |  UHC® |
|  Fairchild® | MicroPak™ | SuperFET® | Ultra FRFET™ |
| Fairchild Semiconductor® | MicroPak2™ | SuperSOT™.3 | UniFET™ |
| FACT Quiet Series™ | MillerDrive™ | SuperSOT™.8 | VCO™ |
| FACT® | MotionMax™ | SuperSOT™.8 | VisualMax™ |
| FAST® | mWSaver™ | SupreMOS® | VoltagePlus™ |
| FastvCore™ | OptoHi™ | SyncFET™ | XST™ |
| FETBench™ | OPTOLOGIC® | | |
| | OPTOPLANAR® | | |

* Trademarks of System General Corporation, used under license by Fairchild Semiconductor.

DISCLAIMER

FAIRCHILD SEMICONDUCTOR RESERVES THE RIGHT TO MAKE CHANGES WITHOUT FURTHER NOTICE TO ANY PRODUCTS HEREIN TO IMPROVE RELIABILITY, FUNCTION, OR DESIGN. FAIRCHILD DOES NOT ASSUME ANY LIABILITY ARISING OUT OF THE APPLICATION OR USE OF ANY PRODUCT OR CIRCUIT DESCRIBED HEREIN, NEITHER DOES IT CONVEY ANY LICENSE UNDER ITS PATENT RIGHTS, NOR THE RIGHTS OF OTHERS. THESE SPECIFICATIONS DO NOT EXPAND THE TERMS OF FAIRCHILD'S WORLDWIDE TERMS AND CONDITIONS, SPECIFICALLY THE WARRANTY THEREIN, WHICH COVERS THESE PRODUCTS.

LIFE SUPPORT POLICY

FAIRCHILD'S PRODUCTS ARE NOT AUTHORIZED FOR USE AS CRITICAL COMPONENTS IN LIFE SUPPORT DEVICES OR SYSTEMS WITHOUT THE EXPRESS WRITTEN APPROVAL OF FAIRCHILD SEMICONDUCTOR CORPORATION.

As used herein:

1. Life support devices or systems are devices or systems which, (a) are intended for surgical implant into the body or (b) support or sustain life, and (c) whose failure to perform when properly used in accordance with instructions for use provided in the labeling, can be reasonably expected to result in a significant injury of the user.
2. A critical component in any component of a life support, device, or system whose failure to perform can be reasonably expected to cause the failure of the life support device or system, or to affect its safety or effectiveness.

ANTI-COUNTERFEITING POLICY

Fairchild Semiconductor Corporation's Anti-Counterfeiting Policy. Fairchild's Anti-Counterfeiting Policy is also stated on our external website, www.fairchildsemi.com, under Sales Support.

Counterfeiting of semiconductor parts is a growing problem in the industry. All manufacturers of semiconductor products are experiencing counterfeiting of their parts. Customers who inadvertently purchase counterfeit parts experience many problems such as loss of brand reputation, substandard performance, failed applications, and increased cost of production and manufacturing delays. Fairchild is taking strong measures to protect ourselves and our customers from the proliferation of counterfeit parts. Fairchild strongly encourages customers to purchase Fairchild parts either directly from Fairchild or from Authorized Fairchild Distributors who are listed by country on our web page cited above. Products customers buy either from Fairchild directly or from Authorized Fairchild Distributors are genuine parts, have full traceability, meet Fairchild's quality standards for handling and storage and provide access to Fairchild's full range of up-to-date technical and product information. Fairchild and our Authorized Distributors will stand behind all warranties and will appropriately address any warranty issues that may arise. Fairchild will not provide any warranty coverage or other assistance for parts bought from Unauthorized Sources. Fairchild is committed to combat this global problem and encourage our customers to do their part in stopping this practice by buying direct or from authorized distributors.

PRODUCT STATUS DEFINITIONS

Definition of Terms

| Datasheet Identification | Product Status | Definition |
|--------------------------|-----------------------|---|
| Advance Information | Formative / In Design | Datasheet contains the design specifications for product development. Specifications may change in any manner without notice. |
| Preliminary | First Production | Datasheet contains preliminary data; supplementary data will be published at a later date. Fairchild Semiconductor reserves the right to make changes at any time without notice to improve design. |
| No Identification Needed | Full Production | Datasheet contains final specifications. Fairchild Semiconductor reserves the right to make changes at any time without notice to improve the design. |
| Obsolete | Not In Production | Datasheet contains specifications on a product that is discontinued by Fairchild Semiconductor. The datasheet is for reference information only. |

Rev. I64