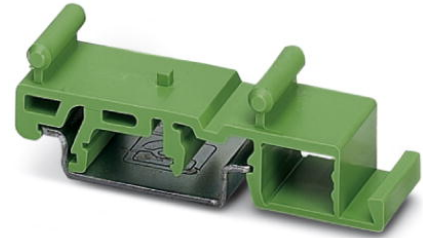


## UMK-FE

Order No.: 2970031


The illustration shows a combination of versions UMK SE 11,25, UMK BE 11,25,- 22,5, -45 and UMK-FE



<http://eshop.phoenixcontact.co.uk/phoenix/treeViewClick.do?UID=2970031>

Foot element, for mounting on DIN rail NS 32 or DIN rail NS 35/7.5, can be inserted between base and side element

### Commercial data

EAN	 4 017918 087562
Pack	10
Customs tariff	85472000
Gross weight in pieces	6.18 g
Country of Origin	PL
Catalog page information	Page 760 (CAT-1-2013)

### Product notes

WEEE/RoHS-compliant since:  
01/01/2003



Please note that the data given here has been taken from the online catalog. For comprehensive information and data, please refer to the user documentation at <http://www.download.phoenixcontact.com>. The General Terms and Conditions of Use apply to Internet downloads.

### Certificates



Certification

UL Recognized

Certifications applied for:

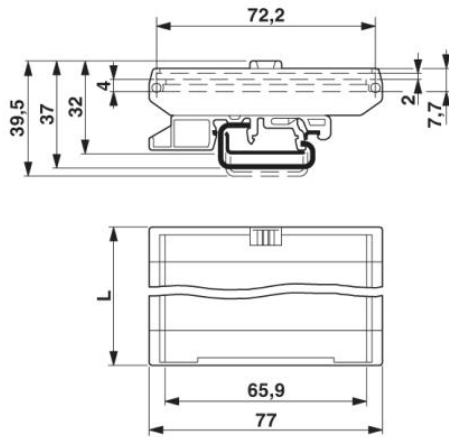
Certification Ex:

---

## Drawings

### Dimensioned drawing

---



UMK-FE Order No.: 2970031

<http://eshop.phoenixcontact.co.uk/phoenix/treeViewClick.do?UID=2970031>

---

**Address**

PHOENIX CONTACT Ltd  
Halesfield 13  
Telford / Shropshire / TF7 4PG,England  
Phone 01952 681 700  
Fax 01952 681 799  
<http://www.phoenixcontact.co.uk>



Phoenix Contact Ltd.  
Technical modifications reserved;