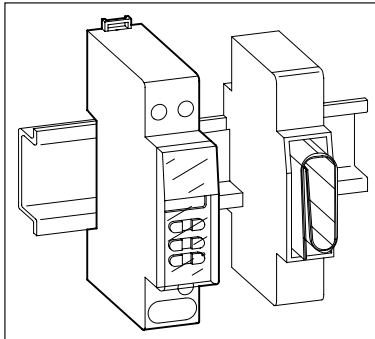


Time switch

MicroRex D11



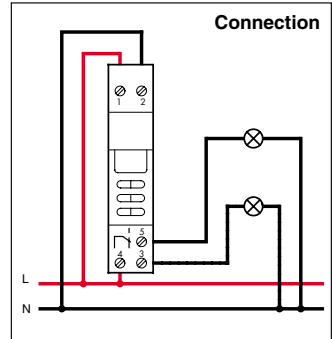
NT 29 07 53 01



Technical data

Supply voltage:	94 41 08
Consumption:	230V 50/60Hz
Contact rating:	ca. 0,6W
Parallel compensation:	changeover contact 16A 250V-μ cos φ = 1
Accuracy:	not allowed
Terminal capacity:	±2,5s/d
Program pictures:	single strand multi strand
Battery reserve:	1,5 to 4 mm ² 1,5 to 2,5 mm ²
Storage ambient:	8
Working ambient:	100h
	-10°C to +60°C
	-10°C to +55°C

For safety, when the time switch is connected to the mains supply the contact should not be used on an isolated low voltage supply. And when the time switch is connected to the isolated voltage supply the contact should not be used on the mains supply.



Safety notes

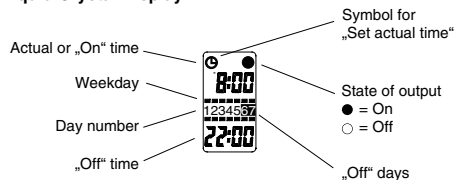
- Installation of these products should only be undertaken by a qualified electrician.
- The electrical safety can only be guaranteed on condition that the product and all accessories supplied are installed in the according product specific environment and that the EMC regulations are kept.
- Any interference with the product makes the guarantee void.
- If the time switch is mounted near equipment where heat produced raises the local ambient above 55°C. Then a space should be put between the time switch and the equipment (e.g. ½ space module code 044 40 or 1 space module code 044 41).

Function

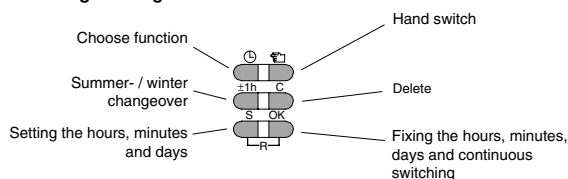
The MicroRex D11 is a microprocessor controlled digital time switch. Eight programs of your choice can be stored and used to control the automatic operation of your electrical equipment. Each individual weekday can have a separate program or you can have several days operating on the same „Block“ program. To program the MicroRex D11 a „picture“ is used and when this is complete the chosen times are stored in the microprocessor memory. The summer-/winter changeover can be programmed for hand or automatic operation.

Presentation

Liquid Crystal Display



Programming Buttons

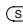
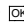


1. Starting

Approximately 30 seconds after the supply voltage is connected the symbols appear on the LCD.

Before any operations the complete memory must be reset.

2. Memory reset

 +  press both at the same time



The time switch memory is completely clear.

3. Setting date and summer- / winter changeover

This can only be done after a Reset.

Summer- / winter changeover can be made manually or automatically if set. If manual changeover is required choose **no** during the date input. Automatic changeover depends on your country / area. Choose the appropriate setting for your country / area.

Code d

[S] Press until the correct day is set

[OK] Press once

[S] Press until the correct month is set

[OK] Press once

[S] Press until the correct year is set

[OK] Press once

[S] Choose (See table below)

Choice	Summer begins	Summer ends	Country / area
E	last Sunday in march	last Sunday in October	EU
A	1 st Sunday in April	last Sunday in October	only North America
Gb	last Sunday in April	4th Sunday in October	GB
no	No changeover	No changeover	

H Enter here the date for the beginning of summer for your country / area as well as the end of summertime. E.g. 31st March is shown for the beginning of Summertime. In the following years it starts on the same day irrespective of the date.

Setting of the beginning of summer code 1

[S] Set the day

[OK] Press once

[S] Set the month

[OK] Press once

[S] Set the year

[OK] Press once

The start date is set.

End date setting code 0

Set the end date as above

After setting the summer start now set the actual time

Press [S] until display is as shown

4. Setting actual time

[OK] Press once

[S] Press until the correct hour is shown

[OK] Press once

[S] Press until the correct minute is shown

[OK] Press once

The weekday will shown automatically. Choice **no** [OK] press once Actual time is now set

5. Setting switching time

Each program has an On- and Off-time.

5.1 7 Day block program. Each day the same

[OK] Press until this display appears

[S] Set the On hour

[OK] Press once

[S] Set the On minutes

[OK] Press once

[S] Set the Off hour

[OK] Press once

[S] Set the Off minutes

[OK] Press once

End of program

5.2 Day Monday to Friday program

[OK] Press until this display appears

Set times as 5.1 above

[OK] Press once

End of program

5.3 Single day programs

[OK] Press until this display appears

[S] Set On hour

[OK] Press once

[S] Set On minute

[OK] Press once

[S] Set On Minute

[OK] Set On day

[S] Set other days as required *only if it is necessary*

[OK] Press once

[OK] Press to change to off hour

[S] Set off hour

[OK] Press once

[S] Set off minute

[OK] Press once

[OK] If the clock is on the correct day press

Otherwise use [S] [OK] to set another day

[OK] Press once

End of program

6. Check switching times

[OK] Press once

[OK] Press several times until correct „picture“ is shown

[OK] Press until the actual time is shown

END

7. Delete switching times

[OK] Press several times until correct „picture“ is shown

[OK] Press to delete program and set a new programm or-

[OK] Press until the actual time is shown

8. On and Off manual operation

[OK] Press as required

Display ● = On
Display ○ = Off

The time switch will follow the next „On“ or „Off“ program

9. Continuous switching

The switch condition **must first be chosen**

[OK] Press as required

Display ● = On
or ○ = Off

[OK] Press once to either

Display ● (On)

Display ○ (Off)

The time switch will remain in continuous „On“ or „Off“ position until it is changed.

9.1 Terminating continuous switching

[OK] Press once

The time switch returns immediately to program mode

10. Continuous switching for a chosen number of days

This function **only applies to channel 1**

The switch condition **must first be chosen**

[OK] Press to give desired function

Display ● = On
Display ○ = Off

[S] Press

[S] Press to choose the number of days (d1 to d99)

[OK] Press once

END

In the above example the time switch stays „On“ for 14 days. At 0:00 hours on the 15th day the time switch returns to its program mode.

10.1 Terminating continuous switching

[OK] Press once

11. Summer-/ Winter changeover

This function is **only available if no was chosen during date input for summer- / winter selection (see 3)**

[+1h] Press until the actual time goes forward 1 hour (summer) or back 1 hour (winter)

12. Correcting mistakes (only in the mode of programmation)

[OK] Press once

[OK] Press until actual time is displayed

END

13. Checking the date setting

This function is **not available if no was chosen during date input for summer- / winter selection (see 3)**

[OK] + [OK] Hold & Press both buttons together

END