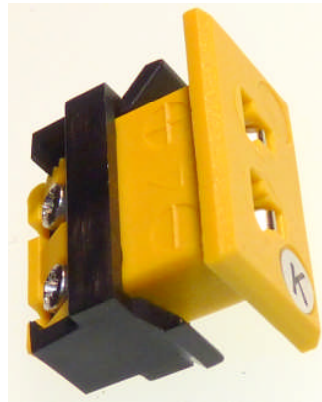


# LABFACILITY

## TEMPERATURE & PROCESS TECHNOLOGY

### ANSI Miniature Panel Sockets



*'simple fixing to panel'*

#### About Labfacility

Formed in 1971, Labfacility specialize in the field of Temperature and Process Measurement.

We are the largest UK manufacturer of both temperature sensors and thermocouple connectors

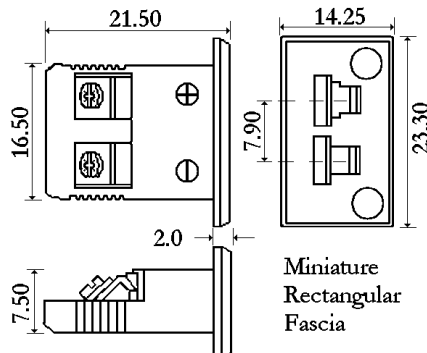
#### Quality & Service

Quality and Service are key elements in the continued growth of Labfacility.

Technical support is always freely available from our experienced technical sales teams and the company has ISO9001 accreditation.

- Miniature thermocouple fascia mounting sockets with clip
- All fascia mounting sockets are polarised by means of unequally sized pins
- Panel mounting
- Nylon clip for quick, simple fixing to panel
- For Types K, J, T contacts are made from true Thermocouple alloys
- Colour coded in accordance with ANSI specification
- Max temperature 120 deg°C

T/C Type	Colour Code (ANSI)	+Positive (alloy type)	-Negative (alloy type)	Labfacility Code	Farnell order Code
K	Yellow	+Nickel Chromium	-Nickel Alloy	AM-K-FF	234-7130
J	Black	+Iron	-Copper Nickel	AM-J-FF	234-7129
T	Blue	+Copper	-Copper Nickel	AM-T-FF	234-7132



FAR033/0613 ANSI Miniature Panel Sockets

#### Contact Details

Email [sales@labfacility.com](mailto:sales@labfacility.com)

Website [www.labfacility.com](http://www.labfacility.com)