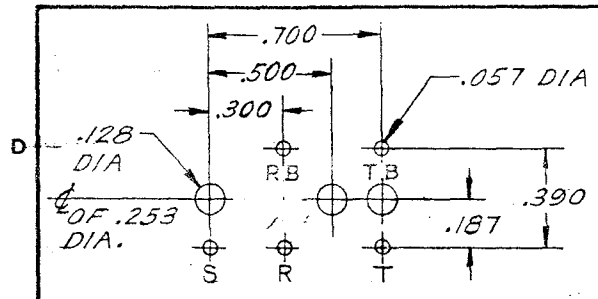
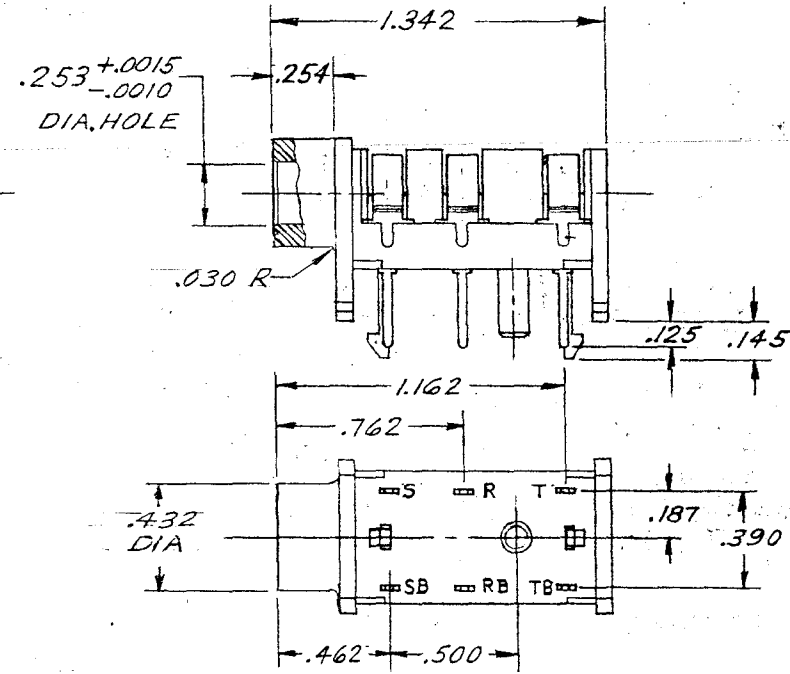
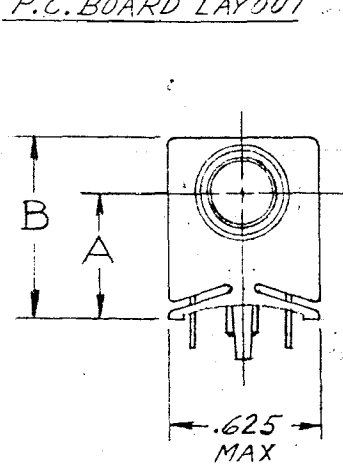


ISS	ZONE	SYM	REVISION	BY	DATE
A			ECO 16474	VL	1-9
B			ECO#20627	KS	3/6



P.C. BOARD LAYOUT



MATERIAL SPECIFICATIONS:

HOUSING: BLACK THERMOPLASTIC POLYESTER
 SPRINGS: NICKEL SILVER WITH TIN COATED
 TERMINALS.

PART NO.	DIM. A	DIM. B	SCHEM. NO.	PART REV.
SN49A-14B	.492	.708	1	D
SN49A-12B	↑	↑	2	D
SN49A-12A	↓	↓	3	D
SN49A-11	.492	.708	4	D

SCHMATIC NO. 1	SCHMATIC NO. 2	SCHMATIC NO. 3	SCHMATIC NO. 4
3 COND. "STEREO"	3 COND. "STEREO"	2 COND. "MONO"	2 COND. "MONO"

★ STAR SYMBOL DENOTES CRITICAL DIMENSION SEE S/C ENGINEERING STANDARD ES-0001

THIS DRAWING DESCRIBES A DESIGN CONSIDERED PROPRIETARY IN NATURE, DEVELOPED AND MANUFACTURED BY SWITCHCRAFT, INC. AND IS RELEASED ON A CONFIDENTIAL BASIS FOR IDENTIFICATION PURPOSE ONLY.

UNLESS OTHERWISE SPECIFIED:

DRAWN BY VL	DATE 8-17-84	FINISH
CHECKED BY VL	DATE 8-17-84	PER FINISH SPEC. NO.
APPROVED BY KR	DATE 8-17-84	MATERIAL
SCALE 2X		PER MAT. SPEC. NO.

7- REMOVE ALL BURRS.
 8- PART TO BE FABRICATED AS SPECIFIED. MAKE NO DIMENSIONAL ALLOWANCES FOR APPLIED FINISHES, I.E. PLATING, PAINTING, ETC.
 9- HOLES ON SAME CENTERLINE MUST BE ALIGNED WITHIN ± .002

DO NOT SCALE DRAWING

NAME PHONE JACK INSULATED BUSHING	PART NO. SN 49A-***	ISSUE B
SHEET 1 OF 1		

ROUTING: (1) (2) (4)