

Metal switch medium stroke, snap-in, Switching Voltage up to 250V



MSM 22 SI snap in mounting

Description

- Switches with snap-in mounting from the front side
- Available in version Standard, lettered, with Point Illumination or Ring Illumination - Further characteristics see MSM 22 data sheet

Characteristics

- Housing and actuator made of high quality stainless steel
- Quick Assembly by snap-in mounting from the front side
- Short Mounting Depth, for assembly with no access from rear side

Weblinks

[html-datasheet](#), [General Product Information](#), [Approvals](#), [CE declaration of conformity](#), [RoHS](#), [CHINA-RoHS](#), [e-Shop](#), [CAD-Drawings](#), [Product News](#), [Detailed request for product](#)

Technical Data

Electrical Data

Data See MSM data sheet

Mechanical Data

Mounting	snap-in
Mounting	Ø 22 mm
Diameter	
Drilling tolerance	max. 0.15 mm / Drilling edges free of burrs
Panel Thickness	1.5; 2.0; 2.5; 3.0mm
Mounting Force	50 - 100 N
Data	See MSM data sheet

Climatical Data

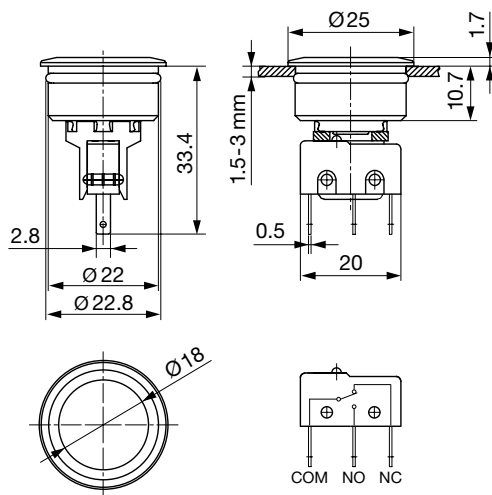
Data See MSM data sheet

Material

Housing	Stainless Steel
Gasket	NBR70

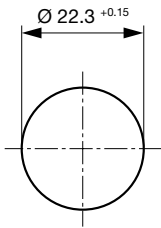
Dimensions

MSM 22 SI



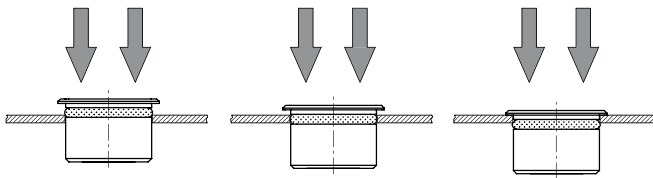
Dimensions

SI 22



Mounting instructions

Mounting diagram



The assembly becomes effective by the force fitting of the switch into the drilling hole, whereas the O-ring will be displaced. After inserting the switch through the drilling hole, the O-ring expands and the switch is fixed in the drilling hole.

Variants

Diameter	Switching Current	Switching Voltage	Illumination, LED	Panel Thickness	Config. Code	Order Number
[mm]	[A]	[VAC/ VDC]				
22	5 / 3 A	125 / 250 VAC	non-illuminated	1.5mm	MSM 22 SI ST	1241.6695.1120000
22	5 / 3 A	125 / 250 VAC	non-illuminated	2mm	MSM 22 SI ST	1241.6699.1120000

Legend:

Type:

SI = Snap-in mounting versions

ST = Standard: not lettered

LE = Lettering: lettered

PI = Point Illumination: Lettering possible

RI = Ring Illumination: Lettering possible

BL = Full Surface Backlighting: Lettering possible

Point illuminated versions without resistors, details see MSM data sheet

Further snap-in versions and customer-specific solutions on request.

Packaging unit

10 blistered in boxes (10 pcs.)