

temporary switch double pole



MSM 19 DP PI red



Description

- Available in version Standard, lettered, with Point Illumination or Ring Illumination
- Assembly method: clip micro-switch into the saddle, secure switch using mounting nut
- Equipped with flat-pin plugs to permit fast connection

Standards

- DIN EN 61058-1
- UL 1054

Approvals

- Low Voltage Directive 2006/95/EC Low Voltage Directive 2006/95/EC
- VDE / ENEC Certificate Number (Omron): 40008425, 129246, 125256
- UL / CSA File Number (Omron): E41515
- VDE / ENEC Certificate Number (Marquardt): 097550
- UL / CSA File Number (Marquardt): E41791
- KEMA / ENEC File Number (Cherry): 2089323.01
- UL / CSA File Number (Cherry): E23301

Characteristics

- Housing and actuating area material: high-quality stainless steel for use in harsh environments
- Variety of design options regarding size, colour, illumination, connection or lettering
- Switching voltage from 30 VDC to 250 VAC, switching current from 0.1 A to 10 A
- optional with point or ring illumination
- double pole version with two switching contact sets, can be wired as NO, NC or as change-over
- IP-Protection: IP 67 from front side to contact area, Micro-Switch is available in versions IP 40 or IP 67, moving actuator is rated IP 40 to frontside

References

- Alternative: single-pole switch:
- Alternative: switch with latching function:
- Alternative: switch with backlighted illumination:

Weblinks

[html-datasheet](#), [General Product Information](#), [Approvals](#), [CE declaration of conformity](#), [RoHS](#), [CHINA-RoHS](#), [e-Shop](#), [CAD-Drawings](#), [Product News](#), [Detailed request for product](#)

Technical Data**Electrical Data**

Switching Function	N.O., N.C., N.O./N.C.
Number of Poles	2 pole
Supply Voltage	24 / 12 / 5 VDC Ring Illumination, without series resistor Point Illumination, LED operating data are listed in separate table
Surge Strength	4 kV MSM ST / MSM LE

Micro Switch 5 A / 125 VAC or 3 A / 250 VAC, IP40

Contact Material	Ag
Switching Voltage	max. 125 / 250 VAC
Switching Current	max. 5 / 3 A
Rated Breaking Capacity	750 W
Lifetime	0.2 mill. actuations at Rated Braking Capacity
Contact Resistance	< 30 mΩ
Insulation Resistance	> 100 MΩ
Duration of Bounce	< 5 ms

Micro Switch 0,1 A / 30 VDC, IP40

Contact Material	Au
Switching Voltage	max. 30 VDC
Switching Current	max. 0.1 A
Rated Breaking Capacity	3 W
Lifetime	0.2 mill. actuations at Rated Braking Capacity
Contact Resistance	< 50 mΩ
Insulation Resistance	> 100 MΩ
Duration of Bounce	< 5 ms

Micro Switch for Electrical Rating 10 A / 250 VAC (Protection Class IP40)

Contact Material	Ag
Switching Voltage	max. 250 VAC
Switching Current	max. 10 A
Rated Breaking Capacity	2500 W
Lifetime	0.2 mill. actuations at Rated Braking Capacity
Contact Resistance	< 30 mΩ
Insulation Resistance	> 100 MΩ
Duration of Bounce	< 5 ms

Micro Switch 5 A / 250 VAC, IP67

Switching Voltage	max. 250 VAC
Switching Current	max. 250 VAC
Rated Breaking Capacity	1250 W
Lifetime	0.05 mill. actuations at Rated Braking Capacity

Micro Switch 0,1 A / 250 VAC, IP67 - on request

Switching Voltage	max. 250 VAC
Switching Current	max. 0.1
Rated Breaking Capacity	25 W
Lifetime	0.05 mill. actuations at Rated Braking Capacity

Micro Switch 10 A / 250 VAC, IP67 - on request

Switching Voltage	max. 250 VAC
Switching Current	max. 10 A
Rated Breaking Capacity	2500 W
Lifetime	0.01 mill. actuations at Rated Braking Capacity

Mechanical Data

Actuating Force	5.0 N
Actuating Travel	1.0 mm, for mounting diameter 19, 22 mm 1.2 mm for mounting diameter 30 mm
Lifetime	1.5 mill. actuations
Shock Protection	IK 07
Starting Torque Plastic Nut	max. 4.5 Nm for thread M19, 3.5 Nm for M22, 8 Nm for M30
Starting Torque Stainless Steel Nut	max. 12 Nm for thread M19, 16 Nm for M22, 50 Nm for M30

Climatical Data

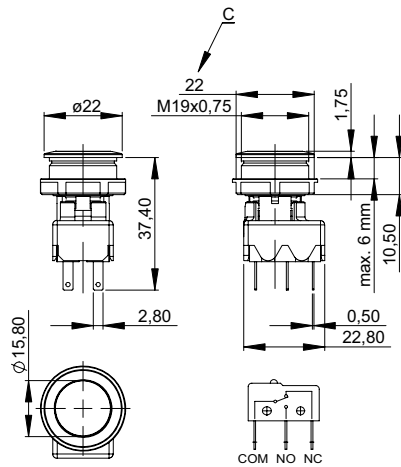
Operating Temperature	-25 to +85 °C
Storage Temperature	-25 to +85 °C
IP-Protection	IP 67 Front Side Contact Area, IP 40 Front Side mechanical, IP 40 / IP 67 Rear Side Contact Area optional
Salt Spray Test (acc. to DIN 50021-SS)	24 h / 48 h / 96 h Residence Time

Material

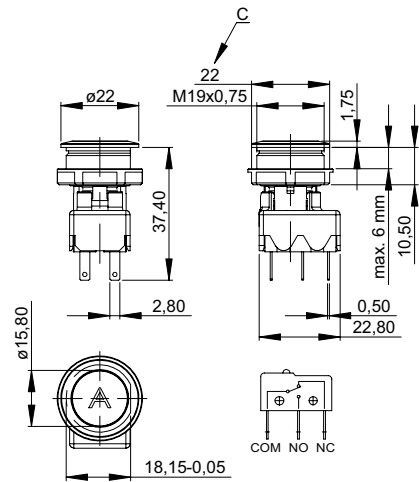
Housing	Stainless Steel
Actuator	Stainless Steel
Light Conductor (Point Illumination)	PC
Illuminated Ring (Ring Illumination)	PA
Gasket	NBR70
Switcher Collet	PA
Intermediate Connector non-illuminated	PA
Intermediate Connector illuminated	PA
Switcher Adapter	PA

Dimensions

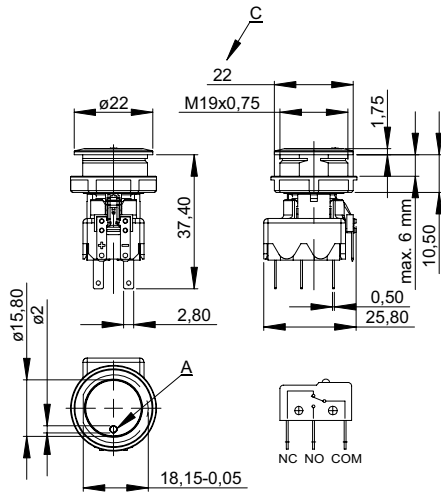
MSM 19 DP ST



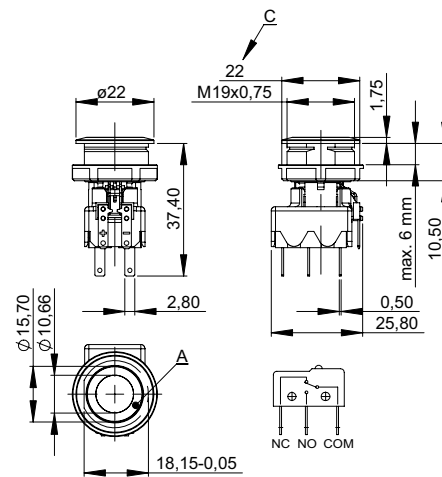
MSM 19 DP LE



MSM 19 DP PI



MSM 19 DP RI

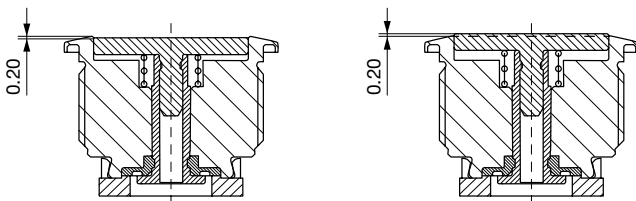


Legend

- A = Illumination Area
- B = Actuating Area
- C = Width Across Flats
- D = Nut

Tolerance Range

Actuator Tolerance Range



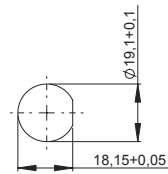
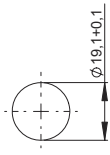
The mounting tolerance range of the actuator varies from 0.2 mm projection length and 0.2 mm short length to the housing edge. The slanting position of the actuator can range within this tolerance.

The mounting tolerance range of the actuator varies from 0.2 mm projection length and 0.2 mm short length to the housing edge. The slanting position of the actuator can range within this tolerance.

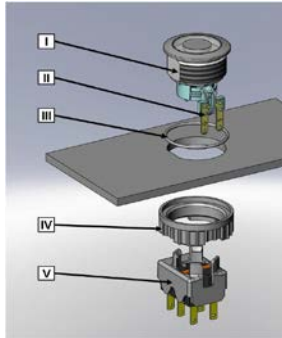
Dimensions

MSM 19 DP ST / MSM 19 DP RI

MSM 19 DP LE / MSM 19 DP PI /
MSM 19 DP RI optional



Mounting instructions



I Housing

II Flat Pin Terminal (Illumination)

III Gasket

IV Nut (Nut type see Dimensions)

V Module Switching Contact

Installation Instruction:

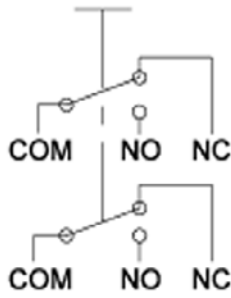
- 1.) Place the gasket accurately on the actuator housing. Then mount the actuator housing assembly into the panel.
- 2.) Tighten the screw nut according to the torque instructions.
- 3.) Clasp the module switching contact into the actuator housing.

Installation information:

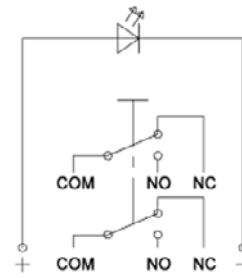
- 1.) The power supply and the configuration of the flat pin terminals have to be installed correctly for the illumination and micro switch function.
- 2.) Insulate the terminals as required. Fully insulated plug-in sleeves are recommended.
- 3.) Installation instructions according to VDE-standard DIN VDE 0100-100 or alternatively IEC 60354 standard

Diagrams

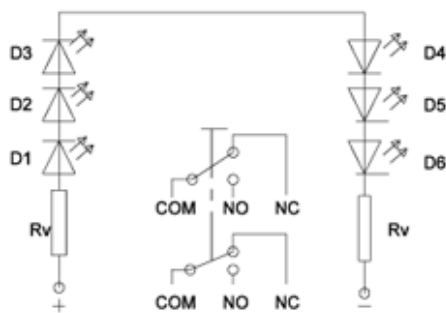
MSM DP ST / MSM DP LE



MSM DP PI



MSM DP RI



Point Illumination

Operating Data	Forward Current max.	Forward Voltage at 10 mA	Forward Voltage at 8 mA
LED red	30 mA	1.9 VDC	
LED green	30 mA	2.1 VDC	
LED yellow	30 mA	2.1 VDC	
LED blue	20 mA		3.7 VDC
LED white	30 mA		

Attention: Switches are delivered without series resistor.

Recommendation of series resistors for point illumination

LED-Color	I _D [mA]	I _{DMax} [mA]	U _V 5				U _V 12				U _V 24			
			R _V [Ω]	R _V ^{E24} [Ω]	P _V [W]**	R _V [Ω]	R _V ^{E24} [Ω]	P _V [W]**	R _V [Ω]	R _V ^{E24} [Ω]	P _V [W]			
red	10	---	310	330	0,03	1010	1000	0,10	2210	2200	0,22			
	---	30	67	68	0,06	300	300	0,27	700	750	0,63			
green	10	---	290	300	0,03	990	1000	0,10	2190	2200	0,22			
	---	30	67	68	0,06	300	300	0,27	700	750	0,63			
Yellow	10	---	290	300	0,03	990	1000	0,10	2190	2200	0,22			
	---	30	67	68	0,06	300	300	0,27	700	750	0,63			
blue	8	---	163	160	0,01	1038	1100	0,07	2538	2700	0,16			
	---	20	25	27	0,01	375	390	0,15	975	1000	0,39			
white	10	---	140	150	0,01	840	820	0,08	2040	2200	0,20			
	---	30	33	33	0,03	267	270	0,24	667	680	0,60			




- I_D LED-Forward Current [8mA/10mA]
- I_{DMax} LED-Forward Current max. [20mA/30mA]
- R_V Series Resistor (calculated)
- R_V^{E24} Series Resistor (regarding E24-Resistor series)
- P_V Power dissipation concerning R_V (calculated)

Lettering

The last three digits in the order number define the lettering:

000	No Lettering
001-074	Standard Lettering
101-	Customized Lettering

Order Index Lettering

001 = A	021 = U	041 = ÷	061 = EIN
002 = B	022 = V	042 = *	062 = AUS
003 = C	023 = W	043 = =	063 = AUF
004 = D	024 = X	044 = #	064 = AB
005 = E	025 = Y	045 = ↔	065 = ON
006 = F	026 = Z	046 = †	066 = OFF
007 = G	027 = 0	047 = →	067 = UP
008 = H	028 = 1	048 = ←	068 = DOWN
009 = I	029 = 2	049 = ↓	069 = HIGH
010 = J	030 = 3	050 = ↑	070 = LOW
011 = K	031 = 4	051 = %	071 = ON/OFF
012 = L	032 = 5	052 = √	072 = START
013 = M	033 = 6	053 = CTRL	073 = RESET
014 = N	034 = 7	054 = RETURN	074 = 
015 = O	035 = 8	055 = SHIFT	075 = 
016 = P	036 = 9	056 = LOCK	076 = 
017 = Q	037 = +	057 = STOP	
018 = R	038 = -	058 = ENTER	
019 = S	039 = .	059 = BACK	
020 = T	040 = x	060 = LINE	

Lettering Colour of Laser Lettering

Material	Lettering Colour	
Stainless Steel	black	Filled letters

For further Lettering details see also weblink:

[General Product Information](#)

Variants

Diameter	Switching Current	Switching Voltage	Illumination, LED	Housing Material, Twist Protection	Actuator Material	Config. Code	Order Number
[mm]	[A]	[VAC/ VDC]					
19	5 / 3 A	125 / 250 VAC	non-illuminated	Stainless Steel ,no	Stainless Steel	MSM 19 DP ST	1241.6921.1120000
19	5 / 3 A	125 / 250 VAC	non-illuminated	Stainless Steel ,yes	Stainless Steel	MSM 19 DP LE	1241.6922.1120000
19	5 / 3 A	125 / 250 VAC	Point Illumination, red	Stainless Steel ,yes	Stainless Steel	MSM 19 DP PI red	1241.6923.1121000
19	5 / 3 A	125 / 250 VAC	Point Illumination, green	Stainless Steel ,yes	Stainless Steel	MSM 19 DP PI green	1241.6923.1122000
19	5 / 3 A	125 / 250 VAC	Point Illumination, blue	Stainless Steel ,yes	Stainless Steel	MSM 19 DP PI blue	1241.6923.1124000
19	5 / 3 A	125 / 250 VAC	Ring Illumination, red, 24 VDC	Stainless Steel ,yes	Stainless Steel	MSM 19 DP RI red	1241.6924.1121000
19	5 / 3 A	125 / 250 VAC	Ring Illumination, green, 24 VDC	Stainless Steel ,yes	Stainless Steel	MSM 19 DP RI green	1241.6924.1122000
19	5 / 3 A	125 / 250 VAC	Ring Illumination, blue, 24 VDC	Stainless Steel ,yes	Stainless Steel	MSM 19 DP RI blue	1241.6924.1124000

Legend:

Type:

SI = Snap-in mounting versions

ST = Standard: not lettered

LE = Lettering: lettered

PI = Point Illumination: Lettering possible

RI = Ring Illumination: Lettering possible

BL = Full Surface Backlighting: Lettering possible

Alu red = red anodized aluminum housing, actuator stainless steel
1241.6622.3120062 -> 3 last numbers (062) see Order Index Lettering

IP-Protection: IP 67 from front side to contact area, Micro-Switch is available in versions IP 40 or IP 67, see Technical Data Micro-Switch

Ring illuminated versions: 24 VDC supply voltage (12 and 5 VDC on request)

Customer-specific versions on request

The nut with gasket and micro switch are enclosed in the box.

Packaging unit 10 blistered in boxes (10 pcs.)

Accessories**Description**

Installation Wrench MSM 22
Installation wrench