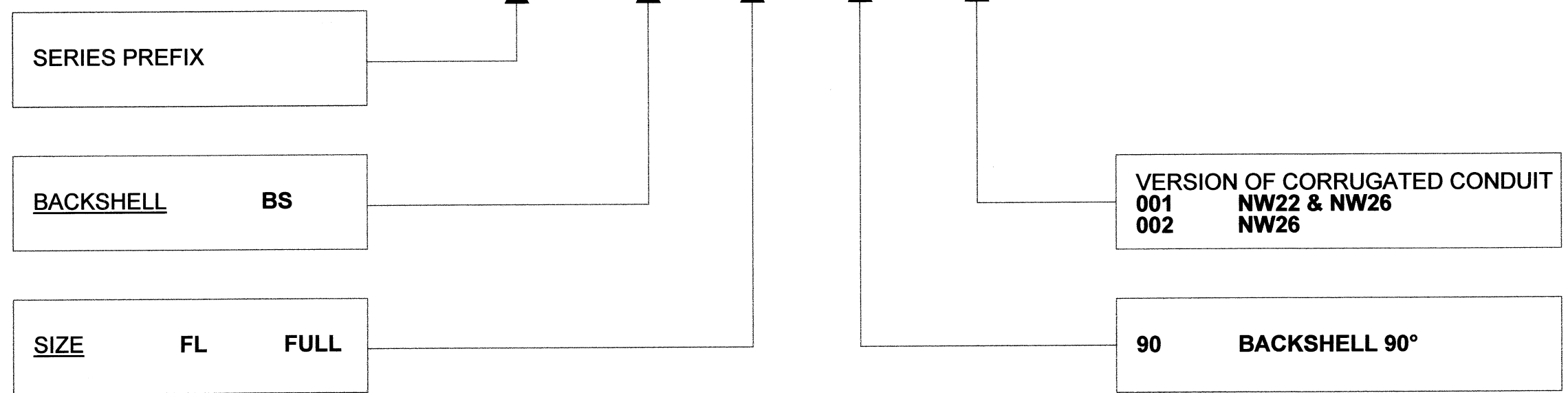


7 6 5 4 3 2 1

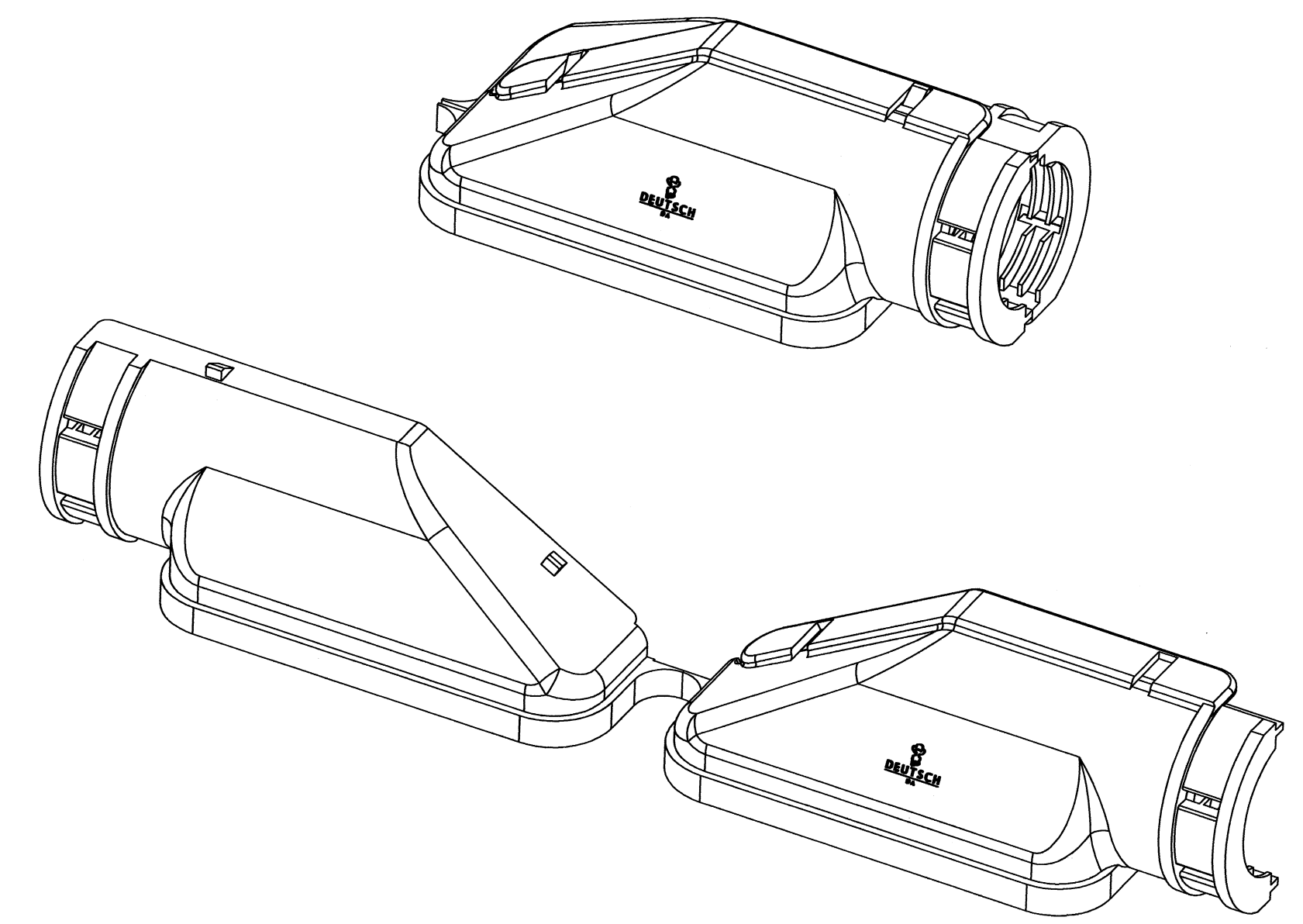
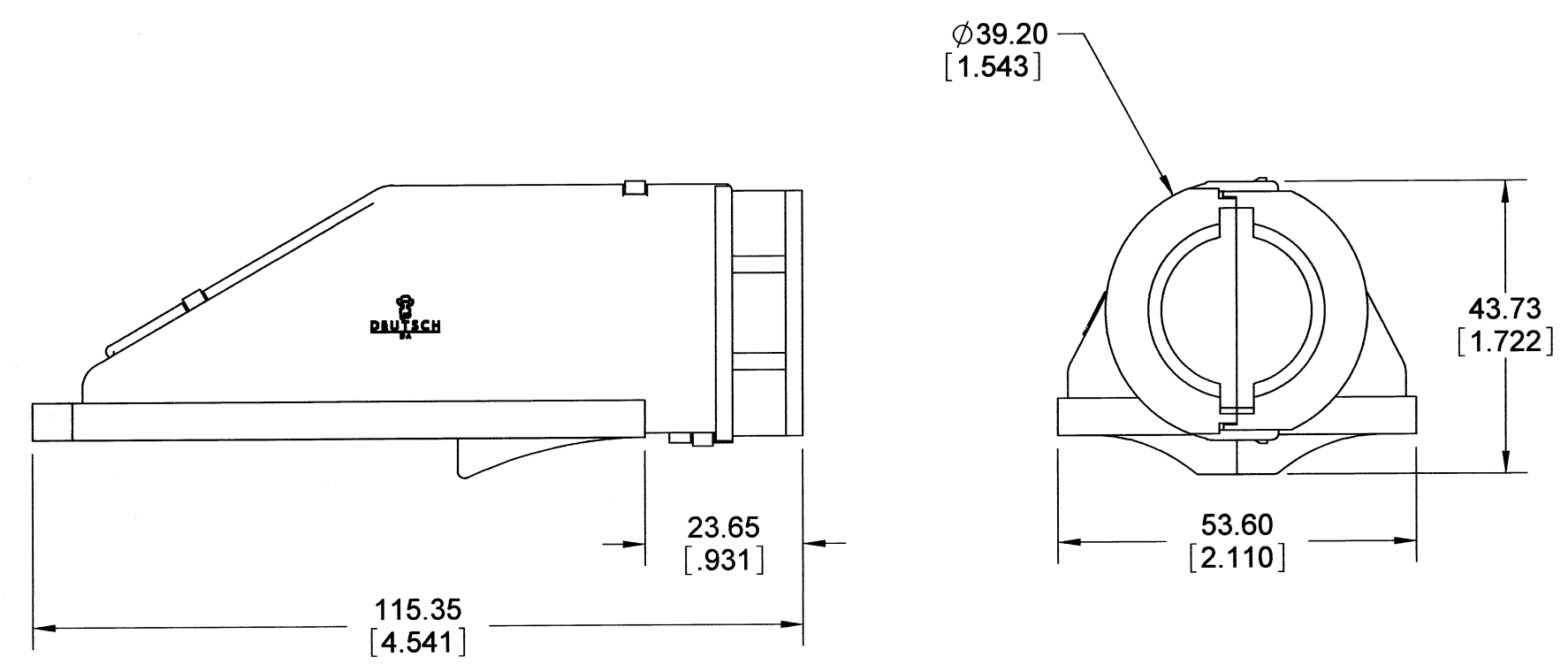
REV		REVISIONS		
SYM	DESCRIPTION	DATE	APPROVED	
C	SRK-BS-FL-90-***			
B	NEW RELEASE PER E.O. P20387	12-1-09	R.D.R.	
C	REVISED AND REDRAWN PER E.O. P20601	9-7-10	RDR	

SRK - BS - FL - 90 - 001



CONVOLUTE REQUIREMENTS:

RATED 125°C
 NW22
 OUTER Ø=25.40 [1.000]
 INNER Ø=21.30 [.839]
 PITCH=3.10 [.122]
 NW26
 OUTER Ø=31.20 [1.228]
 INNER Ø=25.80 [1.016]
 PITCH=3.40 [.134]



- 4. MATERIAL: PLASTIC; COLOR: BLACK.
- 3. THIS PART SNAPS ONTO SRK02-FL*... AND SRK06-FL*...
 *= KEYS; *** = SEE 37322C-00013-01 FOR ARRANGEMENTS.
- 2. DIMENSIONAL TOLERANCE: $\pm .64$ [.025].
- 1. ALL DIMENSIONS ARE IN MILLIMETERS [INCHES].

NOTES: UNLESS OTHERWISE SPECIFIED

SIGNATURE & DATE	
DR	JAIME APOSTOL 30AUG2010
CHK	D. Meyer 9/2/10
PE	D. Meyer 9/2/10
APPD	R. Reed 9-7-10
SCALE	NONE
WT	32.10 g

**BACKSHELL 90°
 FULL SIZE (FL)
 SRK SERIES**

ENVELOPE

EP 201	MATL CODE 89
3850 INDUSTRIAL AVE. HEMET, CA 92545	
SRK-BS-FL-90-***	
DWG SIZE	SHEET 1 OF 1

7 6 5 4 3 2 1