

7 6 5 4 3 2 1

**SRK - BS - MD - ST - 001**

REV C SRK-BS-MD-ST-\*\*\*

REVISIONS			
SYM	DESCRIPTION	DATE	APPROVED
A	NEW RELEASE PER E.O. P20387	12-1-09	R.D.R.
B	REVISED AND REDRAWN PER E.O. P20599	8-30-10	R.D.R.
C	REVISED AND REDRAWN PER E.O. P20767	1-14-11	ASR

SERIES PREFIX

BACKSHELL BS

SIZE MD MEDIUM

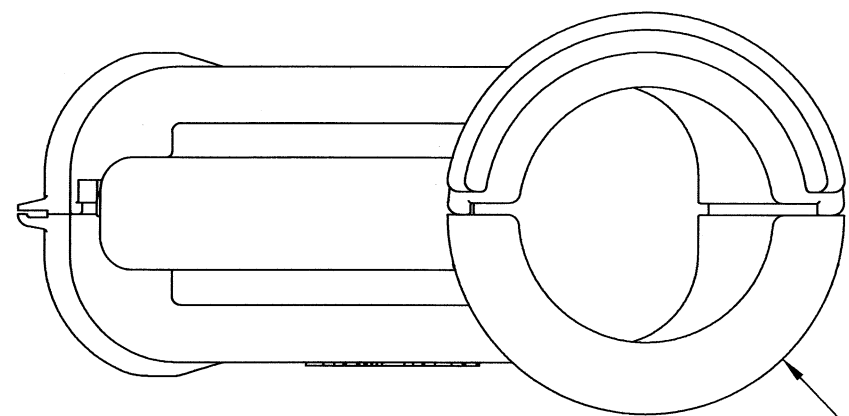
VERSION OF CORRUGATED CONDUIT  
001 NW17  
002 NW22

ST STRAIGHT

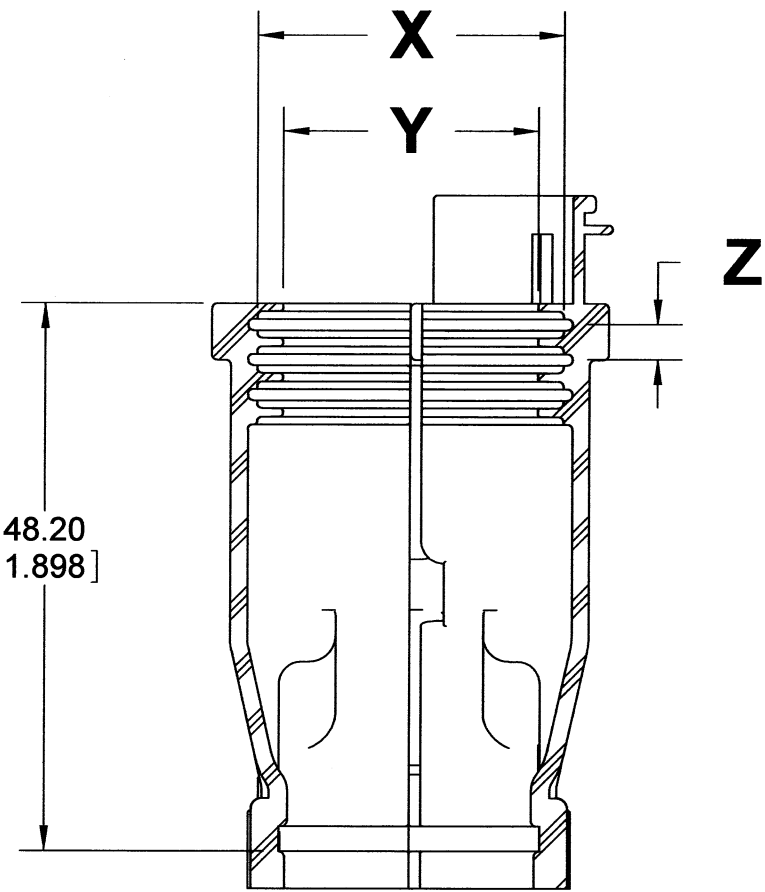
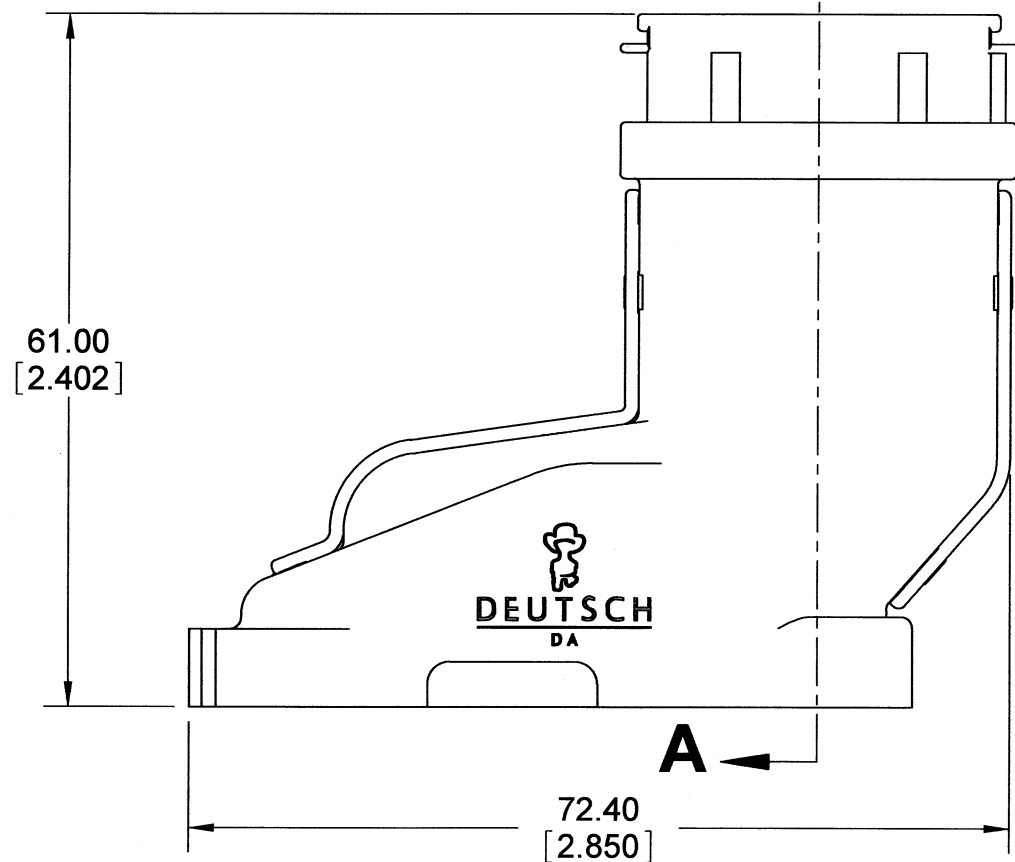
**CONVOLUTE REQUIREMENTS:**

RATED 125°C  
NW17  
OUTER Ø=21.20 [.835]  
INNER Ø=16.60 [.654]  
PITCH=2.30 [.091]  
NW22  
OUTER Ø=25.40 [1.000]  
INNER Ø=21.30 [.839]  
PITCH=3.10 [.122]

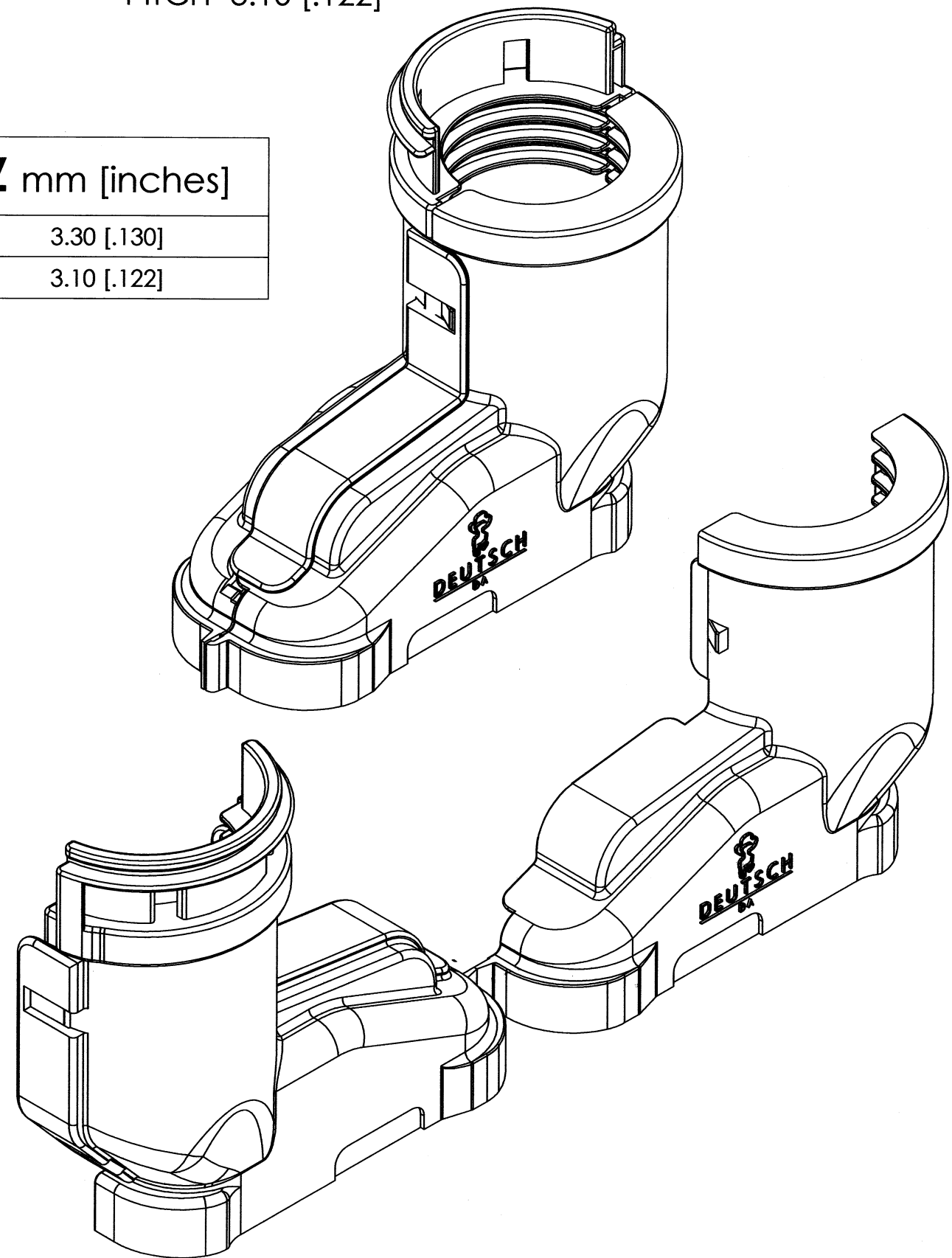
VERSION OF CONDUIT	X mm [inches]	Y mm [inches]	Z mm [inches]
001	23.00 [.906]	17.80 [.701]	3.30 [.130]
002	27.00 [1.063]	22.50 [.886]	3.10 [.122]



Ø35.00 [1.378]



**SECTION A-A**



- 4. MATERIAL: PLASTIC; COLOR: BLACK.
- 3. THIS PART SNAPS ONTO SRK02-MD\*... AND SRK06-MD\*...  
\* = KEYS; \*\*\* = SEE 37322C-00013-01 FOR ARRANGEMENTS.
- 2. DIMENSIONAL TOLERANCE: ±.64 [.025].
- 1. ALL DIMENSIONS ARE IN MILLIMETERS [INCHES].

NOTES: UNLESS OTHERWISE SPECIFIED

SIGNATURE & DATE	
DR	JAIME APOSTOL 27AUG2010
CHK	D. Meyer 1/14/11
PE	D. Meyer 1/14/11
APPD	P. Reed 1-14-11
SCALE	NONE
WT	16.80 g

BACKSHELL STRAIGHT  
MEDIUM SIZE (MD)  
SRK SERIES

EP 201	MATL. CODE 89
3850 INDUSTRIAL AVE. HEMET, CA 92545	
<b>C SRK-BS-MD-ST-***</b>	
DWG. SIZE	CODE 11139
SHEET 1 OF 1	

ENVELOPE

7 6 5 4 3 2 1