

# MICRO SWITCH

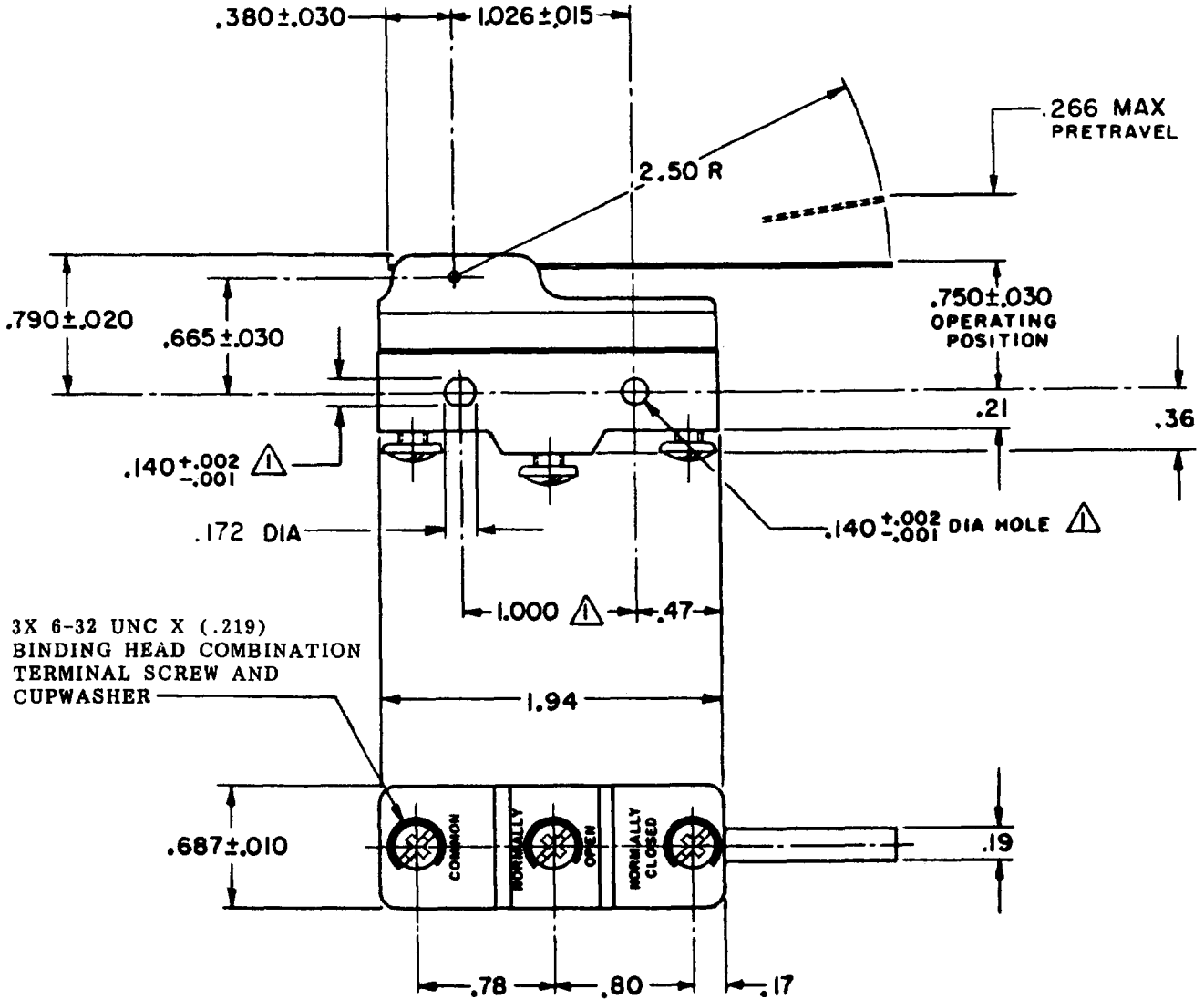
A DIVISION OF MINNEAPOLIS-HONEYWELL REGULATOR COMPANY  
MINNEAPOLIS, MINNESOTA

FED. MFR. CODE 91929

## SWITCH - BASIC

CATALOG LISTING

**BZ-RW84-A2**



NOTE -  
 ▲ MOUNTING HOLES WILL ACCEPT PINS OR SCREWS  
 OF .139 MAX DIA ON 1.000 ±.002 CENTERS

THIS DRAWING COVERS A PROPRIETARY ITEM AND IS THE PROPERTY OF MICRO SWITCH, A DIVISION OF MINNEAPOLIS-HONEYWELL REGULATOR CO. THIS DRAWING IS NOT TO BE COPIED OR USED WITHOUT THE APPROVAL OF MICRO SWITCH.

CHARACTERISTICS	ELECTRICAL DATA	SCALE FULL
OPERATING FORCE----- 3/4 OZ MAX	CONTACT ARRANGEMENT S P D T	DO NOT SCALE PRINT
RELEASE FORCE----- 1/8 OZ MIN	L103 15A 125, <u>250</u> OR 480 VAC 1/8HP 125 VAC, 1/4HP <u>250</u> VAC	UNLESS OTHERWISE SPECIFIED DIMENSIONS ARE IN INCHES
DIFFERENTIAL TRAVEL----- .003-.015	L288	<b>TOLERANCES ARE:</b>
OVERTRAVEL----- .219 MIN	L299	ONE PLACE (.0) ±.030
	L306	TWO PLACE (.00) ±.015
	CE Ⓟ R Ⓟ	THREE PLACE (.000) ±.005
	16A 250V ~ T85 5E4	ANGLES ±
		WEIGHT .073 LB

CATALOG LISTING  
**BZ-RW84-A2**  
 PAGE 1 OF 1  
**M**  
 ISSUE 11  
 REVISIONS  
 A CO 16736 S C H 27 APRIL 62  
 B CO 23645 M B F 23 JAN 68  
 C CO-73287-J J A L 22 NOV 93  
 D CO-77589 J A L 30 MAR 94  
 E 203155 C S L 24 MAY 01  
 RASTER  
 0-30378  
 DRAWN  
 G C H 27 APRIL 62  
 CHECK DAW 29 MAY 62  
 CHECK  
 RELEASE NO.  
 REPLACES

# MICRO SWITCH

A DIVISION OF MINNEAPOLIS-HONEYWELL REGULATOR COMPANY  
MINNEAPOLIS, MINNESOTA

FED. MFR. CODE 91929

## SWITCH - BASIC

CATALOG LISTING

BZ-RW84-A2

M BZ-RW84-A2

DRAWING NUMBER

ISSUE

10

REPLACES

RELEASE NO.

CHECK

CHECK

29 MAY 62

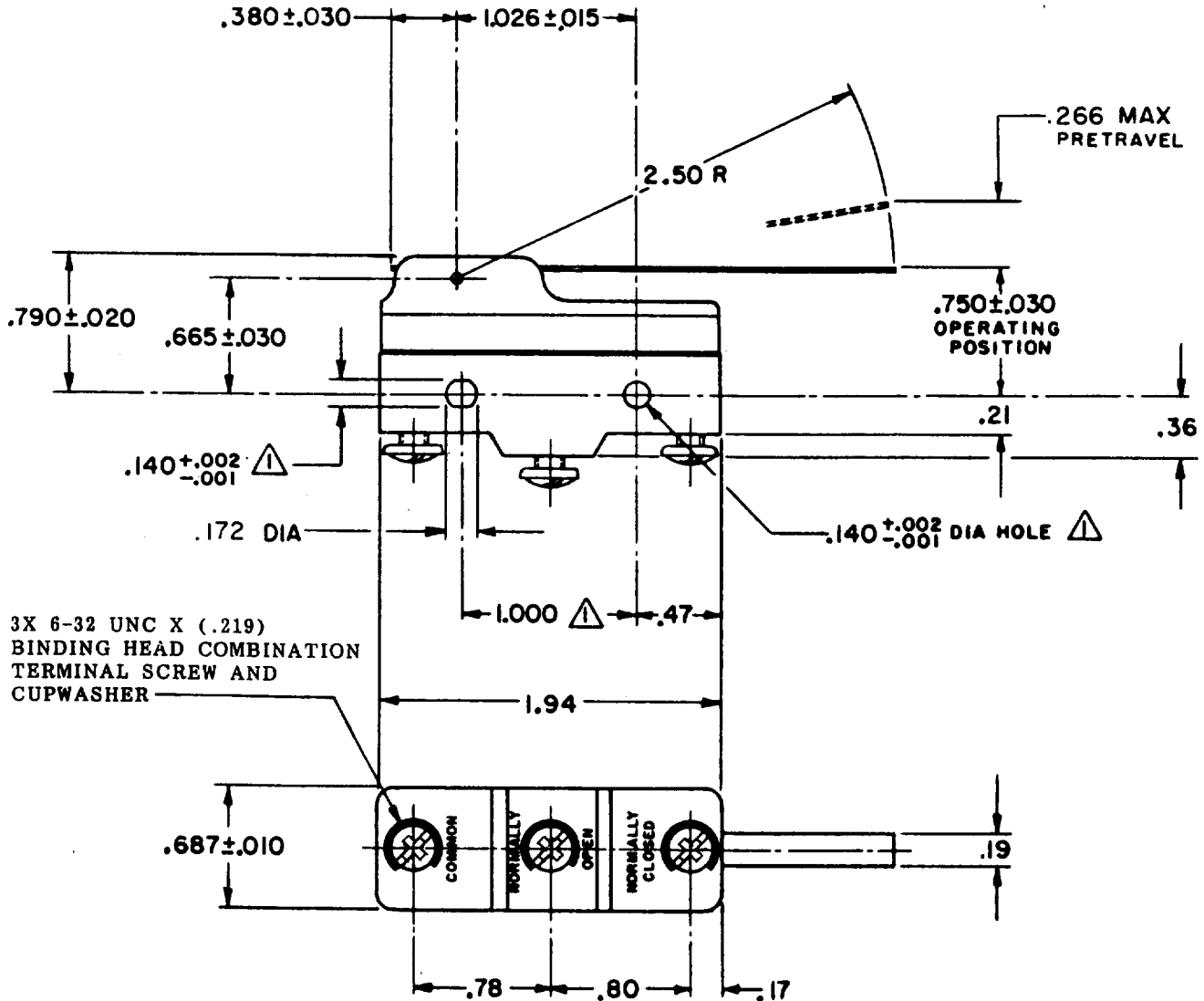
DAW

CHECK

27 APRIL 62

DRAWN

GCH



NOTE -  
 - MOUNTING HOLES WILL ACCEPT PINS OR SCREWS OF .139 MAX DIA ON 1.000 ± .002 CENTERS

THIS DRAWING COVERS A PROPRIETARY ITEM AND IS THE PROPERTY OF MICRO SWITCH, A DIVISION OF MINNEAPOLIS-HONEYWELL REGULATOR CO. THIS DRAWING IS NOT TO BE COPIED OR USED WITHOUT THE APPROVAL OF MICRO SWITCH.

### CHARACTERISTICS

OPERATING FORCE----- 3/4 OZ MAX  
 RELEASE FORCE----- 1/8 OZ MIN  
 DIFFERENTIAL TRAVEL ----- .003-.015  
 OVERTRAVEL ----- .219 MIN

### ELECTRICAL DATA

CONTACT ARRANGEMENT  
 S P D T

UNDERWRITERS' LAB. INC. LISTED RATING  
 -L103- 15 A-125, 250 OR 480 VAC  
 1/8 HP-125 VAC; 1/4 HP-250 VAC



### SCALE FULL

DO NOT SCALE PRINT

UNLESS OTHERWISE SPECIFIED  
 DIMENSIONS ARE IN INCHES

**TOLERANCES ARE:**  
 ONE PLACE (.0) ± .030  
 TWO PLACE (.00) ± .015  
 THREE PLACE (.000) ± .008  
 ANGLES ±

WEIGHT .073 LB