

MICRO SWITCH

A DIVISION OF MINNEAPOLIS-HONEYWELL REGULATOR COMPANY
MINNEAPOLIS, MINNESOTA

FED. MFR. CODE 91929

SWITCH - BASIC

CATALOG LISTING

BA - 2RV22

BA - 2RV22
ISSUE 4

M BA - 2RV22
PAGE 1 OF 1

DRAWING
NUMBER

M12

ISSUE

1

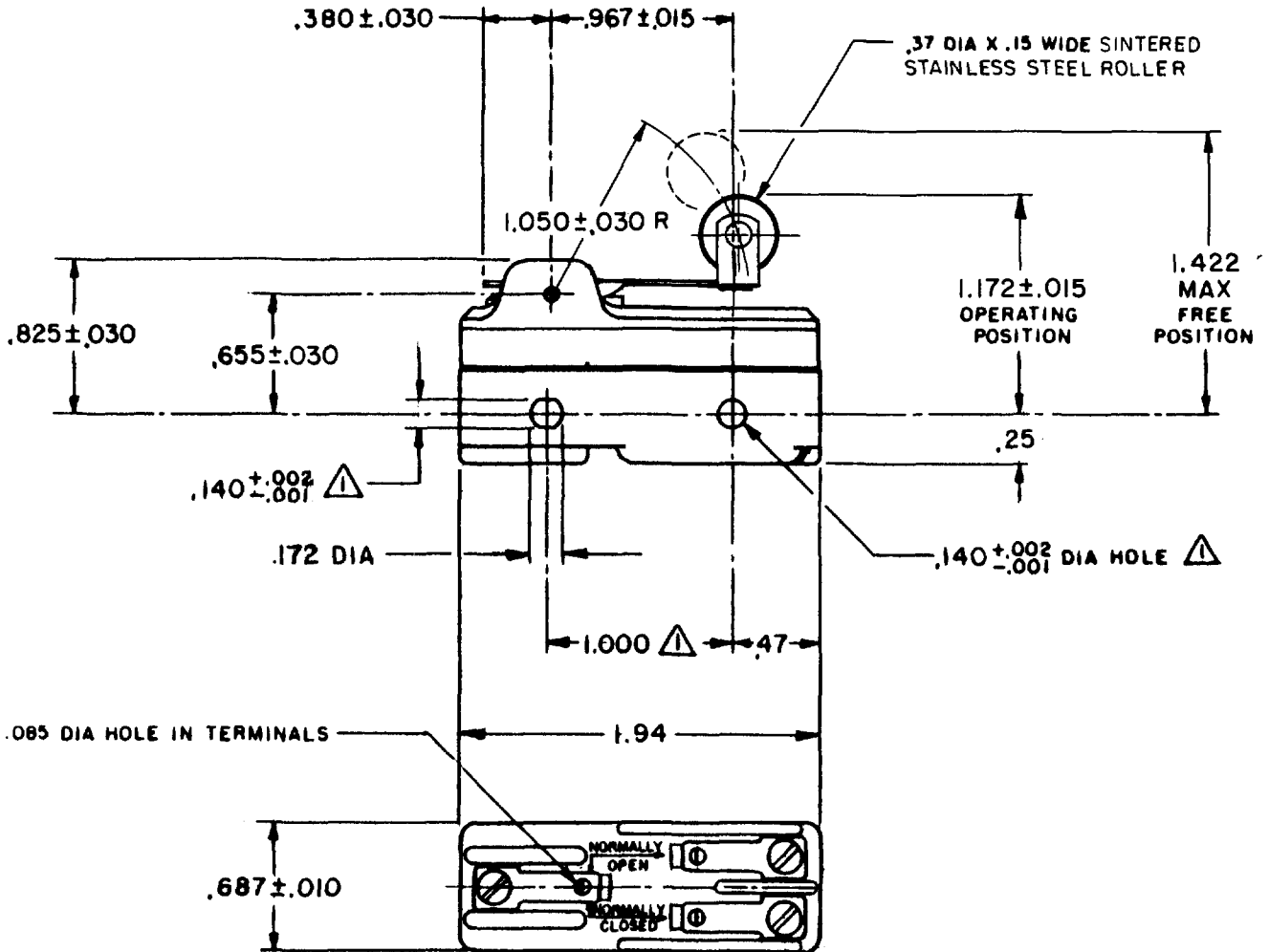
REPLACES

RELEASE NO.

CHECK

REVISIONS

A	CO 15863	15 DEC 61
B	CO34312	
D	BW 25 APR 75	
C	CO - 70184-9	6 MAR 92
G	JW 72397	
J	CO - 30A PR92	30A PR92
E	CO - 75204B	1 FEB 94
F	CO 77590	10 JUN 94
G	CO93346	26 AUG 98
H	CO - 94212 - C	20 SEP 99



NOTE
MOUNTING HOLES WILL ACCEPT PINS OR SCREWS
OF .139 MAX DIA ON 1.000 ± .002 CENTERS.

THIS DRAWING COVERS A PROPRIETARY ITEM AND IS THE PROPERTY OF MICRO SWITCH, A DIVISION OF MINNEAPOLIS-HONEYWELL REGULATOR CO. THIS DRAWING IS NOT TO BE COPIED OR USED WITHOUT THE APPROVAL OF MICRO SWITCH.

CHARACTERISTICS	ELECTRICAL DATA	SCALE --- FULL
OPERATING FORCE ----- 6' OZ MAX	CONTACT ARRANGEMENT S P D T	DO NOT SCALE PRINT
RELEASE FORCE ----- 1 1/2 OZ MIN	L23 UNDERWRITERS' LAB. INC. LISTED RATING 20A - 125, 250 OR 480 VAC 10A - 125 VAC "L" 1HP - 125 VAC, 2HP - 250 VAC 1/2A - 125 VDC, 1/4A - 250 VDC	UNLESS OTHERWISE SPECIFIED DIMENSIONS ARE IN INCHES TOLERANCES ARE:
PRETRAVEL ----- .250 MAX	L288 L299 L308	ONE PLACE (.0) ±.030 TWO PLACE (.00) ±.015 THREE PLACE (.000) ±.005 ANGLES ±
DIFFERENTIAL TRAVEL ----- .045 MAX	CE D SA 20(3)A 250V ~ T85 5E4	WEIGHT .060 LB
OVERTRAVEL ----- .030 MIN		

FORMTEK
FO-50378

DRAWN

G C H 15 DEC 61