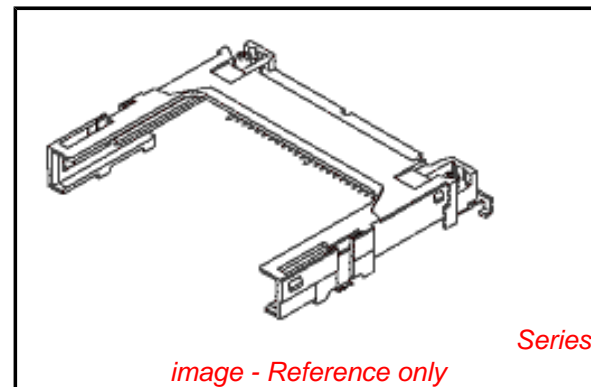


PLEASE CHECK WWW.MOLEX.COM FOR LATEST PART INFORMATION

Part Number: [55358-5029](#)
Status: **Active**
Description: 1.27mm Pitch CF Card Header- Right Angle, SMT Top Mounting for Type I and II Cards, Lead-Free

Documents:

3D Model	Product Specification PS-55546-005 (PDF)
Drawing (PDF)	Product Specification PS-55546-006 (PDF)
Product Specification PS-55358-012 (PDF)	Application Specification AS-55358-001 (PDF)
Product Specification PS-55358-013 (PDF)	RoHS Certificate of Compliance (PDF)



Agency Certification

UL E29179

General

Product Family	Memory Card Sockets
Series	55358
Component Type	Header/Socket (Host)
Product Name	CompactFlash
Style	Guide and Holder
Type	I, II
UPC	822348180691

Physical

Card Detection Switch	N/A
Circuits (Loaded)	50
Durability (mating cycles max)	10,000
Ejector Button	No
Ejector Button Side	N/A
Entry Angle	90° Angle (Side Entry)
Flammability	94V-0
Keying to Mating Part	Yes
Material - Metal	Phosphor Bronze
Material - Plating Mating	Gold
Material - Plating Termination	Tin
Net Weight	3780.078/mg
PCB Mounting Side	Normal
PCB Retention	Yes
Packaging Type	Tray
Pitch - Mating Interface	1.27mm
Plating min - Mating	0.203µm
Plating min - Termination	2.032µm
Ports	1
Temperature Range - Operating	-20°C to +90°C
Termination Interface: Style	Surface Mount

Electrical

Current - Maximum per Contact	0.5A
Voltage - Maximum	100V AC
Voltage Key	3.3V, 5.0V

Material Info

Reference - Drawing Numbers

Application Specification	AS-55358-001
Product Specification	PS-55358-012, PS-55358-013, PS-55546-005, PS-55546-006

EU RoHS ELV and RoHS Compliant REACH SVHC Contains SVHC: No Low-Halogen Status Low-Halogen	China RoHS
---	-----------------------

Need more information on product environmental compliance?

Email productcompliance@molex.com
 For a multiple part number RoHS Certificate of Compliance, [click here](#)

Please visit the [Contact Us](#) section for any non-product compliance questions.

Search Parts in this Series
55358Series

Mates With
67003 , 67114 , Industry Standard CF Card

Use With
55356 Ejector, 55364 Ejector

This document was generated on 09/04/2013

PLEASE CHECK WWW.MOLEX.COM FOR LATEST PART INFORMATION