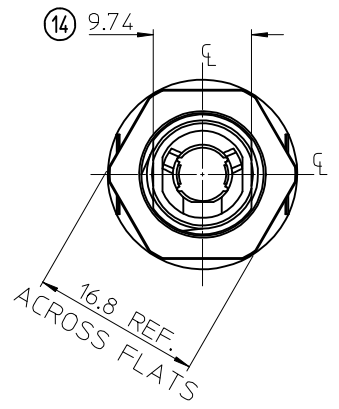
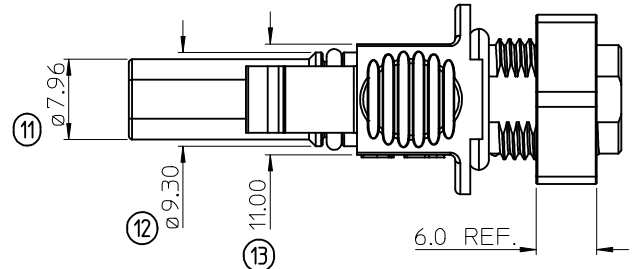
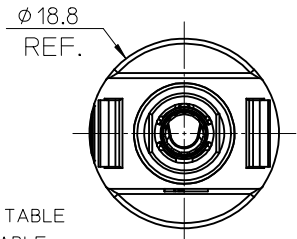
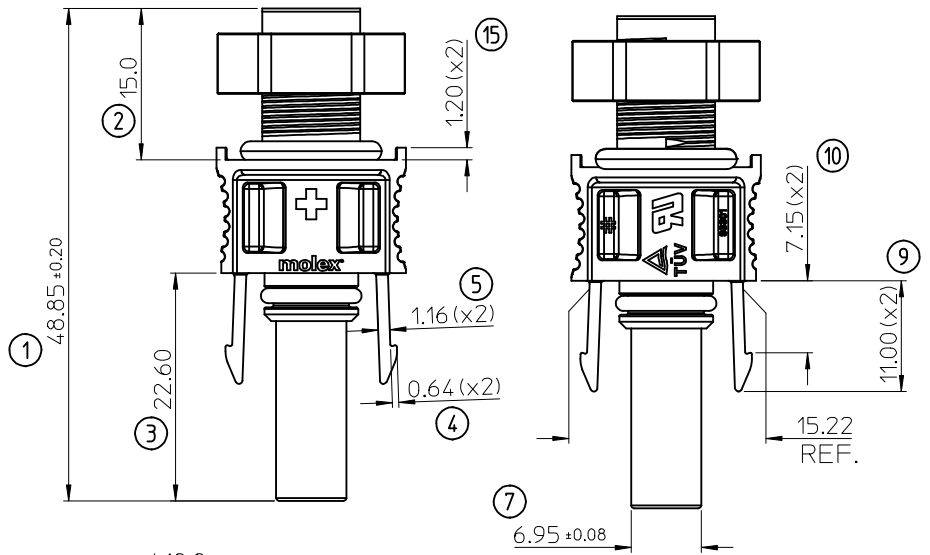
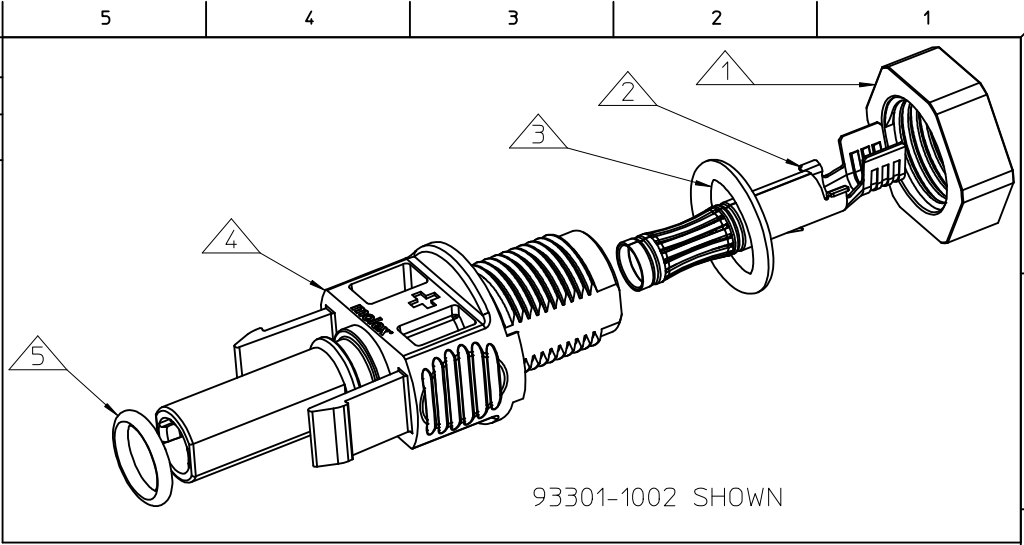


10	9	8	7	6
PART NUMBER	CRIMP SIZE	TERMINAL LOOSE	TERMINAL CHAIN	
93301-1001	2.5MM <sup>2</sup> (14AWG)	933030005	933030003	
93301-1002	4-6MM <sup>2</sup> (12-10AWG)	933030006	933030004	



- NOTES:
1. MATERIALS: SEE TABLE
  2. FINISHES: SEE TABLE
  3. PRODUCT SPECIFICATION: PS-93301-001
  4. PACKAGING SPECIFICATION: PK-93301-001(bulk packed)  
PK-93301-004(single packed).
  5. ASSEMBLY IS ROHS COMPLIANT.
  6. FOR DUSTCAPS PLEASE REFER TO SD-93301-009

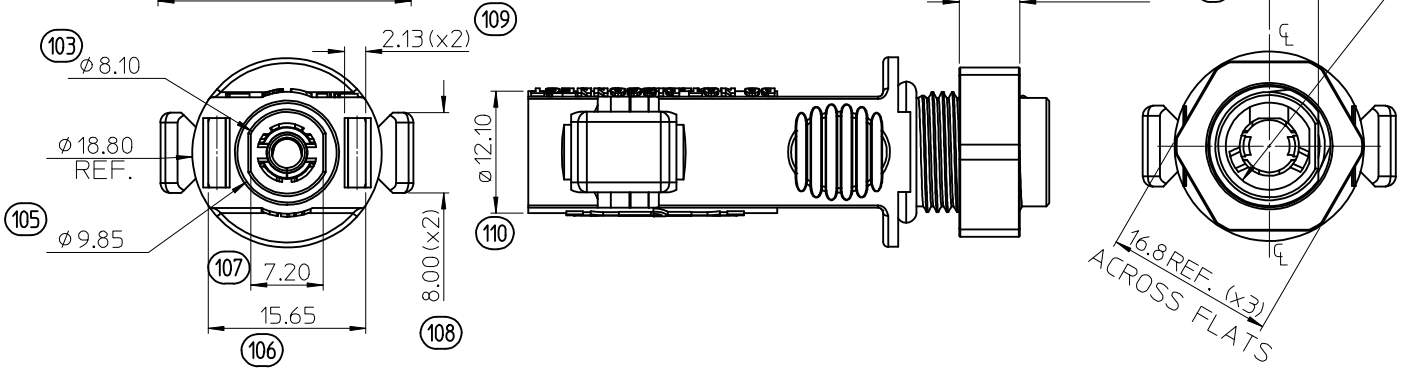
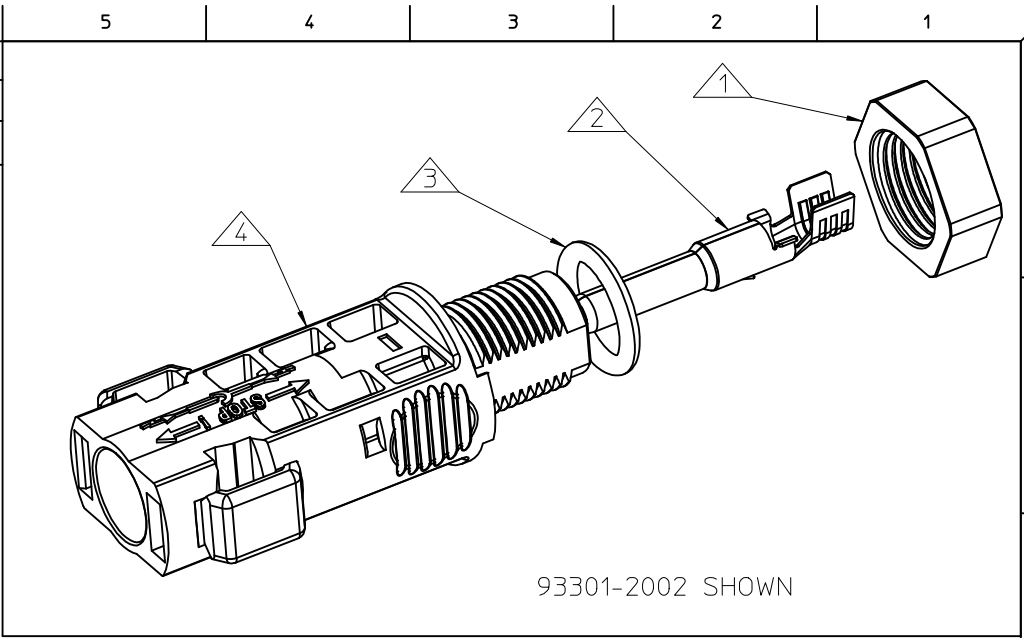
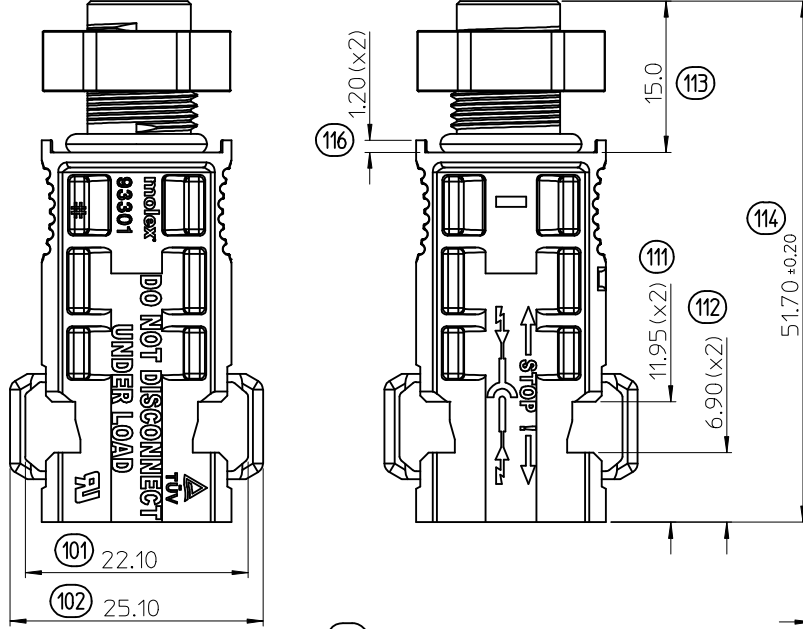
LAST INSPECTION NUMBER USED THIS SHEET: 15  
REMOVED INSPECTION NO'S: 6 8

ITEM	QTY	DESCRIPTION	MATERIAL	FINISH
1	1	M12 X 1.0 NUT	PC.	BLACK
2	1	SOCKET TERMINAL	COPPER ALLOY	SELECTIVE SILVER
3	1	2.0 X 10.0 O-RING	SILICONE	TRANSLUCENT
4	1	SOCKET HOUSING	PC	BLACK
5	1	1.5 X 7.0 O-RING	SILICONE	TRANSLUCENT

<b>F.P.I.R. UPDATES</b> EC NO: IPG2012-0274 DRW:DBYRNES 2011/08/18 CHKD:SMCGREEVY 2012/11/29 APPR:ST.GRIFFIN 2013/03/05	QUALITY SYMBOLS	GENERAL TOLERANCES (UNLESS SPECIFIED)	DIMENSION STYLE	SCALE	DESIGN UNITS	THIRD ANGLE PROJECTION															
	$\nabla=0$ $\sphericalangle=0$	<table border="1"> <tr> <th></th> <th>mm</th> <th>INCH</th> </tr> <tr> <td>4 PLACES</td> <td>± ---</td> <td>± ---</td> </tr> <tr> <td>3 PLACES</td> <td>± ---</td> <td>± ---</td> </tr> <tr> <td>2 PLACES</td> <td>± 0.15</td> <td>± ---</td> </tr> <tr> <td>1 PLACE</td> <td>± 0.25</td> <td>± ---</td> </tr> </table>		mm	INCH	4 PLACES	± ---	± ---	3 PLACES	± ---	± ---	2 PLACES	± 0.15	± ---	1 PLACE	± 0.25	± ---	MM ONLY	2:1	METRIC	
		mm	INCH																		
	4 PLACES	± ---	± ---																		
3 PLACES	± ---	± ---																			
2 PLACES	± 0.15	± ---																			
1 PLACE	± 0.25	± ---																			
DESCRIPTION	DRAFT WHERE APPLICABLE MUST REMAIN WITHIN DIMENSIONS	DRAWN BY: DBYRNES DATE: 2010/12/03 CHECKED BY: SMCGREEVY DATE: 2010/12/06 APPROVED BY: EFOLAN DATE: 2011/02/08	TITLE	SOLAR DC PANEL MOUNT 14 -10 AWG																	
REV			MATERIAL NO.	DOCUMENT NO.	MOLEX INCORPORATED SD-93301-001		SHEET NO. 1 OF 3														

SIZE	THIS DRAWING CONTAINS INFORMATION THAT IS PROPRIETARY TO MOLEX INCORPORATED AND SHOULD NOT BE USED WITHOUT WRITTEN PERMISSION					
A3						

10	9	8	7	6
PART NUMBER	CRIMP SIZE	TERMINAL LOOSE	TERMINAL CHAIN	
93301-2001	2.5MM <sup>2</sup> (14AWG)	933020005	933020003	
93301-2002	4-6MM <sup>2</sup> (12-10AWG)	933020006	933020004	



NOTES:  
 1. MATERIALS: SEE TABLE  
 2. FINISHES: SEE TABLE  
 3. PRODUCT SPECIFICATION: PS-93301-001  
 4. PACKAGING SPECIFICATION: PK-93301-002(bulk packed)  
 PK-93301-005(single packed).  
 5. ASSEMBLY IS ROHS COMPLIANT.

LAST INSPECTION NUMBER USED THIS SHEET: 117  
 REMOVED INSPECTION NO'S: (104)

ITEM	QTY	DESCRIPTION	MATERIAL	FINISH
1	1	M12 X 1.0 NUT	PC.	BLACK
2	1	PIN TERMINAL	COPPER ALLOY	SELECTIVE SILVER
3	1	2.0 X 10.0 O-RING	SILICONE	TRANSLUCENT
4	1	PIN HOUSING	PC	BLACK

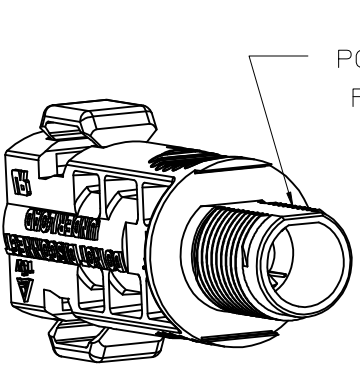
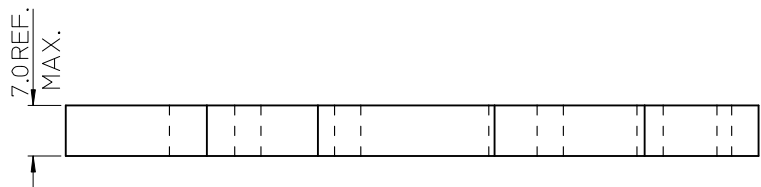
SEE SHEET 1  
 EC NO: IPG2012-0274  
 DRN:DBYRNES 2011/08/18  
 CHKD:SMCGREEVY 2012/11/29  
 APPR:STGRIFFIN 2013/03/05

QUALITY SYMBOLS  
 ▽=0  
 ◻=0

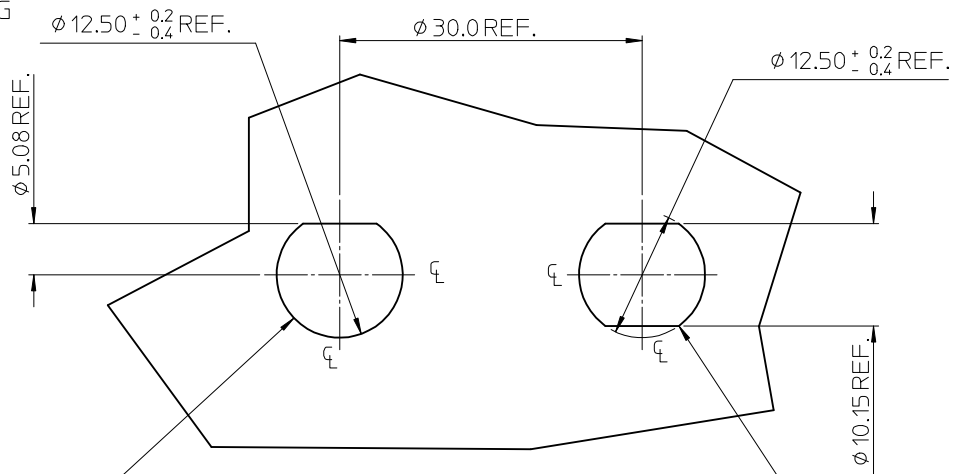
DESCRIPTION

GENERAL TOLERANCES (UNLESS SPECIFIED)	DIMENSION STYLE MM ONLY	SCALE 2:1	DESIGN UNITS METRIC	THIRD ANGLE PROJECTION
4 PLACES ± --- ± ---	DRAWN BY DBYRNES	DATE 2010/12/03	TITLE SOLAR DC PANEL MOUNT 14 -10 AWG	
3 PLACES ± --- ± ---	CHECKED BY SMCGREEVY	DATE 2010/12/06	MOLEX INCORPORATED	
2 PLACES ± 0.15 ± ---	APPROVED BY EFOLAN	DATE 2011/02/08	MATERIAL NO. SD-93301-001	SHEET NO. 2 OF 3
1 PLACE ± 0.25 ± ---	DRAFT WHERE APPLICABLE MUST REMAIN WITHIN DIMENSIONS			
ANGULAR ± 2 °	SIZE A3	THIS DRAWING CONTAINS INFORMATION THAT IS PROPRIETARY TO MOLEX INCORPORATED AND SHOULD NOT BE USED WITHOUT WRITTEN PERMISSION		

RECOMMENDED PANEL LAYOUT

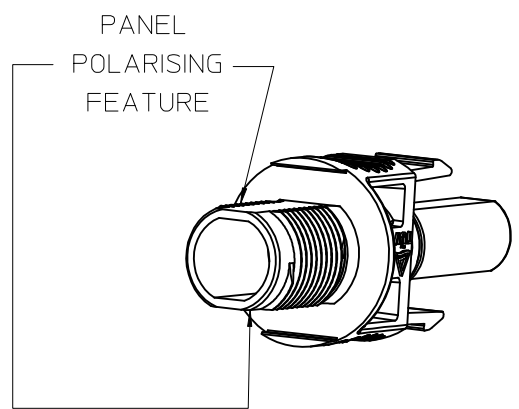


PANEL POLARISING FEATURE



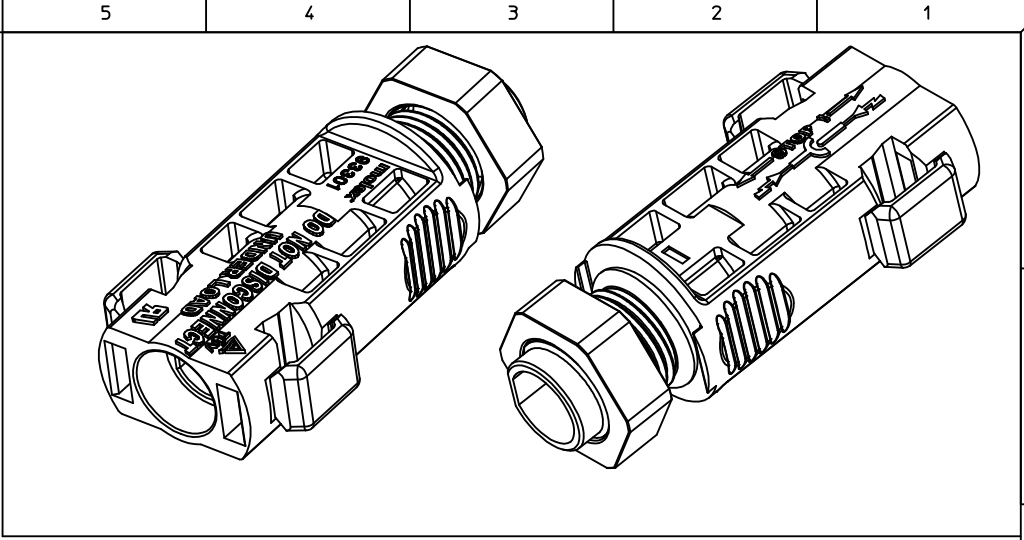
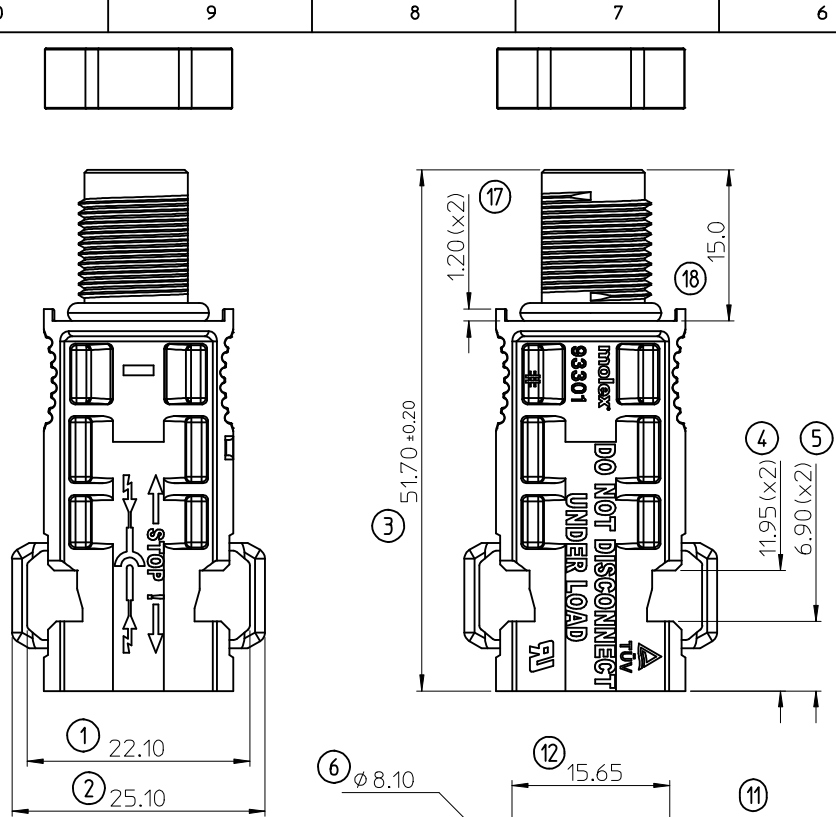
PIN OPENING (MALE)

SOCKET OPENING (FEMALE)



PANEL POLARISING FEATURE

SEE SHEET 1 EC NO: IPG2012-0274 DRAWN: DBYRNES 2011/08/18 CHKD: SMCGREEVY 2012/11/29 APPR: STGRIFFIN 2013/03/05	DESCRIPTION	QUALITY SYMBOLS	GENERAL TOLERANCES (UNLESS SPECIFIED)		DIMENSION STYLE	SCALE	DESIGN UNITS	THIRD ANGLE PROJECTION		
		▽=0 ∇=0	mm	INCH	MM ONLY	2:1	METRIC			
			4 PLACES ± --- ± ---	3 PLACES ± --- ± ---	DRAWN BY DBYRNES	DATE 2010/12/03	TITLE			
			2 PLACES ± 0.15 ± ---	1 PLACE ± 0.25 ± ---	CHECKED BY SMCGREEVY	DATE 2010/12/06	SOLAR DC PANEL MOUNT 14 -10 AWG			
		ANGULAR ± 2 °	DRAFT WHERE APPLICABLE MUST REMAIN WITHIN DIMENSIONS		APPROVED BY EFOLAN	DATE 2011/02/08	MOLEX INCORPORATED			
					MATERIAL NO. N/A		DOCUMENT NO. SD-93301-001	SHEET NO. 3 OF 3		
					SIZE A3	THIS DRAWING CONTAINS INFORMATION THAT IS PROPRIETARY TO MOLEX INCORPORATED AND SHOULD NOT BE USED WITHOUT WRITTEN PERMISSION				



CONTACT USED: SEE SD-93302-001

- NOTES:
1. MATERIALS: SEE TABLE
  2. FINISHES: SEE TABLE
  3. PRODUCT SPECIFICATION: PS-93301-001
  4. PACKAGING SPECIFICATION: PK-93301-002
  5. MATES WITH: 130244-1201/1203
  6. ASSEMBLY IS ROHS COMPLIANT
  7. ASSEMBLY IS DELIVERED WITH PANEL NUT LOOSE IN BAG.
  8. FOR DUSTCAPS PLEASE REFER TO SD-93301-009

LAST INSPECTION No: 18  
 REMOVED INSPECTION No'S: 7 14

ITEM	QTY	DESCRIPTION	MATERIAL	FINISH
3	1	PANEL NUT	POLYCARBONATE(PC)	BLACK
2	1	O-RING PANEL SEAL	SILICONE	DARK GREY
1	1	PIN HOUSING	POLYCARBONATE(PC)	BLACK

F.P.I.R. UPDATES	EC NO: IPG2012-0274	2011/09/20
DRW:DBYRNES	2011/09/20	
CHKD:SMCGREEVY	2012/11/29	
APPR:STORIFFIN	2013/03/05	

QUALITY SYMBOLS	DESCRIPTION
▽=0	
∇=0	

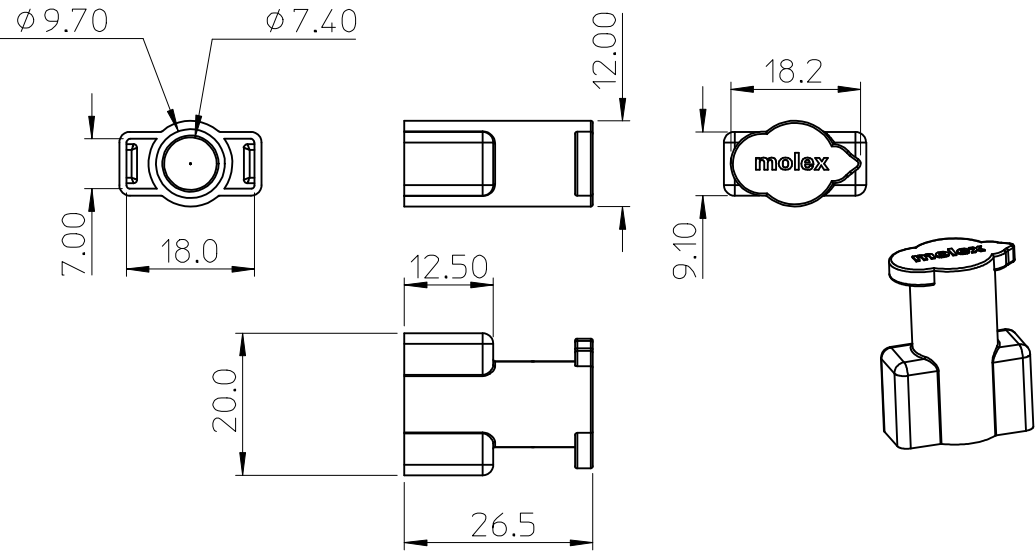
GENERAL TOLERANCES (UNLESS SPECIFIED)		DIMENSION STYLE	
mm	INCH	MM ONLY	
4 PLACES	± ---	DRAWN BY	DATE
3 PLACES	± ---	DBYRNES	2011/06/22
2 PLACES	± 0.15	CHECKED BY	DATE
1 PLACE	± 0.25	SMCGREEVY	2011/08/16
ANGULAR ± 2 °		APPROVED BY	DATE
		EFOLAN	2011/08/26

SCALE	DESIGN UNITS	THIRD ANGLE PROJECTION
2:1	METRIC	☉
TITLE		
SOLARSPEC PANEL MOUNT DC PIN ASSY CONNECTOR 14 - 10 AWG		
MOLEX INCORPORATED		
MATERIAL NO.	DOCUMENT NO.	SHEET NO.
933010201	SD-93301-003	1 OF 1

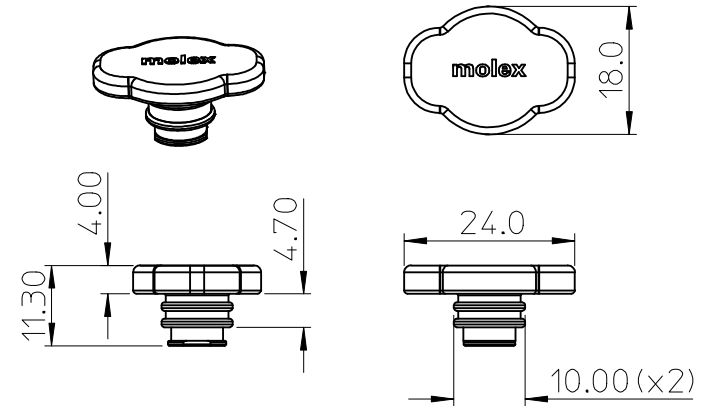
DRAFT WHERE APPLICABLE MUST REMAIN WITHIN DIMENSIONS

THIS DRAWING CONTAINS INFORMATION THAT IS PROPRIETARY TO MOLEX INCORPORATED AND SHOULD NOT BE USED WITHOUT WRITTEN PERMISSION

93301-9001



93301-9002



NOTE'S

1. MATERIAL - SILICONE NE-7150
2. PARTS MUST BE RoHS COMPLIANT.
3. SUITABLE FOR USE WITH MOLEX SERIES 93301 & 130244 SOLARSPEC CONNECTORS.
4. PACKAGING SPECIFICATION: SEE CHART.

PART No.	DESCRIPTION	PKG SPEC
93301-9001	FEMALE SOCKET DUST CAP.	PK-93301-011
93301-9002	MALE PIN DUSTCAP.	PK-93301-012

ORIGINAL RELEASE EC NO: IPG2013-0910 DRWN:DBYRNES 2012/09/18 CHKD:CKNOWLES 2012/12/14 APPR:STGRIFFIN 2012/12/14	DESCRIPTION A	QUALITY SYMBOLS	GENERAL TOLERANCES (UNLESS SPECIFIED)		DIMENSION STYLE MM ONLY		SCALE 1:1	DESIGN UNITS METRIC	THIRD ANGLE PROJECTION		
		▽=0 ◻=0	mm      INCH	DRAWN BY      DATE DBYRNES      2012/09/18	TITLE 93301 SERIES SOLARSPEC DUSTCAPS						
		4 PLACES ± --- ± --- 3 PLACES ± --- ± --- 2 PLACES ± 0.25 ± --- 1 PLACE ± 0.38 ± --- 0 PLACE ± --- ± ---	CHECKED BY      DATE CKNOWLES      2012/12/14								
		ANGULAR ± 2 °		APPROVED BY      DATE STGRIFFIN      2012/12/14	MATERIAL NO. SEE CHART		DOCUMENT NO. SD-93301-009		SHEET NO. 1 OF 1		
		DRAFT WHERE APPLICABLE MUST REMAIN WITHIN DIMENSIONS		SIZE A 4							