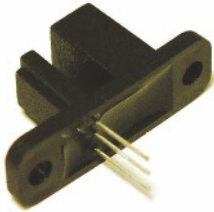


## 55085 Miniature Vane Hall Effect Sensor



### Features

- Sensor and magnet contained in a single housing
- Sensor operates when ferrous vane passes through slot
- 3 pin leadout integral to sensor
- Reverse/Over voltage protection
- Built in temperature compensation

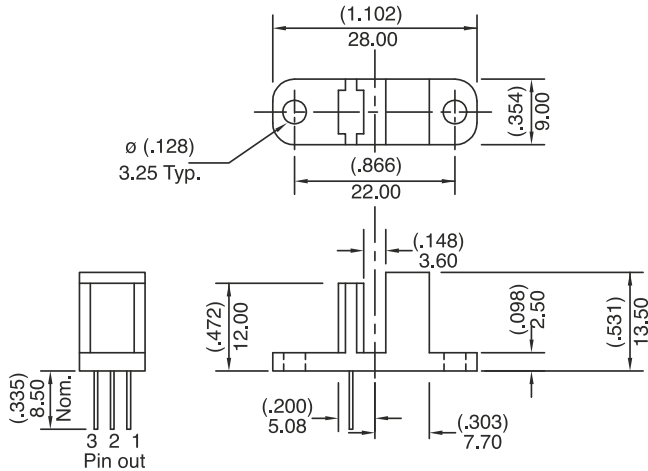
### Benefits

- High switching speed up to 10kHz
- Long life; up to 20 billion operations
- Unaffected by harsh environments
- Operates in static or dynamic magnetic field
- Small package size
- Simple installation

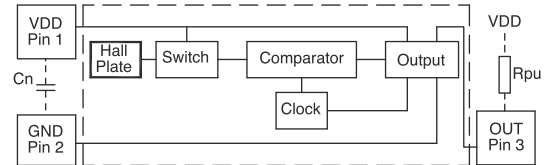
### Applications

- Position and limit sensing
- Shaft rotation sensing
- Security systems
- Linear actuators
- Angle sensing
- Magnetic encoders

### DIMENSIONS (in) mm



### BLOCK DIAGRAM



#### Notes:

1. Add capacitor Cn as shown, close to the sensor, for transient suppression if required.
2. Add resistor Rpu as shown for sinking output.

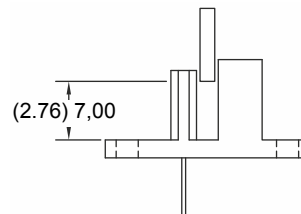
### SPECIFICATIONS

Specifications			Digital Switch
Hall Type			3 Wire (Voltage output)
Supply Voltage (Note1)	Absolute Range	Vdc	-15 to +28
	Recommended	Vdc	+3.8 to +24
	Oversvoltage Protection	Vdc - max.	32
Output High Voltage	Vdc		Sinking output (Pull Up Resistor Required)
Output Low Voltage	Vdc - max.		0.4 @ 20mA
Output Current (continuously on)	mA - max.		20
Switching Speed	Khz - max.		10
Temperature	Operating	°C	-40 to +100
	Storage	°C	-65 to +105

Note 1 - As long as TJ (Junction Temperature) max. Is not exceeded.

### ACTIVATIONS (in) mm

Activate Distance is approximate using a (.100) 2,54 mm thick ferrous vane as illustrated.



### ORDERING INFORMATION

55085 - 3M - 00 - 0

Series 55085

Hamlin USA Tel: +1 920 648 3000 • Fax: +1 920 648 3001 • Email: sales.us@hamlin.com  
 Hamlin Europe Tel: +44 (0)1603 257700 • Fax: +44 (0)1603 257702 • Email: sales.uk@hamlin.com  
 Hamlin China Tel: +86 (0) 512 69365 800 • Fax: +86 (0) 512 69365 811 • Email: sales.cn@hamlin.com