



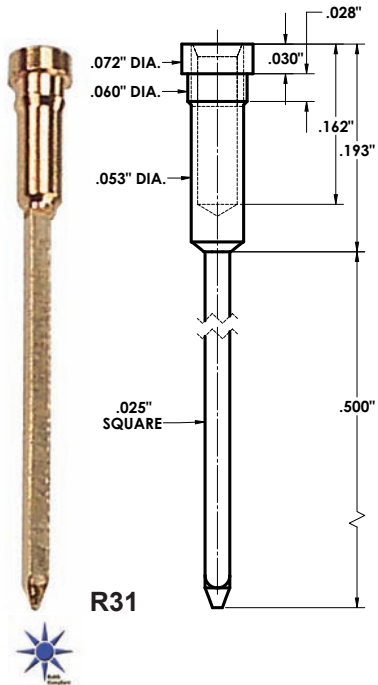
Pins and Terminals

Socket pins for .055" Diameter Holes

R31, R52, R53

3A Current Rating, Brass alloy shell, sleeve & post.

Accepts .015" to .025" diameter leads



R31

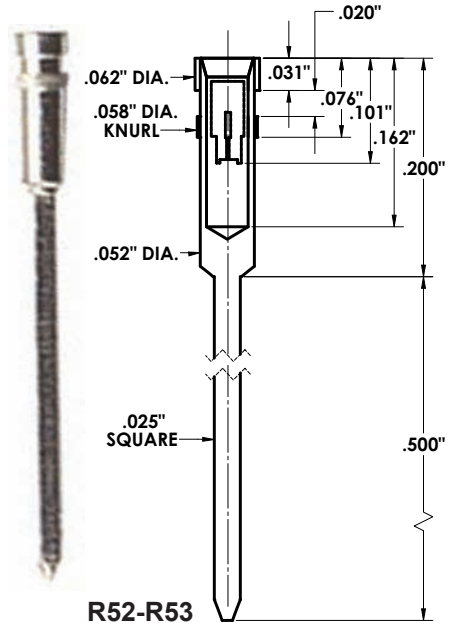
- R31**
- Three level wire wrap tail, .025" sq. posts
 - Four-finger contacts; 10 micron gold flash over nickel plating on contacts and shell/sleeve/posts.
 - Male pin/lead depth of 0.170"

- R52**
- Three level wire wrap tail, .025" sq. posts
 - Four-finger contacts; 10 micron gold flash over contacts.
 - Tin plating on outer shell, sleeve & posts
 - Male pin/lead depth 0.170"

- R53**
- Three level wire-wrap tail, .025" sq. posts
 - Six-finger contacts. 10 micron gold flash over contacts
 - Tin plating on outer shell, sleeve & posts
 - Male pin/lead depth of 0.170"

Part No.	Pkg Qty
R31/C	100
R31/M	1000

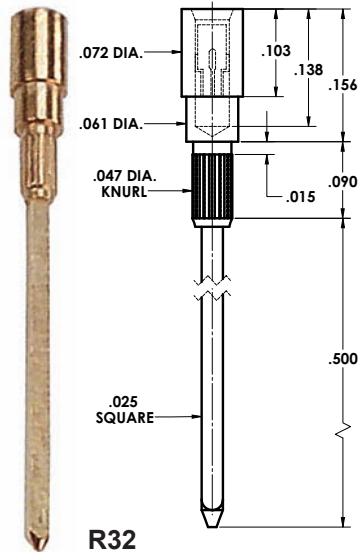
Part No.	Pkg Qty
R52/C	100
R52/M	1000
R53/C	100
R53/M	1000



R52-R53

R32

Socket Pins for .042" diameter holes
3A internal contact current rating
Brass alloy shell, sleeve & post
Accepts .015" to .025" diameter leads



R32

- Three-level wire-wrap tail, .025" square post
- Four-finger contacts
- 10 micron gold flash over nickel plating on contacts and shell/sleeve/posts
- Male pin/lead depth 0.130"

Use P158 Insertion Tool on Page 76
 D9 Die Point

Part No.	Pkg Qty
R32/C	100
R32/M	1000

Pins
Terminals

