

FIG 2
SURFACE MOUNT
-02, -12, -22, -32
DIFFERENT AS SHOWN, OTHERWISE SAME AS FIG 1

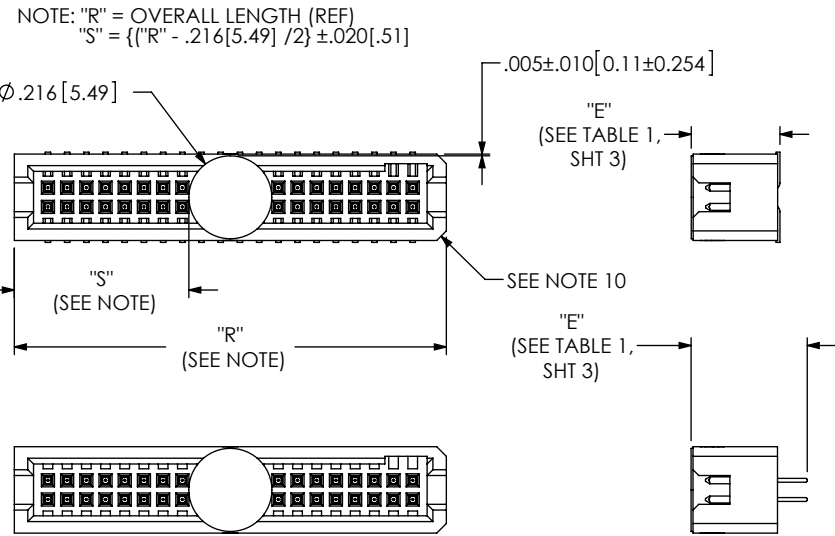


FIG 3
-K: POLYIMIDE FILM PAD

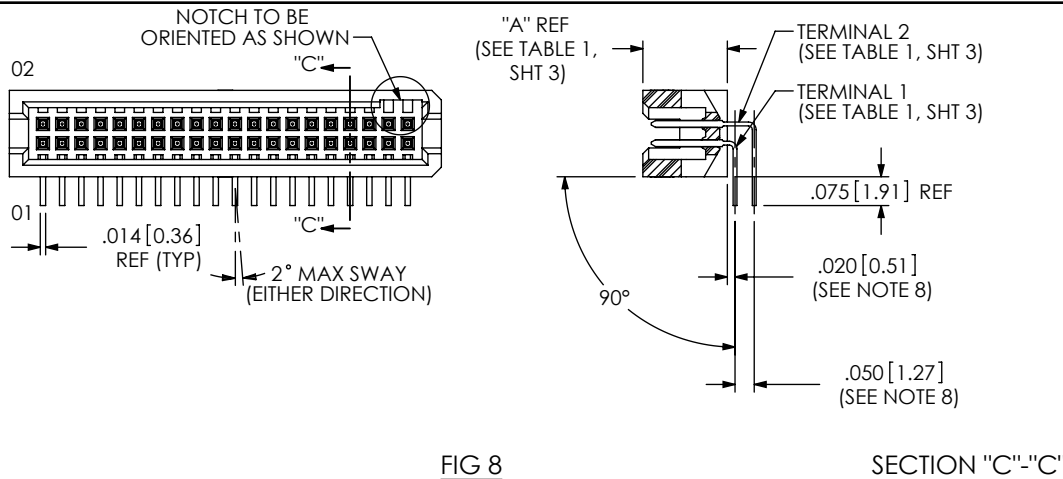
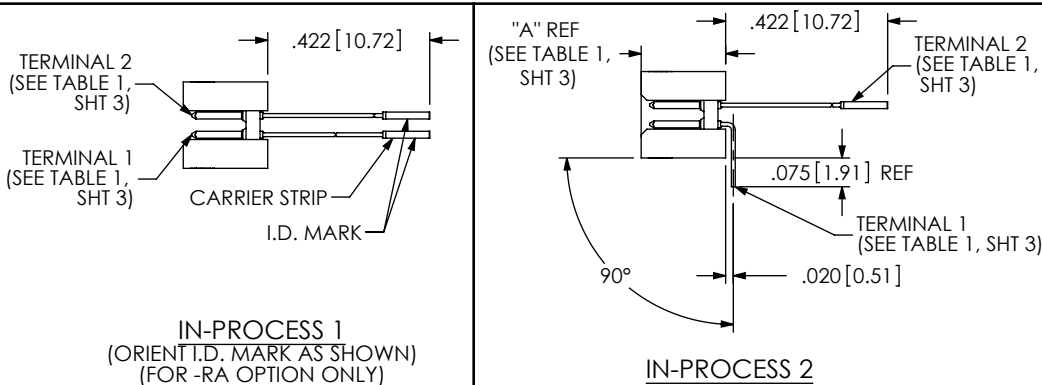


FIG 8
-RA OPTION
DIFFERENT AS SHOWN, OTHERWISE SAME AS FIG 1



F:\DWG\MISC\MKTG\TFC-1XX-XX-XX-D-XX-MKT.SLDDRW

PROPRIETARY NOTE

THIS DOCUMENT CONTAINS INFORMATION CONFIDENTIAL AND PROPRIETARY TO SAMTEC, INC. AND SHALL NOT BE REPRODUCED OR TRANSFERRED TO OTHER DOCUMENTS OR DISCLOSED TO OTHERS OR USED FOR ANY PURPOSE OTHER THAN THAT WHICH IT WAS OBTAINED WITHOUT THE EXPRESSED WRITTEN CONSENT OF SAMTEC, INC.

DO NOT SCALE DRAWING

SHEET SCALE: 2:1

samtec

520 PARK EAST BLVD, NEW ALBANY, IN 47150
PHONE: 812-944-6733 FAX: 812-948-5047
e-Mail: info@SAMTEC.com code 55322

DESCRIPTION:
.050 X .050 TERMINAL STRIP

DWG. NO.
TFC-1XX-XX-XX-D-XX

BY: BRATCHER 05/25/2001 SHEET 2 OF 4

| TABLE 1 | | | | | | | | | |
|------------|----------------|----------------|----------------|--------------|--------------|-------------|--------------|-------------|--------------|
| LEAD STYLE | BODY | "A" | TERMINAL 1 | TERMINAL 2 | "C" | "D" | "E" | "F" | "J" |
| -01 | TFM-XX-D-01-XX | .2200 [5.588] | T-1R16-01-XX-2 | N/A | .428 [10.87] | .131 [3.33] | .303 [7.70] | .078 [1.98] | N/A |
| -11 | TFM-XX-D-02-XX | .2900 [7.366] | T-1R20-03-XX | N/A | .645 [16.38] | .139 [3.53] | .375 [9.53] | .080 [2.03] | N/A |
| -21 | TFM-XX-D-03-XX | .3600 [9.144] | T-1R20-04-XX | N/A | .645 [16.38] | .139 [3.53] | N/A | .080 [2.03] | N/A |
| -31 | TFM-XX-D-04-XX | .4350 [11.049] | T-1R20-02-XX | N/A | .645 [16.38] | .139 [3.53] | .520 [13.21] | .080 [2.03] | N/A |
| -02 | TFM-XX-D-01-XX | .2200 [5.588] | T-1R16-01-XX-2 | N/A | .428 [10.87] | .131 [3.33] | .231 [5.87] | N/A | .226 [5.74] |
| -12 | TFM-XX-D-02-XX | .2900 [7.366] | T-1R20-03-XX | N/A | .645 [16.38] | .139 [3.53] | .301 [7.65] | N/A | .296 [7.52] |
| -22 | TFM-XX-D-03-XX | .3600 [9.144] | T-1R20-04-XX | N/A | .645 [16.38] | .139 [3.53] | .371 [9.42] | N/A | .366 [9.30] |
| -32 | TFM-XX-D-04-XX | .4350 [11.049] | T-1R20-02-XX | N/A | .645 [16.38] | .139 [3.53] | .446 [11.33] | N/A | .441 [11.20] |
| -01-RA | TFM-XX-D-01-XX | .2200 [5.588] | T-1R16-02-XX | T-1R16-03-XX | N/A | .142 [3.61] | N/A | N/A | N/A |

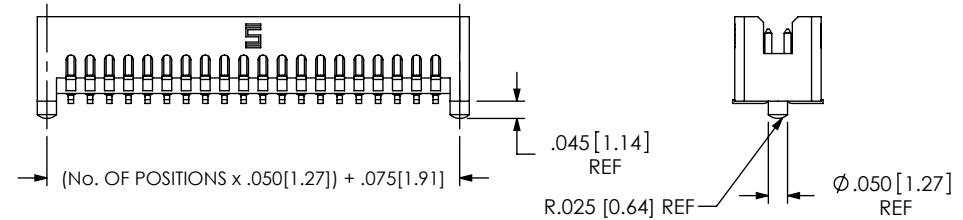
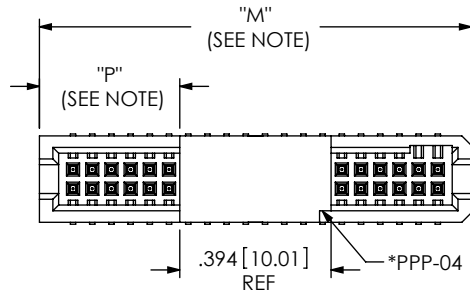
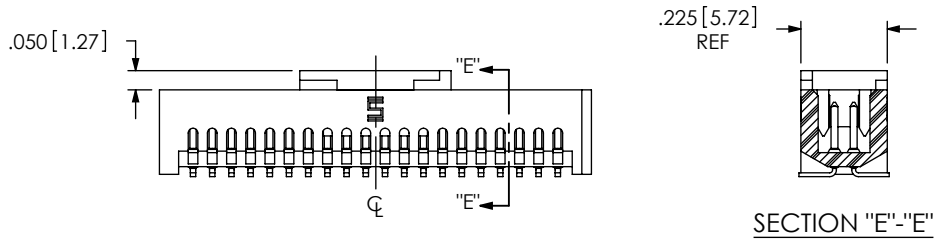


FIG 5
-A OPTION
DIFFERENT AS SHOWN, OTHERWISE SAME AS FIG 1



NOTE: "M" = (No. OF POS X .050 [1.27]) + .125 [3.18] (REF)
 "P" = {"M" - .394 [10.01]} / 2 ± .020 [51]

* NOTCH ON PAD TO BE ON SAME END AS THE NOTCH IN THE TFM BODY

FIG 7
-P OPTION
DIFFERENT AS SHOWN, OTHERWISE SAME AS FIG 1
(PAD TO BE POSITIONED ON CL AS SHOWN)

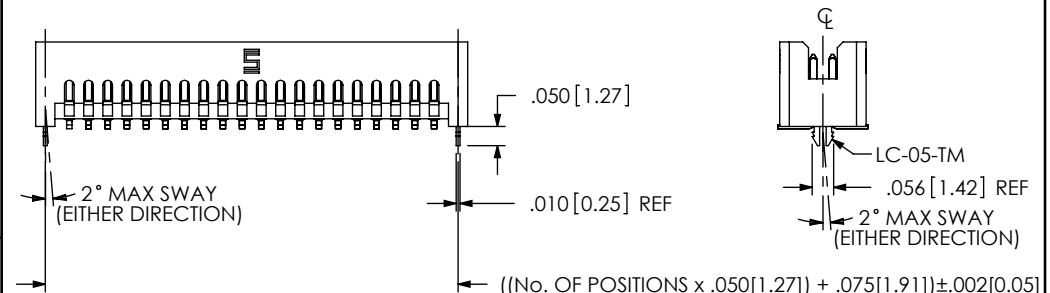


FIG 6
-LC OPTION
DIFFERENT AS SHOWN, OTHERWISE SAME AS FIG 1
(NOT AVAILABLE ON -RA)

F:\DWG\MISC\MKTG\TFC-1XX-XX-XX-D-XX-MKT.SLDRW

PROPRIETARY NOTE

THIS DOCUMENT CONTAINS INFORMATION CONFIDENTIAL AND PROPRIETARY TO SAMTEC, INC. AND SHALL NOT BE REPRODUCED OR TRANSFERRED TO OTHER DOCUMENTS OR DISCLOSED TO OTHERS OR USED FOR ANY PURPOSE OTHER THAN THAT WHICH IT WAS OBTAINED WITHOUT THE EXPRESSED WRITTEN CONSENT OF SAMTEC, INC.

DO NOT SCALE DRAWING

SHEET SCALE: 2:1



520 PARK EAST BLVD, NEW ALBANY, IN 47150
 PHONE: 812-944-6733 FAX: 812-948-5047
 e-Mail: info@SAMTEC.com code 55322

DESCRIPTION:
 .050 X .050 TERMINAL STRIP

DWG. NO.
 TFC-1XX-XX-XX-D-XX

BY: BRATCHER 05/25/2001 SHEET 3 OF 4

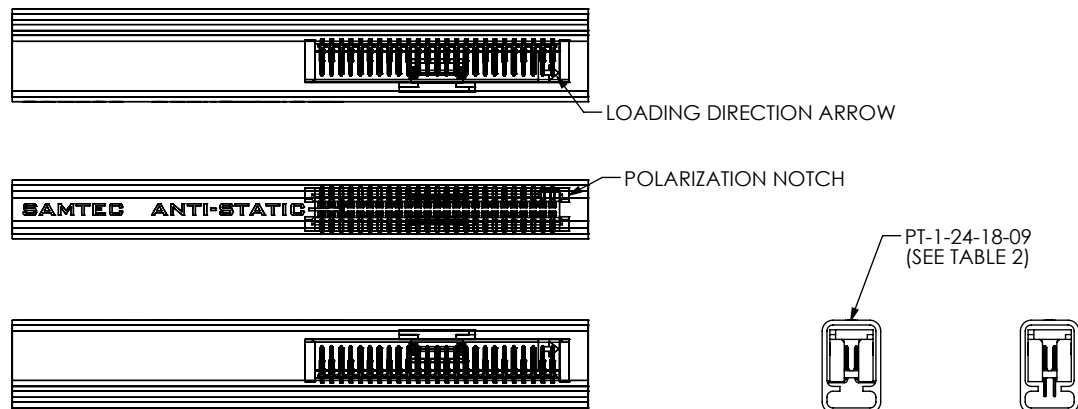


FIG 9
PT-T-24-XX-09

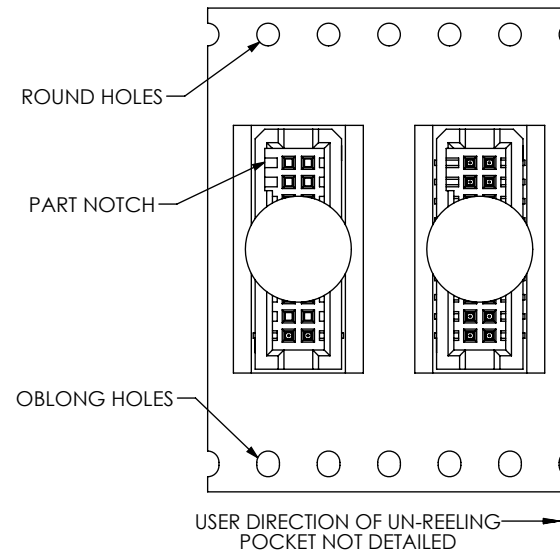


FIG 4
-TR: TAPE AND REEL

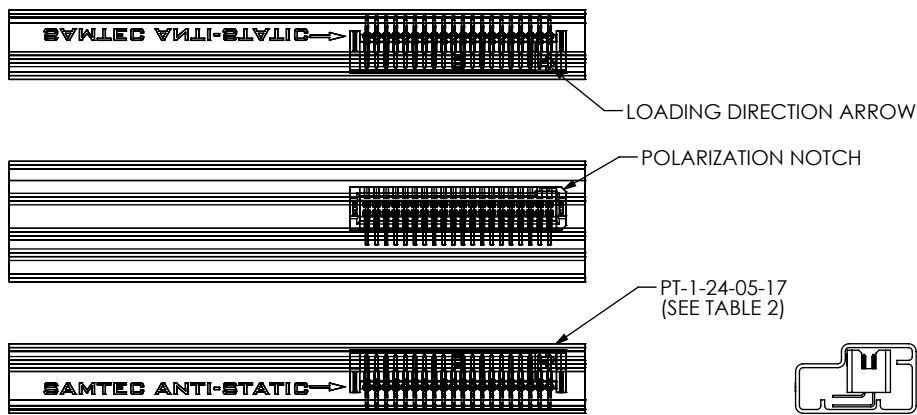


FIG 10
PT-T-24-05-17

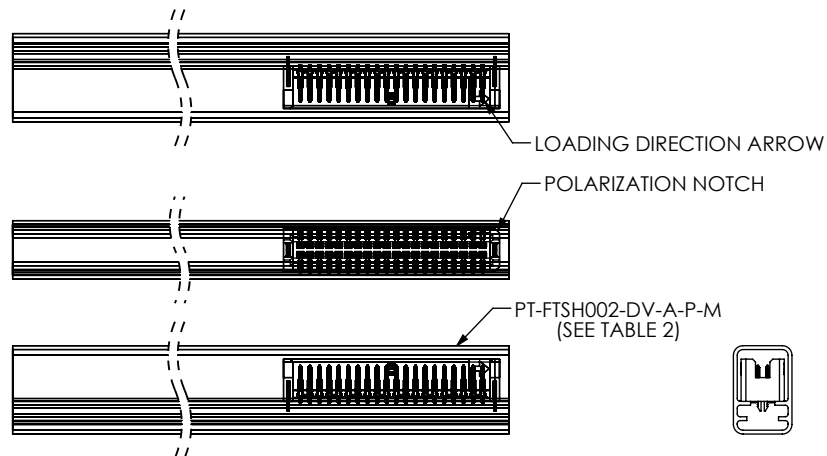



FIG 11
PT-FTSH002-DV-A-P-M

| TABLE 2 | | | |
|------------|-----------------------------------------|---------------------|-------|
| LEAD STYLE | OPTION | TUBE | PLUG |
| -01 | -K, -LC-K, -LC-P, -A-P, -A-K, -P, -WT-P | PT-1-24-18-09 | TP-09 |
| | BLANK, -A, -LC, -WT | PT-FTSH002-DV-A-P-M | TP-03 |
| -01-RA | ANY | PT-1-24-5-17 | TP-07 |
| -11 | BLANK, -A, -A-K, -LC, -LC-K, -K | PT-1-24-18-09 | TP-09 |
| | -A-P, -LC-P, -P | PT-1-24-20-09 | TP-07 |
| -21 | BLANK, -A-P, -LC-P, -P | PT-1-24-05-09 | TP-07 |
| | -A, -A-K, -LC, -LC-K, -K | PT-1-24-20-09 | TP-07 |
| -31 | BLANK, -A, -LC | PT-1-24-05-09 | TP-07 |
| | -A-K, -LC-K, -K, -A-P, -LC-P, -P | PT-1-24-02-09 | TP-07 |
| -02 | BLANK, -A, -A-K, -LC | PT-FTSH002-DV-A-P-M | TP-03 |
| | -LC-K, -K, -A-P, -LC-P, -P | PT-1-24-18-09 | TP-09 |
| -12 | ANY | PT-1-24-04-09 | TP-07 |
| -22 | BLANK, -A, -A-K, -LC, -LC-K, -K | PT-1-24-04-09 | TP-07 |
| | -A-P, -LC-P, -P | PT-1-24-05-09 | TP-07 |
| -32 | ANY | PT-1-24-02-09 | TP-07 |

NOTE:
PARTS TO BE PACKAGED WITH THE LOADING DIRECTION ARROW POINTED IN SAME DIRECTION AS THE ARROW ON TUBE.

F:\DWG\MISC\MKTG\TFC-1XX-XX-XX-D-XX-MKT.SLDDRW

| | |
|-----------------------------------------------------------------------------------------------------------------------------------------------------------------------------------------------------------------------------------------------------------------------------------------------------------------------------------------------------------------------------|----------------------------------------------------------------------------------------------------------------------------------|
| <p>PROPRIETARY NOTE</p> <p>THIS DOCUMENT CONTAINS INFORMATION CONFIDENTIAL AND PROPRIETARY TO SAMTEC, INC. AND SHALL NOT BE REPRODUCED OR TRANSFERRED TO OTHER DOCUMENTS OR DISCLOSED TO OTHERS OR USED FOR ANY PURPOSE OTHER THAN THAT WHICH IT WAS OBTAINED WITHOUT THE EXPRESSED WRITTEN CONSENT OF SAMTEC, INC.</p> <p>DO NOT SCALE DRAWING</p> <p>SHEET SCALE: 2:1</p> |  |
| | <p>520 PARK EAST BLVD. NEW ALBANY, IN 47150 PHONE: 812-944-6733 FAX: 812-948-5047 e-Mail: info@SAMTEC.com code 55322</p> |
| | <p>DESCRIPTION: .050 X .050 TERMINAL STRIP</p> |
| | <p>DWG. NO. TFC-1XX-XX-XX-D-XX</p> |
| <p>BY: BRATCHER 05/25/2001</p> | <p>SHEET 4 OF 4</p> |