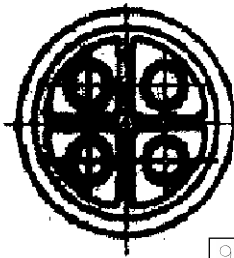
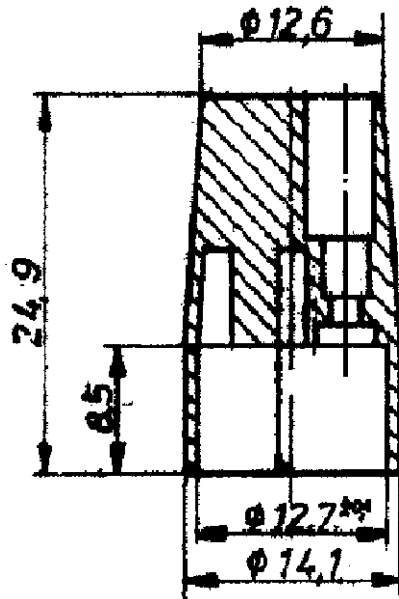
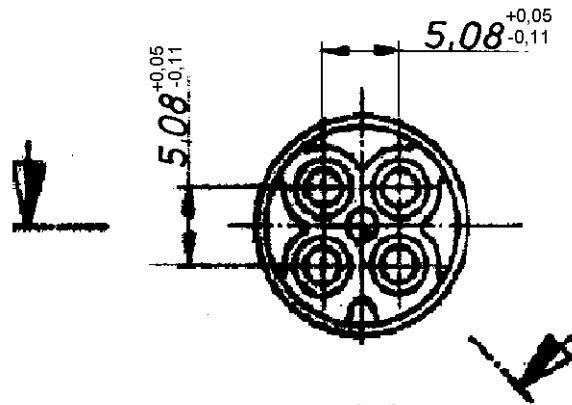


LOC	DIST	REVISIONS					
AL	2	P	LTR	DESCRIPTION	DATE	DWN	APVD
		H3		REVISED PER ECR -13-016227	21OCT20'3	KKB	RRP



**1** OBSOLETE PARTS: OBSOLETE CIS STREAMLINING PER D.RENAUD/D.SINISI

**1** OBSOLETE

**1** OBSOLETE


925075-6	PA6 GWT750°C-V2	NATURAL
925075-4	PA66	RED
925075-3	PA66	BLACK
925075-2	PA66 UL94	WHITE
925075-1	PA66 UL94	NATURAL
925075-0	PA66	NATURAL
PN	MATERIAL	COLOUR

RELEASED FOR PUBLICATION

ALL RIGHTS RESERVED.

THIS DRAWING IS UNPUBLISHED.

BY -  
COPYRIGHT -

DIMENSIONS: mm	DWN J. SALO	10AUG2009	MATERIAL	SEE TABLE	FINISH	-
	CHK R. SOLE	10AUG2009	 <b>TE Connectivity</b>			
TOLERANCES UNLESS OTHERWISE SPECIFIED:	APVD G. TURCO	10AUG2009				
0 PLC ±-	PRODUCT SPEC	-	NAME 4 WAY CIRCULAR MATE-N-LOK PIN HOUSING			
1 PLC ±0,4	APPLICATION SPEC	-	SIZE	A 4	CAGE CODE	-
2 PLC ±0,4	WEIGHT	-	DRAWING NO	C=925075		RESTRICTED TO
3 PLC ±-			SCALE 2:1 SHEET 1 OF 1 REV H3			
4 PLC ±-			CUSTOMER DRAWING			
ANGLES ±1°30'						

