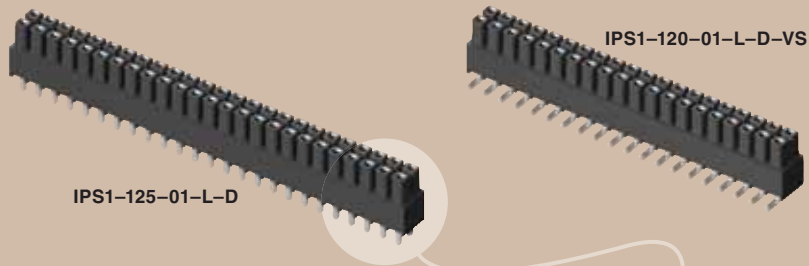




(2,54 mm) .100"



IPS1 SERIES

SHROUDED POWER CONNECTOR SET

SPECIFICATIONS

For complete specifications see www.samtec.com?IPS1

Insulator Material: Black LCP

Contact Material: Phosphor Bronze

Plating: Sn or Au over

50µ" (1,27 µm) Ni

Operating Temp Range:

-55°C to +105°C with Tin;

-55°C to +125°C with Gold

Insertion Depth:

(3,81 mm) .150" to

(6,48 mm) .255"

Wiping Distance:

(0,38 mm) .015"

Insertion Force (SMT):

3.0 oz (0,83 N) avg.

Withdrawal Force (SMT):

2.6 oz (0,72 N) avg.

Insertion Force (T/H):

6.0 oz (1,67 N) avg.

Withdrawal Force (T/H):

5.0 oz (1,39 N) avg.

Voltage Rating:

550 VAC/777 VDC

RoHS Compliant:

Yes

Processing:

Lead-Free Solderable:

Yes

SMT Lead Coplanarity:

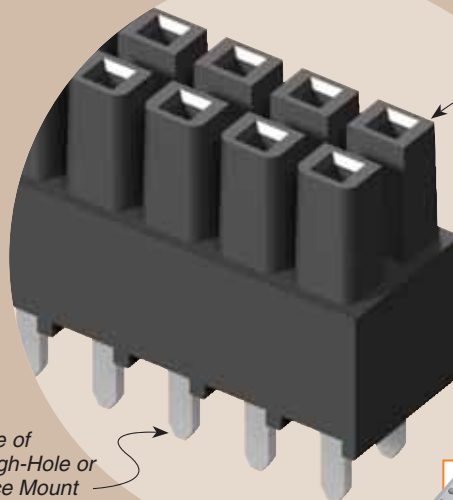
(0,13 mm) .005" max (05-10)

(0,15 mm) .006" max (15-25)

Mates with:
IPT1



IPT1/IPS1	
PINS	CURRENT RATING (PER CONTACT)
1	5.9 A
2	4.8 A
3	4.1 A
4	3.6 A
ALL	2.3 A

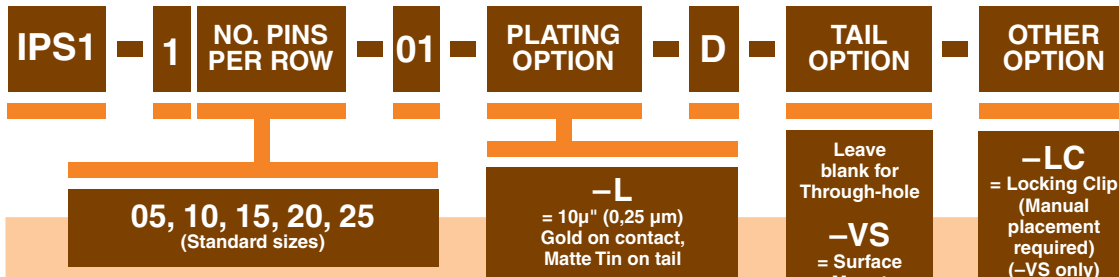


Each contact individually shrouded for electrical and mechanical protection

Choice of Through-Hole or Surface Mount



- Individually shrouded contacts
- Locking clip option



RECOGNITIONS

For complete scope of recognitions see www.samtec.com/quality

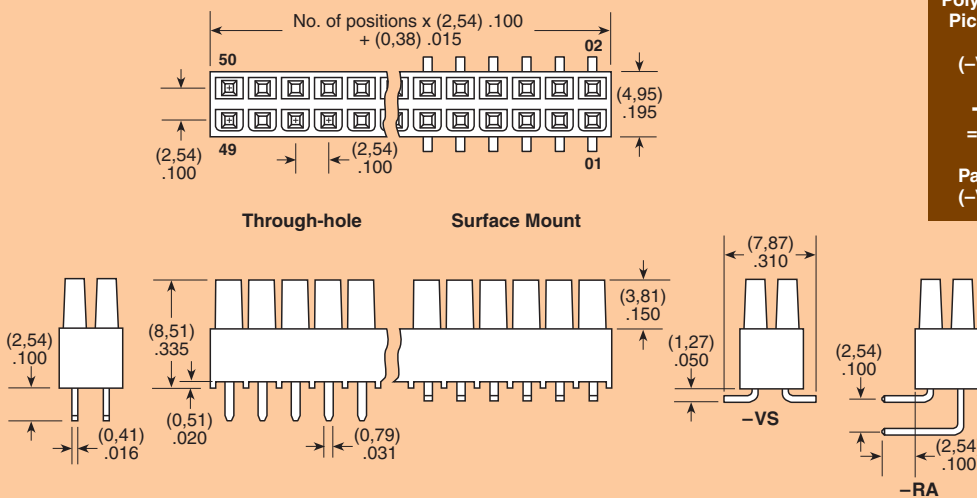


FILE NO. E111594

ALSO AVAILABLE (MOQ Required)

- Other sizes
- Other platings
- Latching feature
- No. 1 position polarized Contact Samtec.

Note: Some sizes, styles and options are non-standard, non-returnable.



Due to technical progress, all designs, specifications and components are subject to change without notice.

WWW.SAMTEC.COM