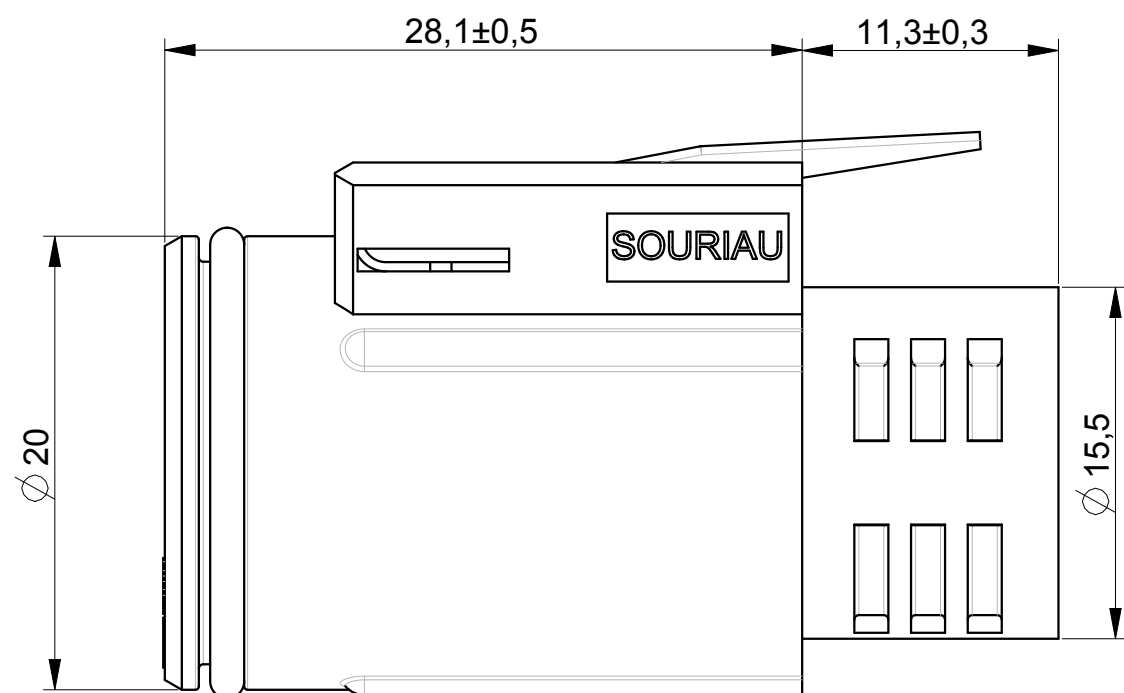
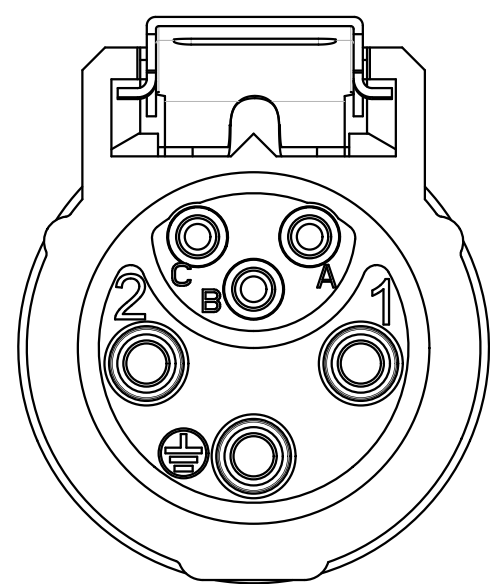
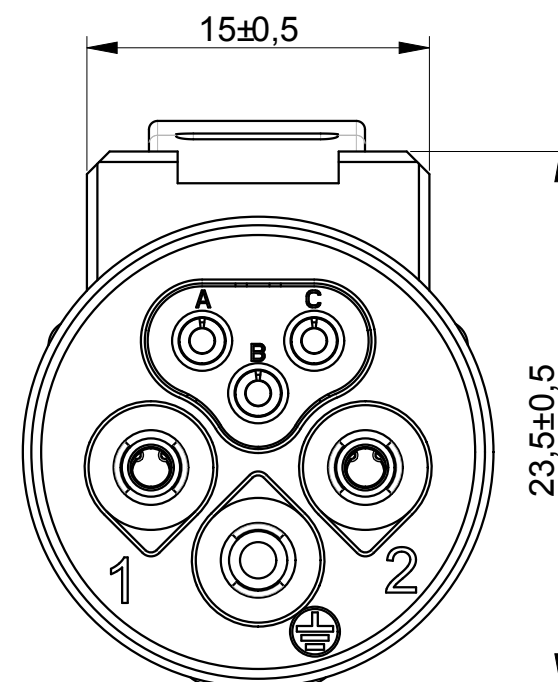


WIRING FACE



MATING FACE



NOTES

MATERIALS

SHELL
COUPLING LATCH
O'RING

SEE TABLE
STAINLESS STEEL
LUBRICATED RED SILICON

PERFORMANCES CHARACTERISTICS

MECHANICAL

TEMPERATURE CLASS	IEC61984/UL1977	-40°C TO 105°C
DURABILITY	IEC61984	500 MATE / UNMATE CYCLES
SEALING IN MATED CONDITIONS	IEC60529	IP68 1BAR DURING 1WEEK
SEALING IN UNMATED CONDITIONS	DIN40050	IP69K
POLLUTION DEGREE	IEC60529	IP67 WITH CAPS
CORROSION SALT SPRAY	IEC61984	4
FLAMMABILITY	UL94	MIN 1000H
OUTDOOR SUITABILITY (UV RESIST)	UL746C	MATERIAL RATING: 5VA
SCOOP PROOF		MATERIAL RATING: (f1)

ELECTRICAL

TOUCH PROOF

IEC60529 IP2X

POWER AND GROUND LINES:

NOMINAL CURRENT

UL1977 16A WITH AWG14 WIRE / 13A WITH AWG16 WIRE

NOMINAL CURRENT

IEC61984 16A WITH 2.5MM² WIRE / 13A WITH 1.5MM² WIRE AT 60°C

NOMINAL VOLTAGE

UL1977 600V
IEC61984 250VAC 4KV 4 FOR CLASS II
IEC61984 500VAC 6KV 4 FOR CLASS I

SIGNAL CONTACT (a,b,c) LINES:

NOMINAL VOLTAGE

IEC61984 48V AC

NOMINAL CURRENT

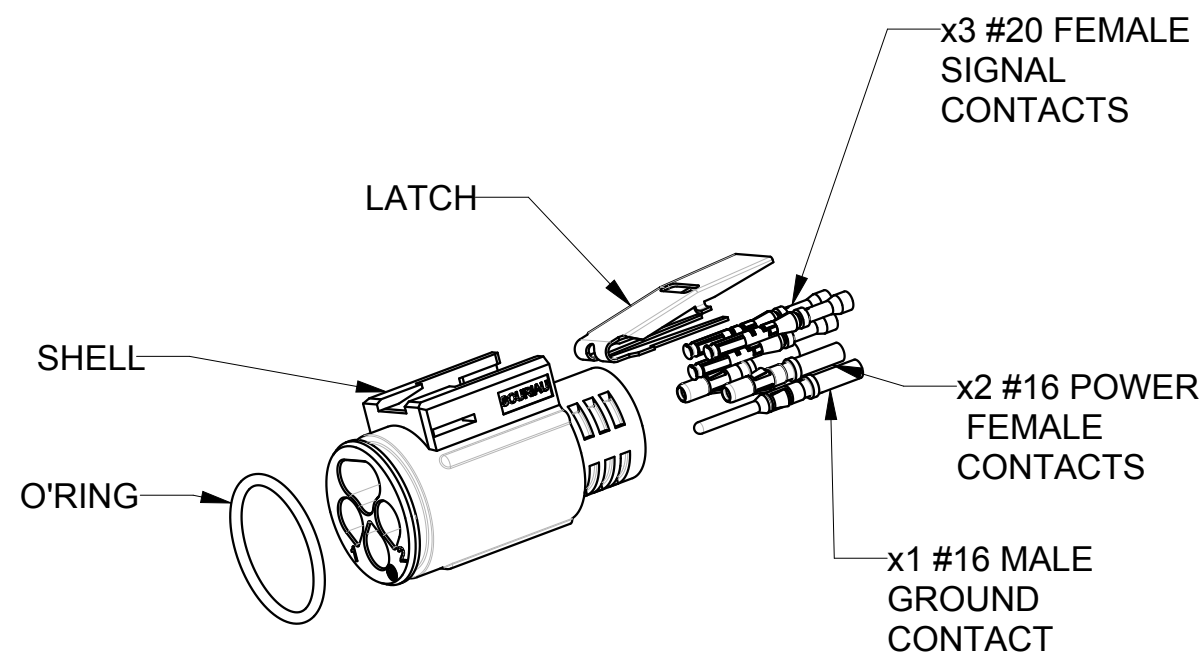
IEC61984 5A

ROHS COMPLIANT

- COUNTERPART REFERENCE UTL RECEPTACLE OR FREE HANGING
- CONNECTORS ARE DELIVERED AS PRE-ASSEMBLED KIT
- CONNECTOR BLOCKS ACCEPTS TRIM TRIO CONTACTS #16 AND #20 , R*M* OR S*M* TYPES
- CONTACTS TO BE ORDERED SEPARATELY.
- WARNING: PHASE AND SIGNAL CONTACTS ARE FEMALE VERSION AND GROUND CONTACT IS MALE VERSION
- UNIT IN MM

P/N	SHELL' S MATERIAL
UTL6102G1W3S	PA GF REINFORCED BLACK COLOR
UTL6102G1W3S03	PA GF REINFORCED LIGHT GREY COLOR

P/N : SEE TABLE



a	17/07/13	New drawing		MOD N°
ISS	DATE	Latest modification - by: --		MOD N°
Designed by:		R.M.	Date: 17/07/13	CUSTOMER DRAWING
TITLE		FEMALE PLUG LAYOUT 6 CONTACTS SIZE 10 UTL CONNECTOR		
Scale	1/1	General linear Tolerances: ± 0,2	NPRDS / PROJECT UTL	
SOURIAU		WWW.SOURIAU.COM		This document is the property of SOURIAU It must not be reproduced or communicated without permission
FORMAT	A2	SOURIAU DRG N° UTL1-0050A-C01		SHEET 1 / 1