

a : 1 : RL

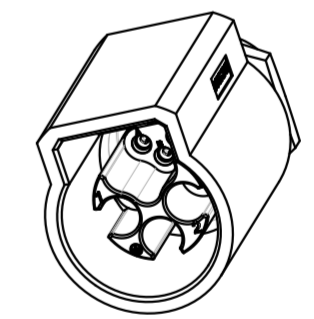
NOTES

MATERIALS		SEE TABLE
HOUSING	NEOPREN	ALUMINIUM ALLOY BLACK ANODIZED
O'RING		
NUT		
PERFORMANCES CHARACTERISTICS		
MECHANICAL		
TEMPERATURE CLASS	IEC61984/UL1977	-40°C TO 105°C
DURABILITY	IEC61984	500 MATE / UNMATE CYCLES
SEALING IN MATED CONDITIONS	IEC60529	IP68 1BAR DURING 1WEEK
	DIN40050	IP69K
SEALING IN UNMATED CONDITIONS	IEC60529	IP67 WITH CAPS
POLLUTION DEGREE	IEC61984	4
CORROSION SALT SPRAY		MIN 1000H
FLAMMABILITY	UL94	MATERIAL RATING: 5VA
OUTDOOR SUITABILITY (UV RESIST)	UL746C	MATERIAL RATING: (f1)
SCOOP PROOF		
ELECTRICAL		
TOUCH PROOF	IEC60529	IP2X
POWER AND GROUND LINES:		
NOMINAL CURRENT	UL1977	16A WITH AWG14 WIRE / 13A WITH AWG16 WIRE
NOMINAL CURRENT	IEC61984	16A WITH 2.5MM² WIRE / 13A WITH 1.5MM² WIRE AT 60°C
SIGNAL CONTACT (a,b,c) LINES:		
NOMINAL VOLTAGE	UL1977	600V
NOMINAL VOLTAGE	IEC61984	250VAC 4KV 4 FOR CLASS II
NOMINAL VOLTAGE	IEC61984	500VAC 6KV 4 FOR CLASS I
NOMINAL CURRENT	IEC61984	48V AC
NOMINAL CURRENT	IEC61984	5A

ROHS COMPLIANT

- COUNTERPART REFERENCE UTL PLUG
- CONNECTORS ARE DELIVERED AS PRE-ASSEMBLED KIT
- CONNECTOR BLOCKS ACCEPTS TRIM TRIO CONTACTS #16 AND #20, R*M* OR S*M* TYPES
- CONTACTS TO BE ORDERED SEPARATELY.
- WARNING: PHASE CONTACTS AND SIGNAL CONTACT ARE FEMALE VERSION AND GROUND CONTACT IS MALE VERSION
- UNIT IN MM

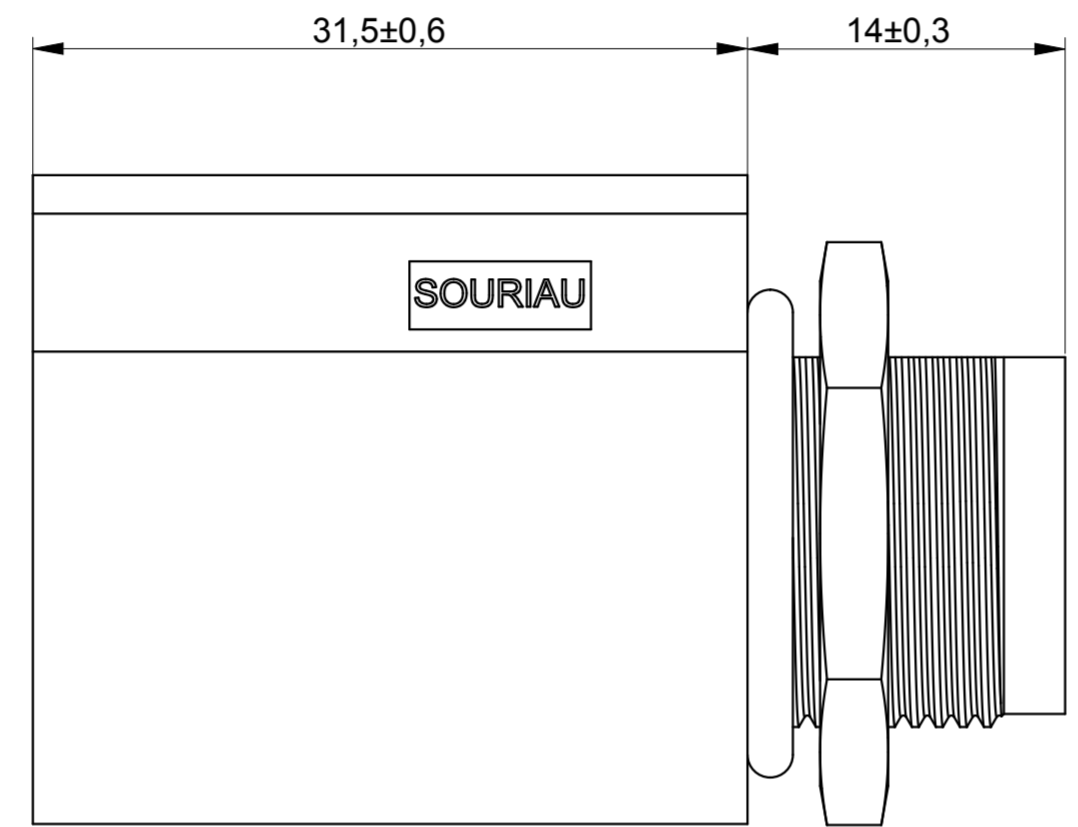
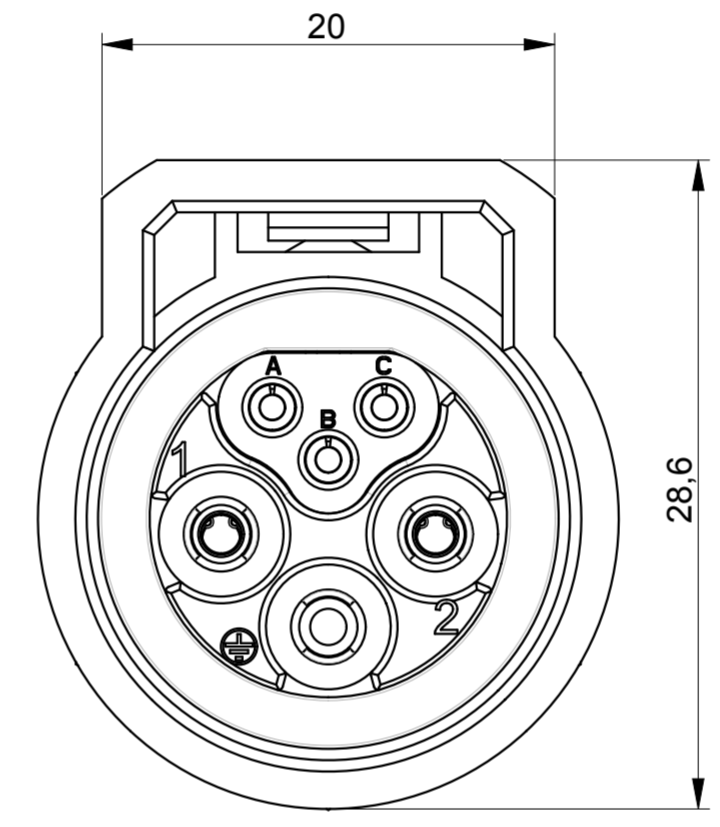
P/N	HOUSING' S MATERIAL
UTL7102G1W3S	PA GF REINFORCED BLACK COLOR
UTL7102G1W3S03	PA GF REINFORCED LIGHT GREY COLOR



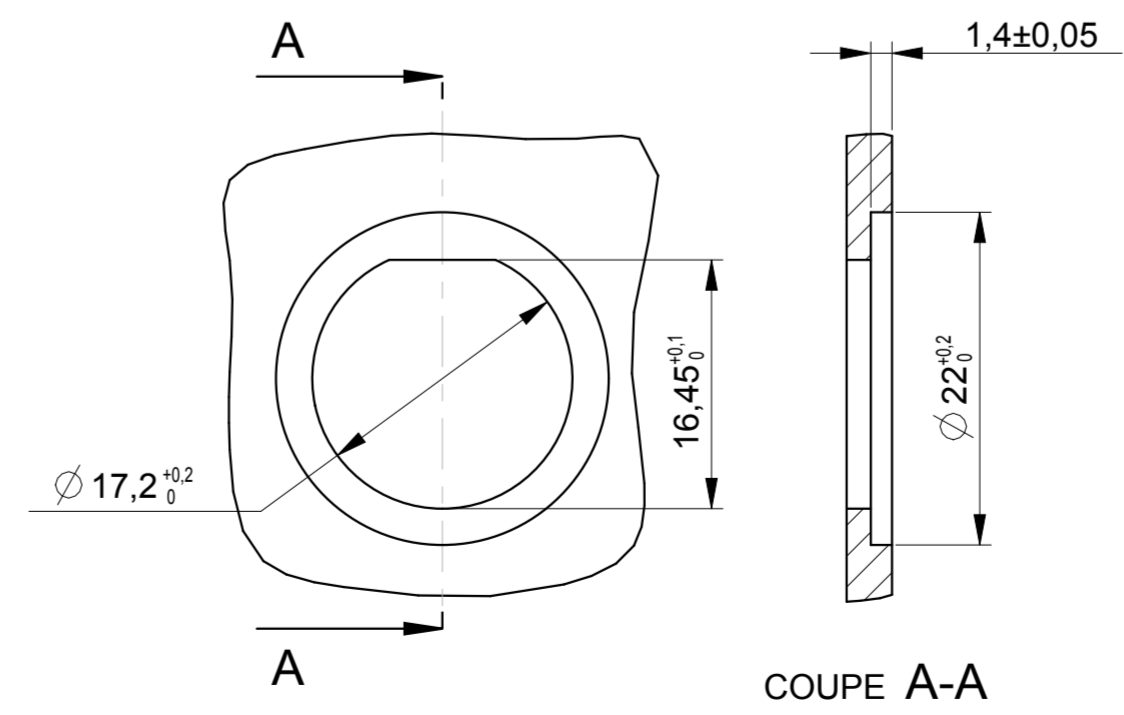
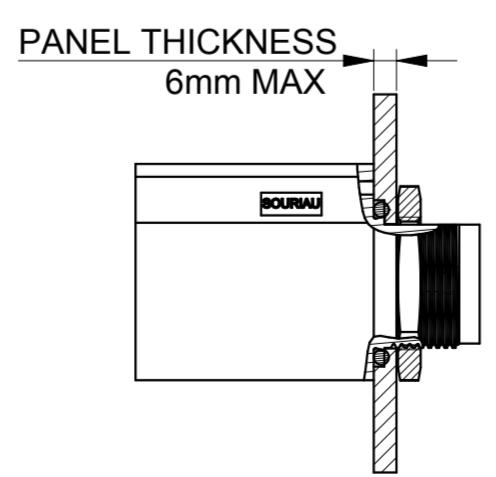
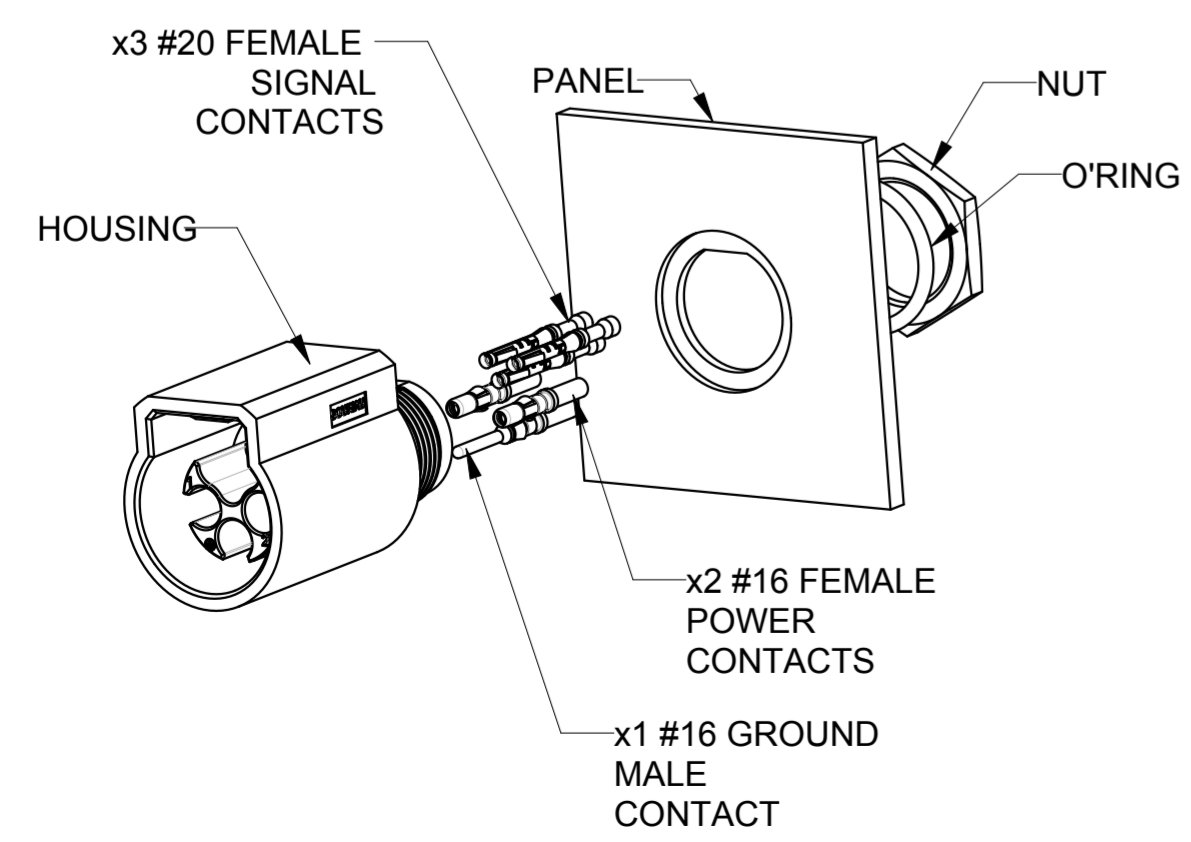
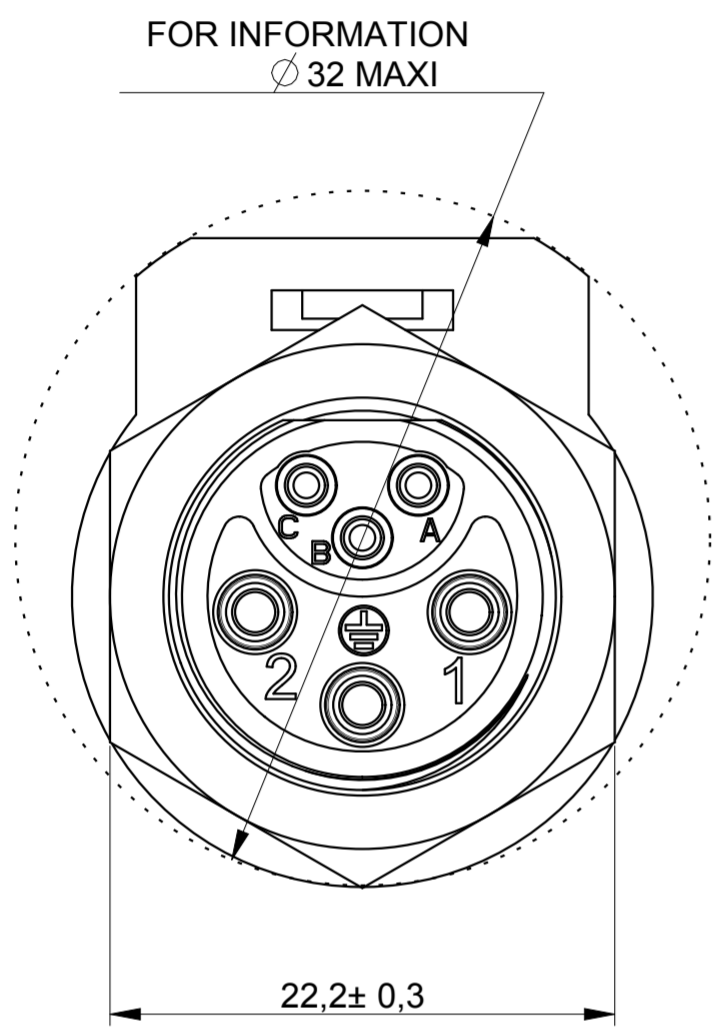
P/N : SEE TABLE

a	23/07/13	New drawing	
ISS	DATE	Latest modification - by:	MOD N°
Designed by:	R.M.	Date: 23/07/13	CUSTOMER DRAWING
TITLE	FEMALE RECEPTACLE SIZE 10 LAYOUT 6 CONTACTS		
	UTL CONNECTOR		
Scale	1/1	General linear Tolerances: ± 0,2	NPRDS / PROJECT UTL
SOURIAU		WWW.SOURIAU.COM	This document is the property of SOURIAU It must not be reproduced or communicated without permission
FORMAT	SOURIAU DRG N° UTL1-0048A-C01		SHEET 1 / 1

MATING FACE



WIRING FACE



H G F E D C B A