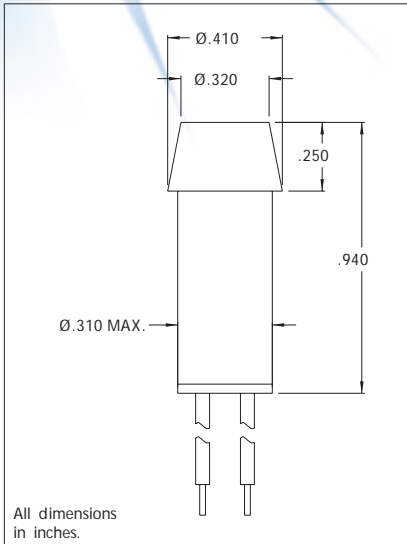


WORLDWIDE



2990D Series Non-Relampable Incandescent Indicator Lights

DESCRIPTION AND FEATURES



Mounting: Ø.310 MIN., supplied with push-on speednut SN1287.

Wire Leads: No.22 AWG (105°C) 4.40/4.80 long, stripped .430/.570

Lens: Polycarbonate

Lens Color	Incandescent		
	Model No. (6V)	Model No. (12V)	Model No. (28V)
Red	2990D1-6V	2990D1-12V	2990D1-28V
Amber	2990D3-6V	2990D3-12V	2990D3-28V
White	2990D4-6V	2990D4-12V	2990D4-28V
Green	2990D5-6V	2990D5-12V	2990D5-28V
Blue	2990D6-6V	2990D6-12V	2990D6-28V
Lamp used	#2112	#2162	#2187
Lead color	White	Yellow	Purple
Mounting	Supplied with push-on speednut SN1287		

2990D Series Non-Relampable Incandescent Indicator Lights



America:
CML Innovative Technologies, Inc.
147 Central Avenue
Hackensack, NJ 07601 -USA
Tel:1-201-489 -8989
Fax:1-201-489 -6911
e-mail:americas@cml-it.com

Europe:
CML Technologies GmbH &Co.KG
Robert-Bunsen-Str.1
67098 Bad Dürkheim -GERMANY
Tel:+49 (0)6322 9567-0
Fax:+49 (0)6322 9567-88
e-mail:europa@cml-it.com

Asia:
CML Innovative Technologies, Inc.
61 Aida Street
Singapore 459975
Tel:(65)9630 -5003
e-mail:asia@cml-it.com