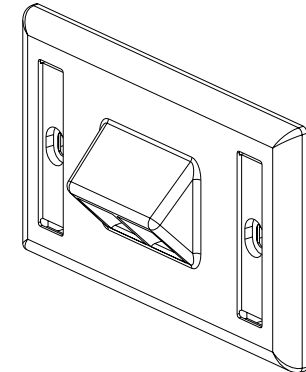
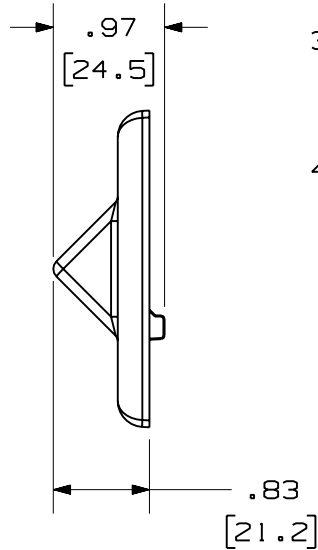
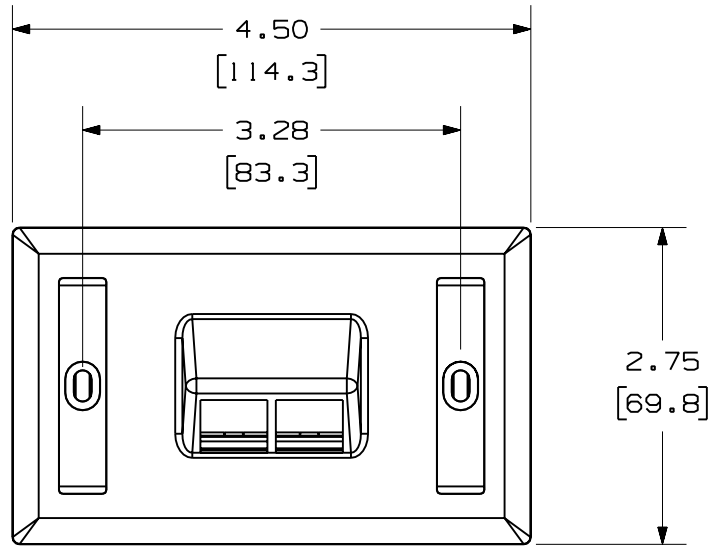


THIS COPY IS PROVIDED ON A RESTRICTED BASIS AND IS NOT TO BE USED IN ANY WAY DETRIMENTAL TO THE INTERESTS OF PANDUIT CORP.

PANDUIT P/N	WEIGHT
NK2HSF**Y	.54 LB/10 PCS (244 g/10 PCS)


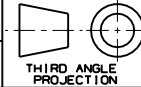


NOTES:

- SEE CURRENT CATALOG FOR ADDITIONAL PART SUFFIXES TO INDICATE COLOR AND OR PACKAGE QUANTITY.
- FACEPLATE WILL ACCEPT TWO NETKEY MODULES.
- PART INCLUDES:
  - 1- FACEPLATE
  - 2- MOUNTING SCREW
  - 2- LABEL
  - 2- LABEL COVER
- DIMENSIONS IN PARENTHESES ARE IN METRIC.

MODEL FILENAME	M00661CA_KFP2S_04.PRT	SIZE	A
DRAWING FILENAME	M02479BJ_DC036_00A.PRT		

NETKEY 2 POSITION SINGLE GANG  
HORIZONTAL SLOPED FACEPLATE WITH LABEL  
CUSTOMER DRAWING

 <b>PANDUIT</b> <sup>®</sup> CORP. TINLEY PARK, IL 60477	I.I. NUMBER	N/A
	PRODUCT SPEC	N/A
 THIRD ANGLE PROJECTION	WORK INSTRUCTION	N/A
	SCALE	NONE
DRAWN BY JsP	MATERIAL:	PART NO. NK2HSF**Y
DATE 7-29-06		DRAWING NO. 02479-036
CHK'D		

REV	DATE	BY	CHK	DESCRIPTION	ECN	R	CUST	SUP	OTH
R	7-29-06	JsP		RELEASED TO PRODUCTION	02479-036				