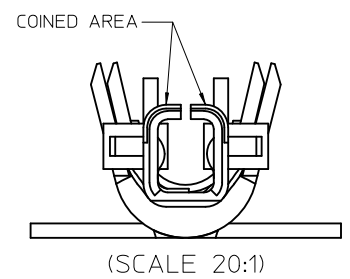
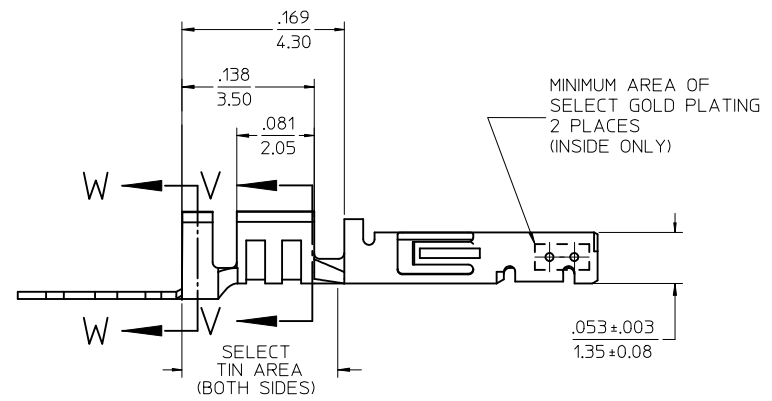
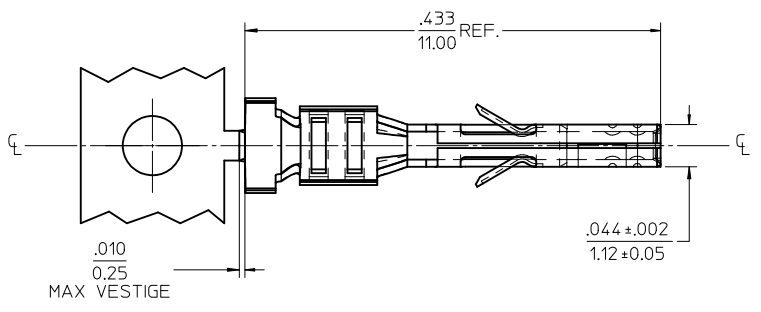
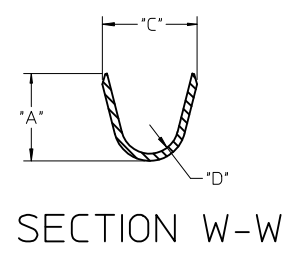
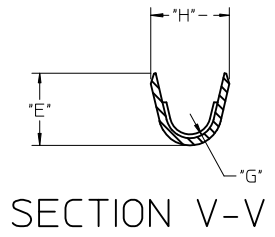


13	12	11	10	9	8	7	6	5	4	3	2	1
WIRE SIZE	MAX INSULATION	"A" ±.012 ±0.30	"C" ±.012 ±0.30	"D" ±.005 ±0.13	"E" ±.012 ±0.30	"G" ±.005 ±0.13	"H" ±.012 ±0.30					
20-24	.073/1.85	.090/2.29	.100/2.54	.030/0.76	.075/1.91	.025/0.64	.082/2.08					
26-30	.050/1.27	.075/1.91	.083/2.10	.025/0.64	.058/1.47	.020/0.51	.065/1.65					

MATERIAL NUMBER	PLATING	WIRE SIZE	FORM
43030-0051	A	20-24	CHAIN
43030-0052	B	20-24	CHAIN
43030-0053	C	20-24	CHAIN
43030-0056	C	26-30	CHAIN
43030-0059	C	20-24	LOOSE



NOTES

- 1) MATERIAL: PHOSPHOR BRONZE ALLOY
- 2) TERMINAL PLATING:  
 \*A\* - HOT TIN DIP: .000040/0.00102 MIN.  
 \*B\* - .000015/0.00038 MIN. SELECT GOLD  
 .000100/0.00254 MIN. SELECT TIN  
 ALL OVER .000050/0.00127 MIN. NICKEL OVERALL.  
 \*C\* - .000030/0.00076 MIN. SELECT GOLD  
 .000100/0.00254 MIN. SELECT TIN  
 ALL OVER .000050/0.00127 MIN. NICKEL OVERALL.  
 MATERIAL NUMBERS WITH SELECT PLATING ARE POST PLATED.
- 3) PRODUCT SPECIFICATION: PS-43045, PS-43650, PS-44300-001.
- 4) PACKAGING SPECIFICATION: PK-43030-002 (REEL), PK-43030-003 (LOOSE).
- 5) TERMINAL FOR USE IN A MICRO FIT RECEPTACLE #43025-\*\*\*\*, 43645-\*\*\*\*, or 44133-\*\*\*\*.
- 6) FOR TERMINAL ORIENTATION IN RECEPTACLE SEE DRAWING #SDA-43025 OR SDA-43645.
- 7) THIS TERMINAL IS DESIGNED IN METRIC.
- 8) MOLEX RECOMMENDS THE USE OF MICRO-FIT TEST PLUG (SERIES 44242) WHENEVER CONTINUITY TESTING IS PERFORMED. TEST PLUGS MUST NOT BE USED TO MAKE OR BREAK UNDER LOAD. MOLEX DOES NOT RECOMMEND USING STANDARD MATING COMPONENTS (SERIES 43020, 43045, 43640, 43650, OR 43031) FOR HARNESS TESTING PURPOSES.
- 9) THE PRIMARY SHIPPING CARTON WILL BE LABELED \*COMPLIANT TO RoHS DIRECTIVE 2002/95/EC AND ELV ANNEX II OF DIRECTIVE 2000/53/EC.\* ASSEMBLIES WILL BE COMPLIANT TO THE RoHS AND ELV (LEAD-FREE) DIRECTIVES.

<b>ADD PK-43030-003.</b> EC NO: UCP2010-0737 DRWN:SSOUSEK 2009/12/30 CHKD:SSOUSEK 2009/12/30 APPR:FSMITH 2010/01/04	QUALITY SYMBOLS	GENERAL TOLERANCES (UNLESS SPECIFIED)	DIMENSION STYLE	SCALE	DESIGN UNITS	THIRD ANGLE PROJECTION															
	$\nabla=0$ $\nabla=0$	<table border="1"> <tr> <th></th> <th>mm</th> <th>INCH</th> </tr> <tr> <td>4 PLACES</td> <td>± ---</td> <td>± ---</td> </tr> <tr> <td>3 PLACES</td> <td>± ---</td> <td>± .010</td> </tr> <tr> <td>2 PLACES</td> <td>± 0.25</td> <td>± .014</td> </tr> <tr> <td>1 PLACE</td> <td>± 0.35</td> <td>± ---</td> </tr> </table>		mm	INCH	4 PLACES	± ---	± ---	3 PLACES	± ---	± .010	2 PLACES	± 0.25	± .014	1 PLACE	± 0.35	± ---	IN/MM	10:1	METRIC	
		mm	INCH																		
	4 PLACES	± ---	± ---																		
3 PLACES	± ---	± .010																			
2 PLACES	± 0.25	± .014																			
1 PLACE	± 0.35	± ---																			
DESCRIPTION	DRAFT WHERE APPLICABLE MUST REMAIN WITHIN DIMENSIONS	DRAWN BY: RHOLTS CHECKED BY: LSCHMIDT APPROVED BY: FSMITH DATE: 2004/07/21 DATE: 2004/07/21 DATE: 2004/07/21	TITLE	<b>MICRO-FIT (3.0) FEMALE CRIMP TERMINAL, LEAD FREE</b>																	
REV: C1		ANGULAR ±1/2°	SEE CHART	MATERIAL NO.	DOCUMENT NO.	SHEET NO.															
						<b>SD-43030-002</b> 1 OF 1															