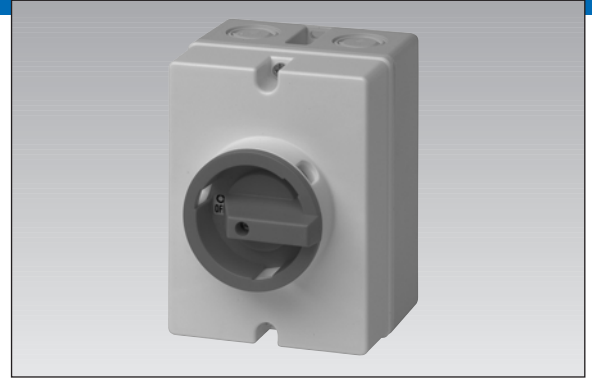


- 3 and 4 pole
- On load 20A - 80A
- Interlocked enclosure lid
- Red/yellow enclosure
- 3 padlock positions
- IP65 enclosure
- Side mounted auxiliary contacts



Options and ordering codes

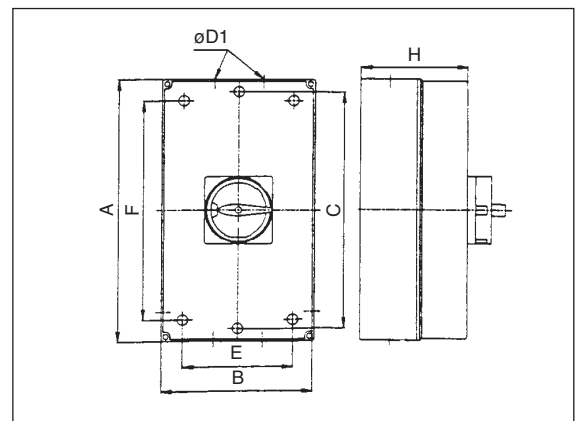
Rating @ 400V		3 Pole	4 Pole
AC21 / Amps	AC23 / kW	Product	Product
20	5.5	PE69-3020	PE69-4020
25	7.5	PE69-3025	PE69-4025
32	11	PE69-3032	PE69-4032
40	15	PE69-3040	PE69-4040
63	18.5	PE69-3063	PE69-4063
80	22	PE69-3080	PE69-4080

Accessories

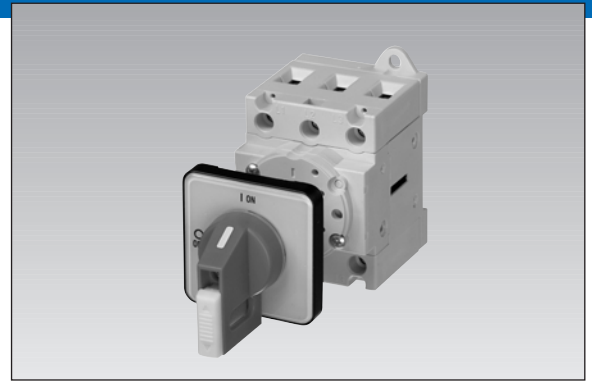
Description	Part ref
Auxiliary contacts 1 n/o + 1 n/c	A69-0001

Dimensions

Switch Rating	A	B	D1	E	F	H
20A to 40A	130	98	2xM20/25	75	100	77
63A and 80A	180	110	M23/29	95	165	90



- 3 and 4 pole
- On load 20A - 80A
- Door interlocked handle
- Single hole fixing 22.5mm
- 3 padlock positions
- IP65
- DIN rail or base mounted
- Light weight ext shafts 100 - 400mm
- Side mounted auxiliary contacts
- UL approval

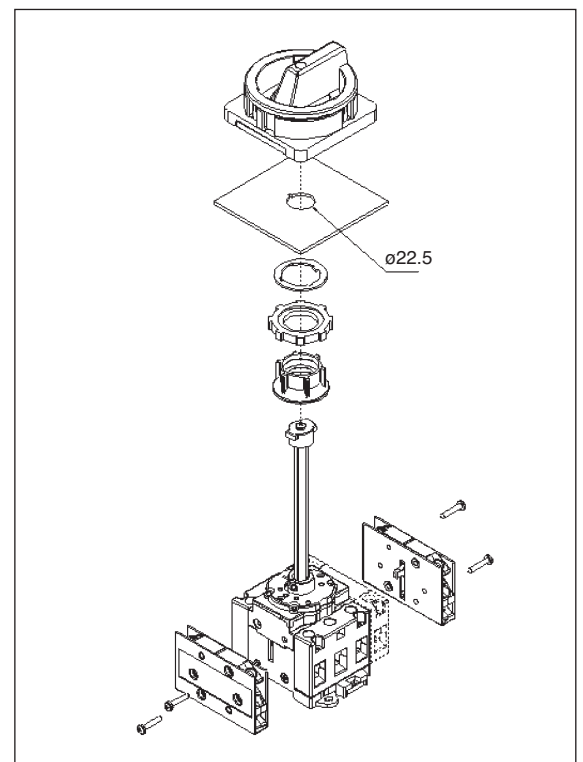


Options and ordering codes

Rating @ 400V		3 Pole	4 Pole
AC21 / Amps	AC23 / kW	Product	Product
20	5.5	LB69-3020	LB69-4020
25	7.5	LB69-3025	LB69-4025
32	11	LB69-3032	LB69-4032
40	15	LB69-3040	LB69-4040
63	18.5	LB69-3063	LB69-4063
80	22	LB69-3080	LB69-4080

Accessories

Description	Part ref
Red/yellow handle 64 x 64mm	H69-0001
Black handle 64 x 64mm	H69-0002
Red/Yellow handle 48 x 48mm	H69-0003
Black handle 48 x 48mm	H69-0004
Extension shaft - 100mm	E69-0001
Extension shaft - 200mm	E69-0002
Extension shaft - 300mm	E69-0003
Extension shaft - 400mm	E69-0004
Auxiliary contacts 1 n/o + 1 n/c	A69-0001
Solid neutral block	SN69-0001
Yellow plate - main switch	EP69-0001

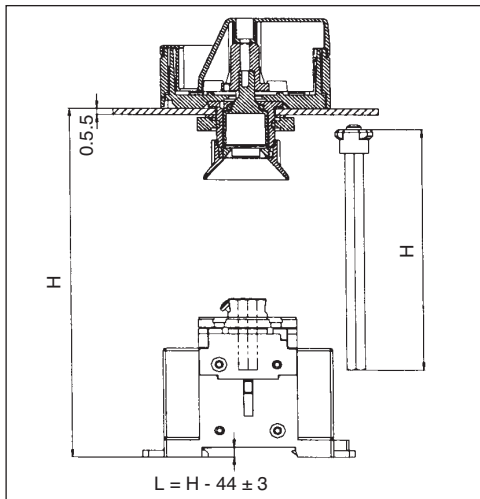


Specification

		LB693020 LB694020	LB693025 LB694025	LB693032 LB694032	LB693040 LB694040	LB693063 LB694063	LB693080 LB694080	
Rated insulation voltage	Ui	690	690	690	690	690	690	
Rated thermal current	Ith	20A	25A	32A	40A	63A	80A	
Ratings @ 415V								
	AC21	A	20	25	32	40	63	80
	AC22	A	20	25	32	40	63	80
	AC23	Kw	5.5	7.5	11	15	18.5	22
Making capacity @ 415V	Aeff	120	150	220	300	370	440	
Breaking capacity @ 415V	Aeff	110	135	200	250	330	380	
Electrical life @ rated load								
Mechanical life	x10³	100	100	100	100	100	100	
Maximum cable size	mm²	10	10	10	10	25	25	
Weight	g	0.46	0.46	0.46	0.46	0.46	0.46	

Dimensions

H = Base plate to door, L = shaft length



- X = H
- B = 48mm 3 pole, 62.5mm 4 pole
- B1 = 10mm
- B2 = 14.5mm
- G = 64mm

