

# Amphenol

## PPS

### Push Pull Series

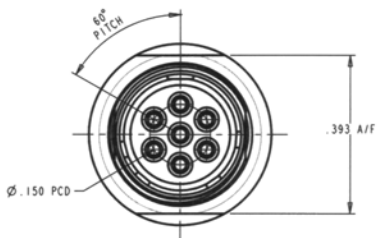


The PPS is a miniature connector with push pull technology. It is designed for use on equipment that is not submersed or left exposed to the elements for prolonged periods, within Industrial and Ground Harsh Environment applications. To mate, the plug is pushed onto the receptacle. The connector is locked in its rest position and is released by pulling back the coupling nut.

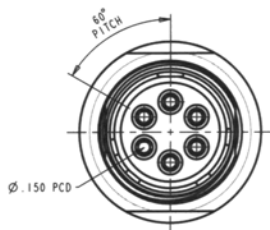
The PPS has a small outside diameter and several inserts are available, including high-density insert arrangements. The plugs can be fitted with EMC grounding fingers for increased screening effectiveness. Amphenol Ltd offers full cable harness solutions with overmoulding capabilities or, where preferred, a heat shrink boot can be used.

The plug has a black silver body and backshell with a black zinc cobalt plated coupling nut. Other plating finishes are available and all are chemical and NBC resistant. Receptacles are available in black zinc cobalt as standard. All metalwork is machined from brass for increased mating durability.

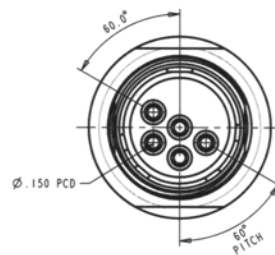
RECEPTACLES – SOCKET CONTACTS ONLY



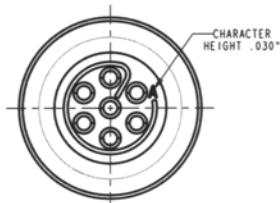
FRONT FACE VIEW  
PPS 7 WAY



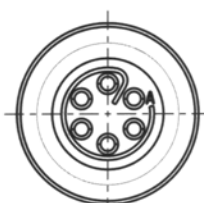
FRONT FACE VIEW  
PPS 6 WAY



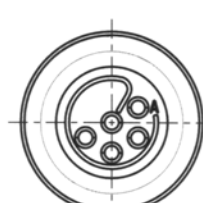
FRONT FACE VIEW  
PPS 5 WAY



REAR FACE VIEW  
PPS 7 WAY

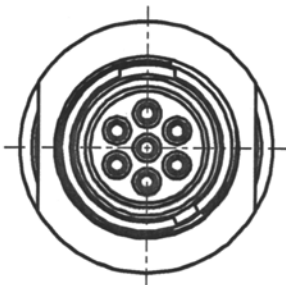


REAR FACE VIEW  
PPS 6 WAY

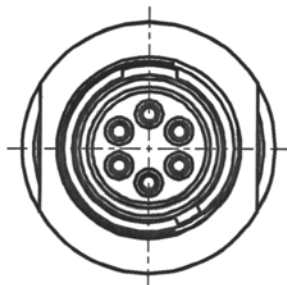


REAR FACE VIEW  
PPS 5 WAY

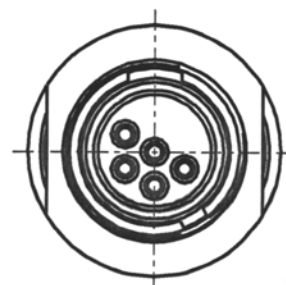
PLUGS – PIN CONTACTS ONLY



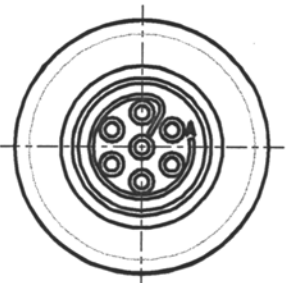
FRONT FACE VIEW  
PPS 7 WAY



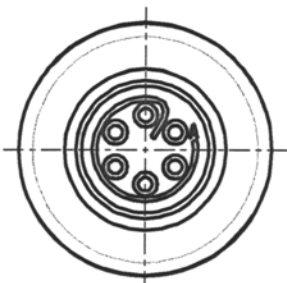
FRONT FACE VIEW  
PPS 6 WAY



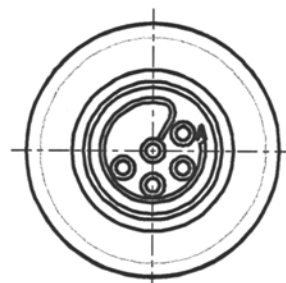
FRONT FACE VIEW  
PPS 5 WAY



REAR FACE VIEW  
PPS 7 WAY



REAR FACE VIEW  
PPS 6 WAY



REAR FACE VIEW  
PPS 5 WAY

## Insert Availability / Specifications

INSERT AVAILABILITY	
05-05	5 # 22 AWG Contacts
05-06	6 # 22 AWG Contacts
05-07	7 # 22 AWG Contacts

CONTACT SPECIFICATIONS		
Contact Resistance	5 mΩ initially	Less than 10 mΩ
Shell to Shell Conductivity	5 mΩ initially	Less than 10 mΩ

INSERT SPECIFICATIONS	
Contact Arrangement	05-05 / 05-06 / 05-07
Working Voltage (Sea Level)	115 Vac
DWV (Sea Level)	500 Vac
Insulation Resistance (Sea Level)	1GΩ @ 500 Vdc
Current Rating (Individual Contact)	3A
Current Rating (all Contacts Simultaneously)	1A

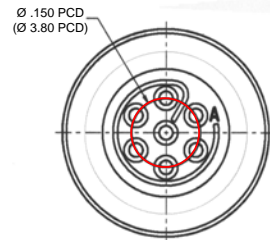
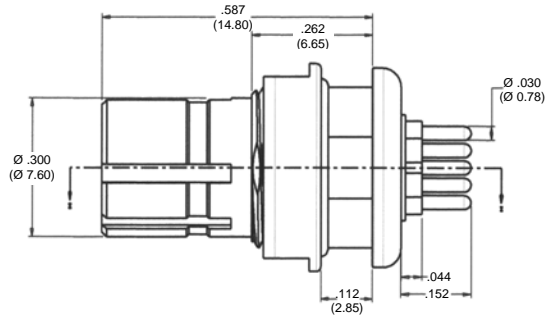
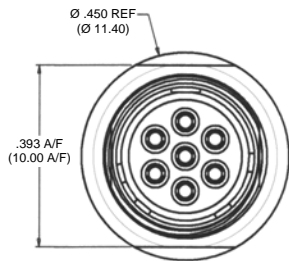
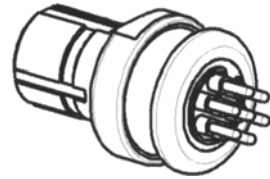
ENVIRONMENTAL	
Temperature	-55°C / +85°C
Salt Spray	500 hours subject to selected plating finish
Fluids	As per MIL-C-26482 Series I
Vibration and Shock	MIL-C-26482 Series I
Sealing	IP67 Unmated Bulkhead Connectors
	IP64 Mated Pair Interface

MECHANICAL	
Durability	1000 Matings
Materials	Shell : Brass – See Part No. information for plating options
	Contacts : Turned, Gold Plated
	Inserts and Seal : Proprietary Thermoplastic Polyester Elastomer

Table of Styles - Receptacles

PPS-07A05-XXSX-001

Jam Nut Receptacle  
PCB Contacts

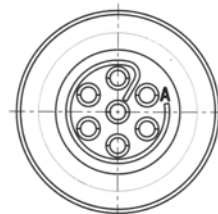
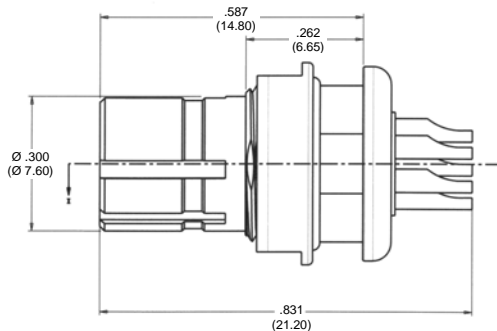
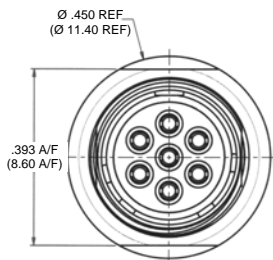
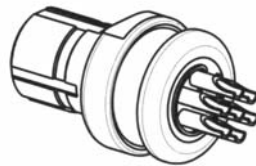


Panel Nut - Torque to 2.25Nm = 1.65 foot pounds force

All Dimensions are for reference only  
(Dimensions in brackets are in mm)

PPS-07A05-XXSX-002

Jam Nut Receptacle  
Solder Bucket Contacts



Panel Nut - Torque to 2.25Nm = 1.65 foot pounds force

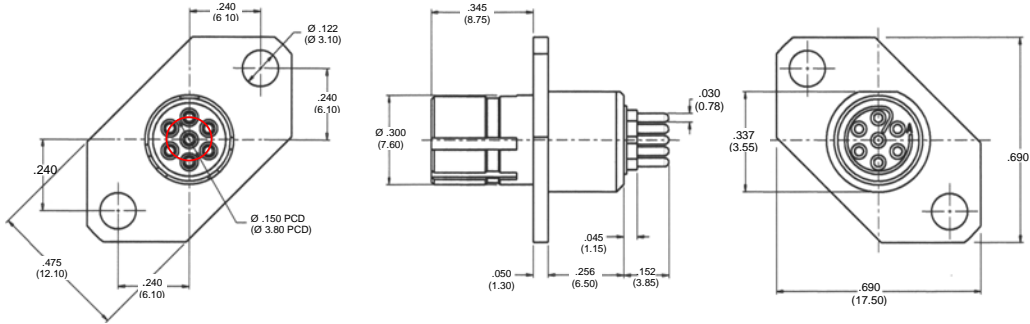
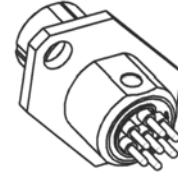
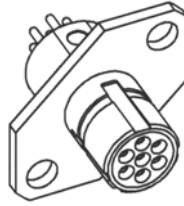
All Dimensions are for reference only  
(Dimensions in brackets are in mm)



Table of styles - Receptacles

PPS-02A05-XXSX-001

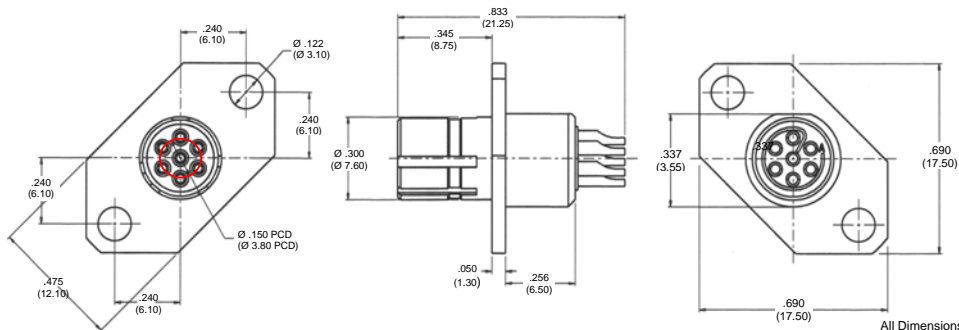
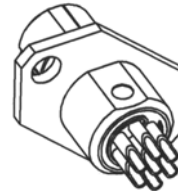
2 Hole Panel Mount Receptacle  
Pin Tail Contacts



All Dimensions are for reference only  
(Dimensions in brackets are in mm)

PPS-02A05-XXSX-002

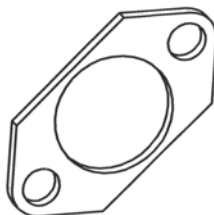
2 Hole Panel Mount Receptacle  
Solder Bucket Contacts



All Dimensions are for reference only  
(Dimensions in brackets are in mm)

390-0122-01

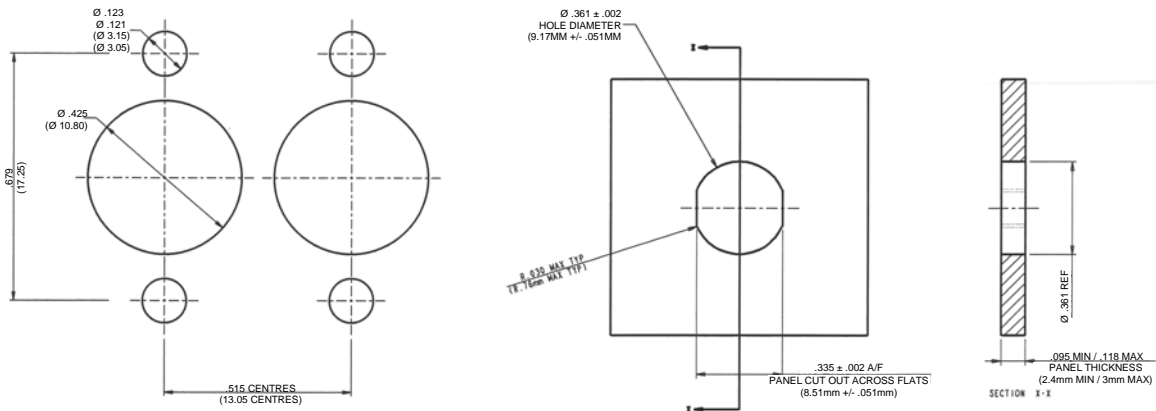
2 Hole Panel Mount Receptacle Gasket



Used on PPS-02T and PPS-02A

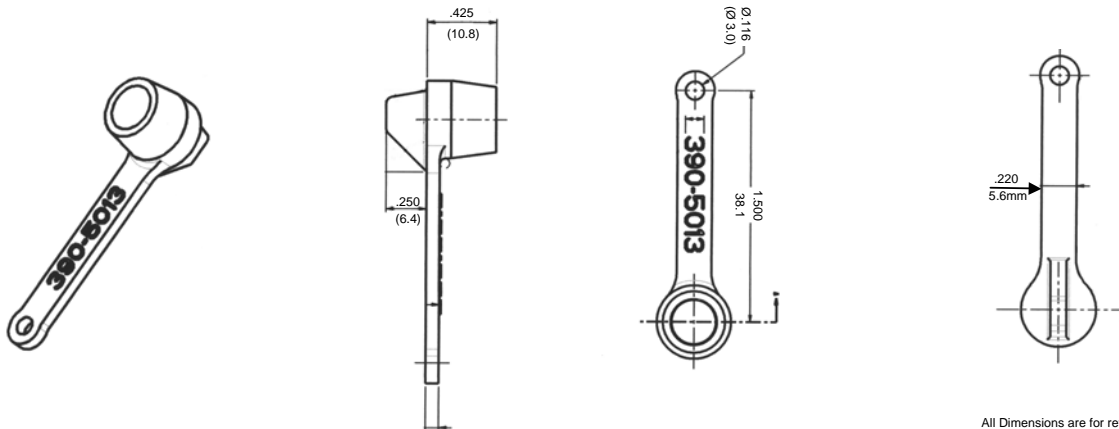
All Dimensions are for reference only  
(Dimensions in brackets are in mm)

Cut Out Details



All Dimensions are for reference only  
(Dimensions in brackets are in mm)

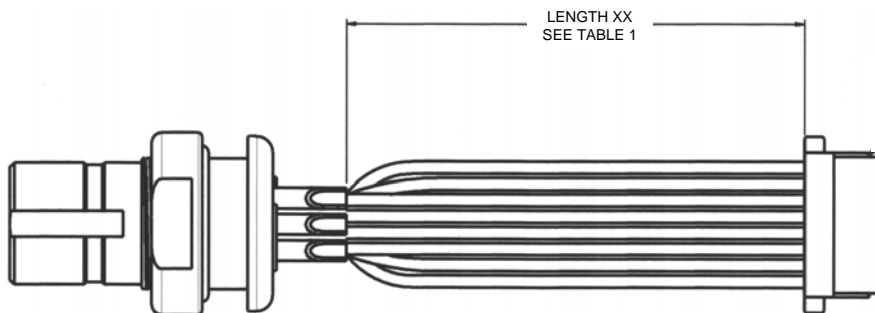
390-5013  
Receptacle Dust Cap – Colour Black



All Dimensions are for reference only  
(Dimensions in brackets are in mm)

PPS-6XXX-XXX

Jam Nut Receptacle to Header Assembly



MATING HALF  
CONNECTOR  
RS-311-6546

VARIANT	LENGTH XXX
.025	25MM
.050	50MM
.075	75MM
.100	100MM
.125	125MM
.150	150MM

Panel Nut - Torque to 2.25Nm = 1.65 foot pounds force

Please contact Amphenol Ltd for full part numbering information

This is available with the following PPS Receptacle styles and in all Inserts: PPS-07A, PPS-01T, PPS-02A

**PPS-06T05-XXPX-XXX**

**Non Grounded Plug complete with Backshell and optional Crimp Ferrule**

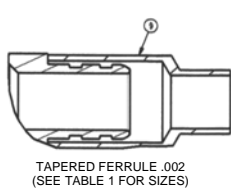
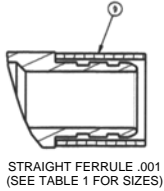
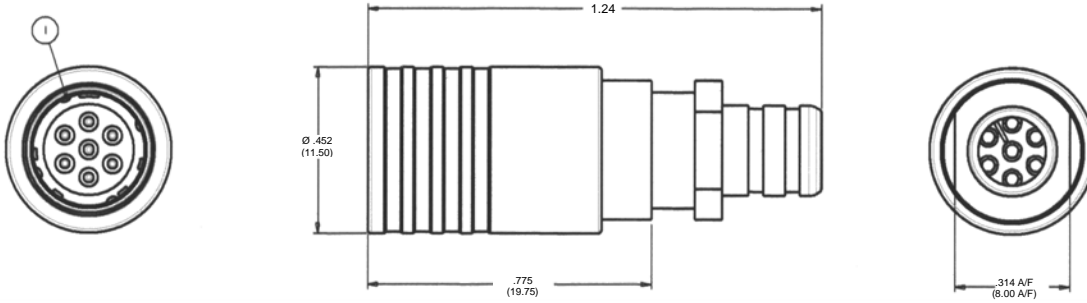
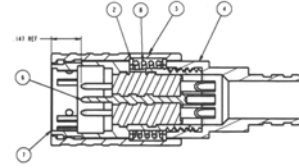
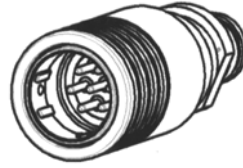


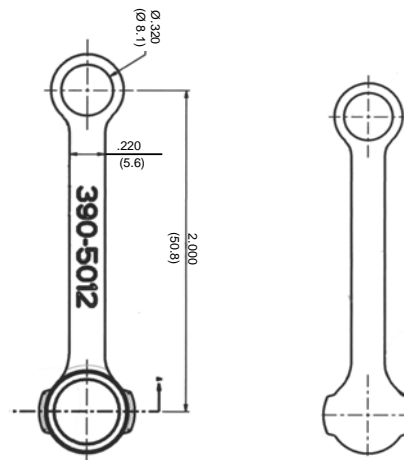
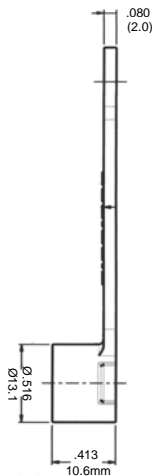
TABLE 1	
PART NUMBER	MAX. CABLE DIAMETER FOR FERRULE
PPS-06T05-XXPX-001	6.5MM
PPS-06T05-XXPX-002	4.3MM
PPS-06T05-XXPX-003	3.2MM

All Dimensions are for reference only  
(Dimensions in brackets are in mm)

Options for Black Zinc Cobalt Plated	Ferrule	Max. Cable Diameter
001	Parallel Ferrule	5.6mm O.D.
002	Taper Ferrule	4.3mm O.D.
003	Taper Ferrule	3.2mm O.D.

For Crimp Tool details, please refer to the back of this catalogue.

**390-5012  
Plug Dust Cap – Colour Black**



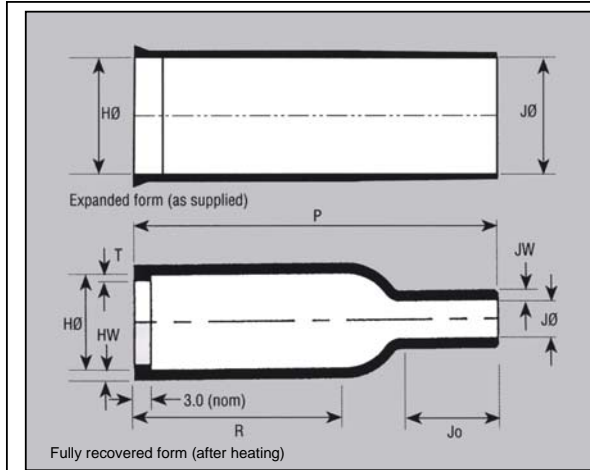
All Dimensions are for reference only  
(Dimensions in brackets are in mm)



**For use with PPS-06T and PPS-06TG Plugs and PPS-01T In Line Receptacles**

We have selected Heatshrink Boots from Hellermann Tyton. Heatshrink Boots from other manufacturers may be used if appropriate.

**100 Series – Bottle Shapes with Rib – MIL Style**

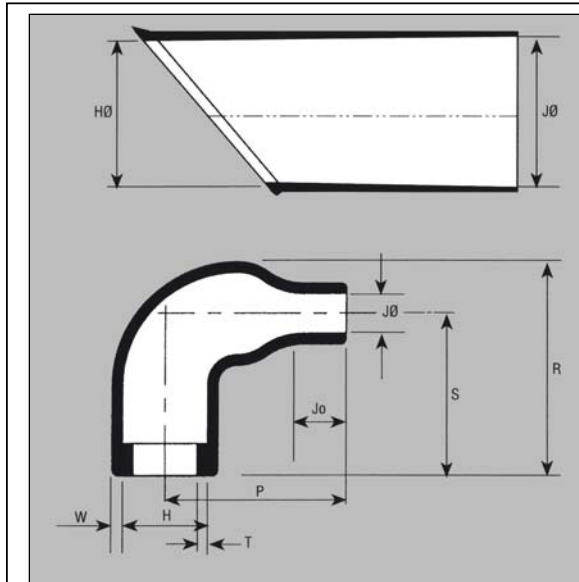


This style is used in conjunction with the backshell (see page 8), providing strain relief and environmental sealing

Dimensions apply to all materials unless otherwise indicated and dimensions in brackets are in mm

Hellermann Part No	Expanded (Min)				Recovered (Max)		Recovered Dimensions Fully Shrunk					
	H	H -H matl	JØ	J -H matl	H	JØ	P ±10%	R ±10%	Jo ±10%	HW ±10%	JW ±10%	T ±10%
113-4-G-WM250	0.3976 (10.7)	0.3976 (10.7)	0.1811 (4.6)	0.1811 (4.6)	0.3110 (7.9)	(0.0787) (2.0)	1.0 (25.4)	0.5709 (14.5)	0.1811 (4.6)	0.0512 (1.3)	0.0512 (1.3)	0.0394 (1.0)

**1100 Series – Right Angle Shapes with Rib – MIL Style**



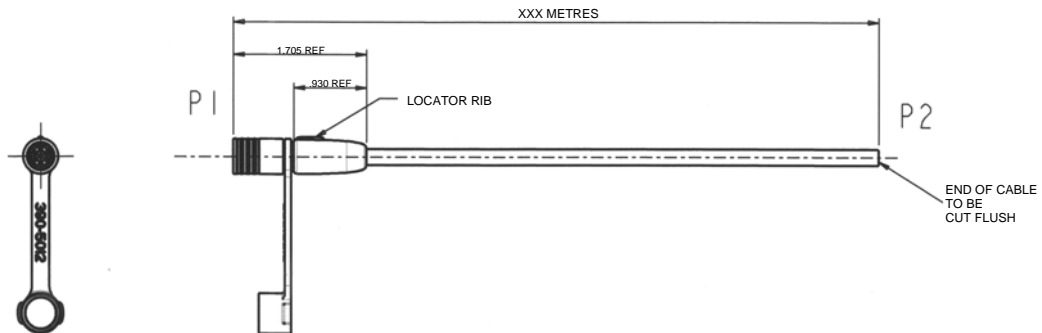
The style provides strain relief for harness systems when used in conjunction with the backshell (see page 8)

Dimensions apply to all materials unless otherwise indicated and dimensions in brackets are in mm

Hellermann Part No	Expanded (Min)		Recovered (Max)		Recovered Dimensions Fully Shrunk					
	H	JØ	H	JØ	P ±10%	R ±10%	S ±10%	Jo ±10%	W ±20%	T ±20%
1108-4-G-WM250	0.6496 (16.5)	0.6496 (16.5)	0.3110 (7.9)	0.1496 (3.8)	0.6875 (17.3)	0.7969 (20.1)	0.6005 (15.2)	0.1614 (4.1)	0.0394 (1.0)	0.0394 (1.0)

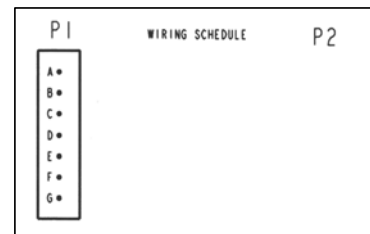
Amphenol Ltd can supply complete overmoulded cable harness solutions to your specifications. Detailed below are some examples of what would be available on request. The following templates are of common harness configurations – please consult factory for cable number allocation

**UP TO 7 WAY SINGLE ENDED CABLE ASSEMBLY**



**NOTES:**

1. THE MAIN KEY OF THE CONNECTOR IS TO BE IN LINE WITH THE LOCATION RIB ON THE OVERMOULD.
2. ALL DIMENSIONS ARE FOR REFERENCE ONLY.
3. XXX PART NUMBER DENOTES CABLE LENGTH IN METRES



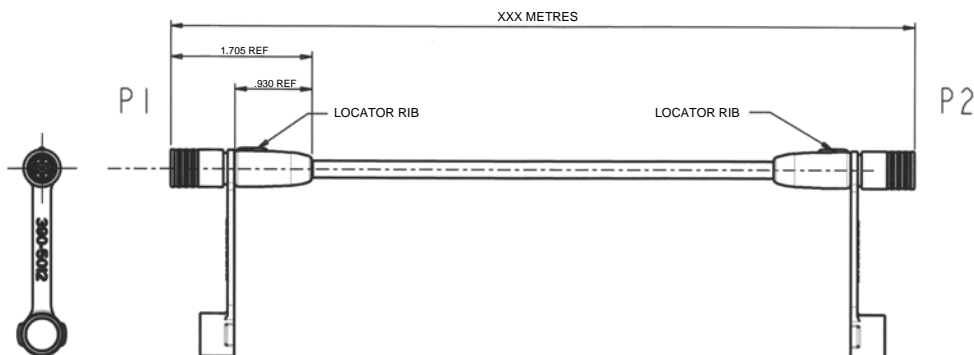
**PPS - 5XXX - XXX**

CONNECTOR SERIES      CABLE LENGTH

TECHNICAL DESCRIPTION –  
CONSULT PRODUCT SUPPORT  
PPS@AMPHENOL.CO.UK

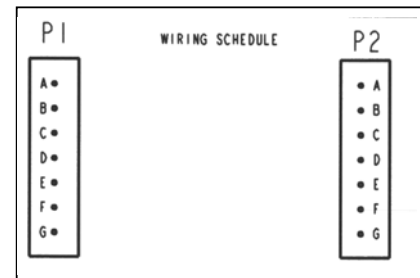
All Dimensions are for reference only  
(Dimensions in brackets are in mm)

**UP TO 7 WAY DOUBLE ENDED CABLE ASSEMBLY**



**NOTES:**

1. THE MAIN KEY OF THE CONNECTOR IS TO BE IN LINE WITH THE LOCATION RIB ON THE OVERMOULD.
2. ALL DIMENSIONS ARE FOR REFERENCE ONLY.
3. XXX PART NUMBER DENOTES CABLE LENGTH IN METRES



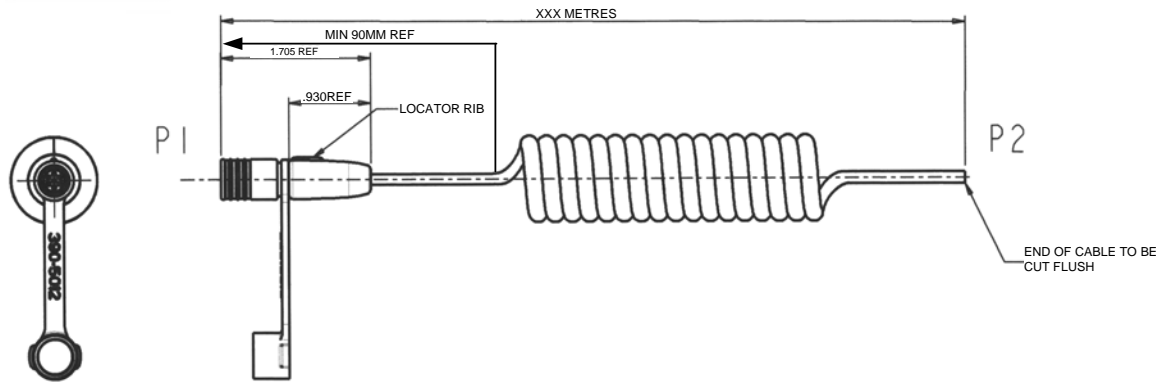
**PPS - 5XXX - XXX**

CONNECTOR SERIES      CABLE LENGTH

TECHNICAL DESCRIPTION  
CONSULT PRODUCT SUPPORT  
PPS@AMPHENOL.CO.UK

All Dimensions are for reference only  
(Dimensions in brackets are in mm)

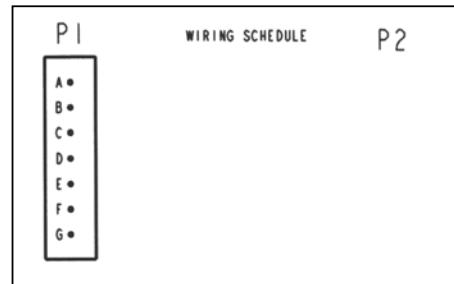
**UP TO 7 WAY COILED SINGLE ENDED CABLE ASSEMBLY**



**NOTES:**

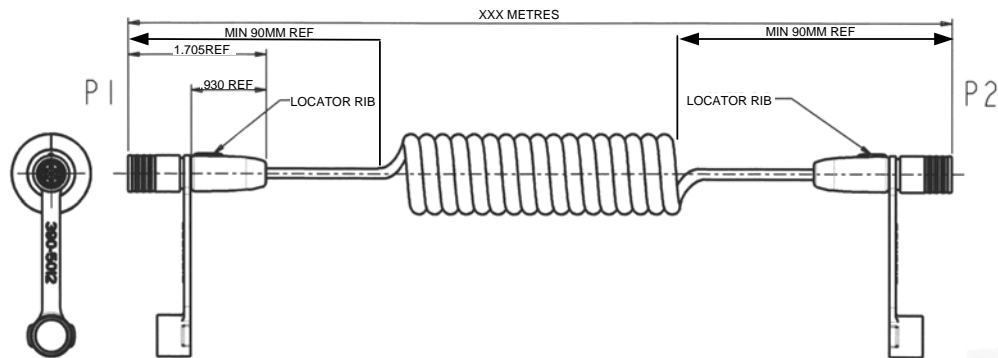
1. THE MAIN KEY OF THE CONNECTOR IS TO BE IN LINE WITH THE LOCATION RIB ON THE OVERMOULD
2. ALL DIMENSIONS ARE FOR REFERENCE ONLY
3. XXX IN PART NUMBER DENOTES CABLE LENGTH IN METRES

**PPS - 5XXX - XXX**  
 CONNECTOR SERIES      CABLE LENGTH  
 TECHNICAL DESCRIPTION  
 CONSULT PRODUCT SUPPORT  
 PPS@AMPHENOL.CO.UK



All Dimensions are for reference only  
(Dimensions in brackets are in mm)

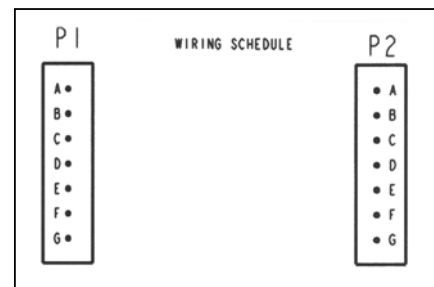
**UP TO 7 WAY COILED DOUBLE ENDED CABLE ASSEMBLY**



**NOTES:**

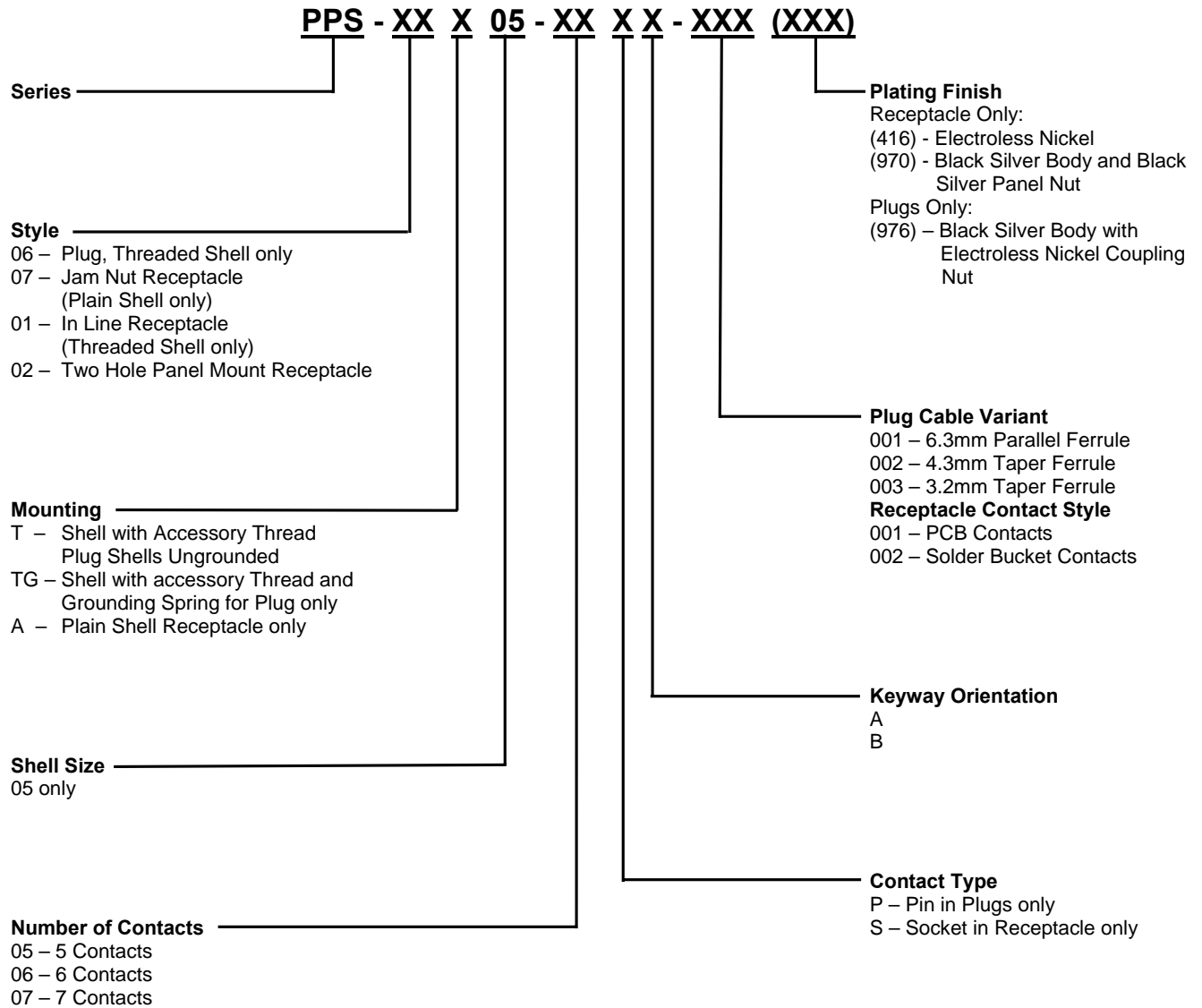
1. THE MAIN KEY OF THE CONNECTOR IS TO BE IN LINE WITH THE LOCATION RIB ON THE OVERMOULD
2. ALL DIMENSIONS ARE FOR REFERENCE ONLY
3. XXX IN PART NUMBER DENOTES CABLE LENGTH IN METRES

**PPS - 5XXX - XXX**  
 CONNECTOR SERIES      CABLE LENGTH  
 TECHNICAL DESCRIPTION  
 CONSULT PRODUCT SUPPORT  
 PPS@AMPHENOL.CO.UK



All Dimensions are for reference only  
(Dimensions in brackets are in mm)

**Any Cable Assembly Part Number will be issued at quotation or order placement stage by Amphenol Ltd only. For more details please consult the factory.**



**STANDARD PLATING**

**Plugs**

Omit Deviation – Black Silver Plated Body and Backshell with Black Zinc Cobalt Coupling Nut

**Receptacles**

Omit Deviation – Black Zinc Cobalt Body and Black Zinc Cobalt Panel Nut (where applicable)

## For Braid Termination Style 003

Crimp the Braid into place so that the ferrule butts up against the shoulder of the backshell. Use crimp tool Daniels HX4 M22520/5-01 handle, crimp die set Daniels Y530 CAGE 11851 at setting 180.



March 2005

**Notice:** Products are sold subject to Amphenol's Standard Conditions of Sale. All specifications and statements contained herein are believed to be correct at the time of printing but no representation or warranty, express or implied, is given as to any specification or statement contained herein. Product specifications including performance characteristics are typical only and subject to deviation. Specifications are also subject to change without notice. Users should not assume that all safety measures are indicated or that other measures may not be required. No representation or warranty, express or implied, is given that any use of products (including any stated or suggested use) does not infringe any patent, registered design or other third party rights and no stated or suggested use of products can be taken to recommend any such infringement.

# Amphenol

Thanet Way, Whitstable, Kent. CT5 3JF Tel: 01227 773200 Fax: 01227 276571