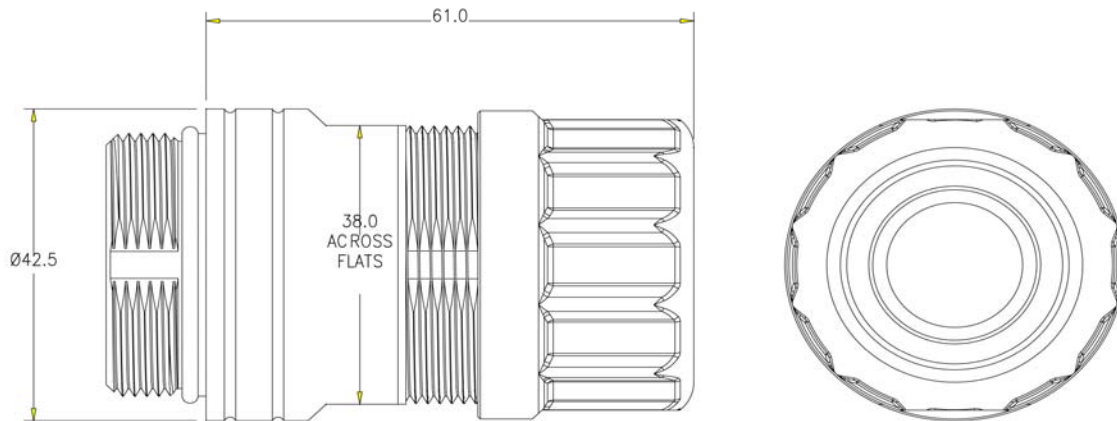


CONFIGURATION	PART NUMBER	LENGTH
CORD GRIP 19mm -21.5mm EXIT DIAMETER	MC3CG-S5	NA

DIMENSIONS



CABLE RANGE
19mm – 21.5mm

TECHNICAL DATA

TEMPERATURE RANGE:	-20C to +130C
PROTECTION:	IP 67 (Plugged Condition)
DEGREE OF PROTECTION:	3
OVER VOLTAGE CATEGORY:	III
HOUSING BODY:	ZINC DIE-CAST
COUPLING NUT:	BRASS, NICKEL-PLATED
INSULATION INSERTS:	PA66 / PBT, UL 94 / VO
CONTACTS:	BRASS, GOLD-PLATED
SEALS:	DUPONT VITON

