

LABELS THAT STICK & STAY STUCK

RHINO labels are as dependable as the RHINO 5000. Easy to use and super-strong, they're designed for the long haul. Thanks to industrial-strength adhesives, they deliver the lasting durability and legibility you demand – in five materials, for a multitude of applications. To meet your high standards, RHINO labels are designed to work exclusively with our printers and perform on any surface you encounter.

- Easy-to-peel, split-back styles will speed you along.
- Industrial-strength adhesives help these labels stick and stay stuck – even in harsh environments.
- Thermal transfer print technology produces labels that are durable, smear-proof and resistant to chemicals, solvents, heat, UV and more.



AVAILABLE KITS



RHINO 5000 Industrial Labeling Tool
Part No. 15517 UPC: 0 71701 15517 7

Includes:
RHINO 5000
Impact-resistant rubber bumper
One black-on-white 3/4" flexible nylon label cassette
Quick Start Guide
Instruction Manual
Limited One-Year Warranty

Printer Weight: 1.6 lbs. (725 grams)
Printer Dimensions: 8.75"H x 4.75"W x 3"D
(222mm x 121mm x 76mm)

Master Carton: 3 Units
Weight: 4.8 lbs. (2177 grams)
Dimensions: 13.4"L x 12"W x 9.8"H
340mm x 304mm x 249mm (LxWxH)



RHINO 5000 Installer Kit
Part No. 17379 UPC: 0 71701 17379 9

Includes:
RHINO 5000
Impact-resistant rubber bumper
One black-on-white 3/4" flexible nylon label cassette
One black-on-white 1/2" permanent polyester label cassette
One black-on-white 1/2" metallized polyester label cassette
AC power adapter
6 "AA" batteries
Quick Start Guide
Instruction Manual
Limited One-Year Warranty

Printer Weight: 1.6 lbs. (725 grams)
Printer Dimensions: 8.75"H x 4.75"W x 3"D
(222mm x 121mm x 76mm)

Master Carton: 3 Units
Weight: 6.9 lbs. (3130 grams)
Dimensions: 12.3"L x 9.3"W x 11.6"H
312mm x 236mm x 290mm (LxWxH)



RHINO 5000 Hard Case Kit
Part No. 15603 UPC: 0 71701 15603 7

Includes:
RHINO 5000
Impact-resistant rubber bumper
Durable, hard carry case
One black-on-white 3/4" flexible nylon label cassette
One black-on-white 3/4" permanent polyester label cassette
AC power adapter
6 "AA" batteries
Instruction Manual
Limited One-Year Warranty

Weight: 4.3 lbs. (1951 grams)
Dimensions: 17.5"L x 13.25"W x 4.5"H
445mm x 337mm x 290mm (LxWxH)

Master Carton: 3 Units
Weight: 12.90 lbs. (5852 grams)
Dimensions: 18.25"L x 13.8"W x 14.3"H
464mm x 351mm x 363mm (LxWxH)



RHINO 5000 Rechargeable Battery Pack
Part No. 13295 UPC: 0 71701 13295 6

Weight: 436 lbs. (198 grams)
Dimensions: 1.3"D x 2.9"W x 3.98"H
33mm x 73.6mm x 101mm (DxWxH)



RHINO™ LABELS

FLEXIBLE NYLON – Curved or flat surfaces.
Wires, patch panels, machinery, equipment, bins, etc.



PART #	DESCRIPTION	LENGTH
18488	White Flexible Nylon Tape 1/2" (12mm)	11.5'
18489	White Flexible Nylon Tape 3/4" (19mm)	11.5'
18490	Yellow Flexible Nylon Tape 1/2" (12mm)	11.5'
18491	Yellow Flexible Nylon Tape 3/4" (19mm)	11.5'

PERMANENT POLYESTER – Flat surfaces.
Equipment, bins, patch panels, etc.



PART #	DESCRIPTION	LENGTH
18482	White Perm Poly Tape 3/8" (9mm)	18'
18483	White Perm Poly Tape 1/2" (12mm)	18'
18484	White Perm Poly Tape 3/4" (19mm)	18'
18508	Clear Perm Poly Tape 3/8" (9mm)	18'
622289	Clear Perm Poly Tape 1/2" (12mm)	18'
622290	Clear Perm Poly Tape 3/4" (19mm)	18'
18485	Metallized Perm Poly Tape 3/8" (9mm)	18'
18486	Metallized Perm Poly Tape 1/2" (12mm)	18'
18487	Metallized Perm Poly Tape 3/4" (19mm)	18'

VINYL – All surfaces. Ideal for outdoor and color-coding applications. Warning messages, wires, patch panels, equipment, machinery, etc.



PART #	DESCRIPTION	LENGTH
18443	White Vinyl 3/8" (9mm)	18'
18444	White Vinyl 1/2" (12mm)	18'
18445	White Vinyl 3/4" (19mm)	18'
18431	Yellow Vinyl 3/8" (9mm)	18'
18432	Yellow Vinyl 1/2" (12mm)	18'
18433	Yellow Vinyl 3/4" (19mm)	18'
18434	Orange Vinyl 3/8" (9mm)	18'
18435	Orange Vinyl 1/2" (12mm)	18'
18436	Orange Vinyl 3/4" (19mm)	18'
18437	Red Vinyl 3/8" (9mm)	18'
18438	Red Vinyl 1/2" (12mm)	18'
18439	Red Vinyl 3/4" (19mm)	18'
18440	Green Vinyl 3/8" (9mm)	18'
18441	Green Vinyl 1/2" (12mm)	18'
18442	Green Vinyl 3/4" (19mm)	18'

HEAT SHRINK TUBE – Wire and cable.



PART #	DESCRIPTION	LENGTH
18051	White Heat Shrink Tube 1/4" (6mm)	5'
18053	White Heat Shrink Tube 3/8" (9mm)	5'
18055	White Heat Shrink Tube 1/2" (12mm)	5'
18057	White Heat Shrink Tube 3/4" (19mm)	5'
18052	Yellow Heat Shrink Tube 1/4" (6mm)	5'
18054	Yellow Heat Shrink Tube 3/8" (9mm)	5'
18056	Yellow Heat Shrink Tube 1/2" (12mm)	5'
18058	Yellow Heat Shrink Tube 3/4" (19mm)	5'

NON-ADHESIVE – Patch panels, distribution blocks, faceplates, etc.



PART #	DESCRIPTION	LENGTH
18111	White Non-Adhesive Tag 1/4" (6mm)	18'
18112	White Non-Adhesive Tag 3/8" (9mm)	18'
18113	White Non-Adhesive Tag 1/2" (12mm)	18'
18114	White Non-Adhesive Tag 3/4" (19mm)	18'
18115	Yellow Non-Adhesive Tag 1/4" (6mm)	18'
18116	Yellow Non-Adhesive Tag 3/8" (9mm)	18'
18117	Yellow Non-Adhesive Tag 1/2" (12mm)	18'
18118	Yellow Non-Adhesive Tag 3/4" (19mm)	18'

RHINO™ 5000

PROFESSIONAL LABELING TOOL

Datacom
Electrical
MRO
Construction
Broadcasting



RHINO 5000 is the tough, affordable labeling tool that outperforms even higher priced labeling solutions in real-world, jobsite conditions. Built for speed and durability, its exclusive one-touch hot keys give you commonly used label formats – like wire wraps and patch panels – at your fingertips.

Want to build your professional reputation? Labeling with the RHINO 5000 gives your installations a neat, finished look. Plus, easy-to-load, easy-to-peel RHINO label cartridges feature industrial-strength adhesives so your labels will stick and stay stuck.

5000 Features:

- The Wrap "Hot Key" enables you to select the wire/cable size so RHINO 5000 can auto-size the text and label length to fit that wire.
- The Patch Panel "Hot Key" creates one label with serialized port numbers and proper distance between ports.
- The Fixed "Hot Key" creates perfectly-sized labels for racks, faceplates, storage bins and more – saving you valuable time.



For more information visit: www.rhinolabeling.com or call us at 1-800-426-7827.
Produced by: DYMO Corp., Stamford, CT ©2006 Sanford, LP, Oak Brook, IL 60523 A Newell Rubbermaid Company www.rhinolabeling.com

RHINO 
PROFESSIONAL LABELING TOOLS
HOW DO YOU SIGN YOUR WORK?™

25719 10/06

RHINO 
PROFESSIONAL LABELING TOOLS
HOW DO YOU SIGN YOUR WORK?™

RHINO™ 5000

PROFESSIONAL LABELING TOOL

Put the power of RHINO 5000 in your hands. In just seconds, create long-lasting labels for wire wrapping, patch panels, terminal blocks and more. Crisp, clear thermal-transfer printing resists smears, chemicals, solvents, UV, heat – whatever your worksite can hand out. And, you'll have an easy handle on things with the RHINO 5000's lightweight portability, bright backlit display and impact-resistant protective rubber bumper. Tired of fumbling with difficult-to-remove label backing?

Our easy-to-peel labels feature a split-back design for "get-it-done-now" efficiency.

Battery Life Indicator
Combined with "automatic shutoff" technology, you won't run short of power on the job.

Backlit Display
Essential for labeling in low-light environments.

Wrap
Automatically selects the right label size – and the largest text size – for maximum legibility on any cable or wire. Differentiates between 6 and 9, 1 and 1, 0 and O. Repeats text for 360° identification.

Fixed
Automatically centers and prints a specified label length – ideal for racks, outlets, bins, warehouse applications and more.

Patch Panel
Saves keystrokes while automatically centering and spacing text to fit each port. Serializes text to eliminate repetitive typing: great for datacom, RF, even fiber patch panels.

Impact-Resistant Rubber Bumper
Protects your RHINO 5000 from accidental falls or harsh jobsite conditions.



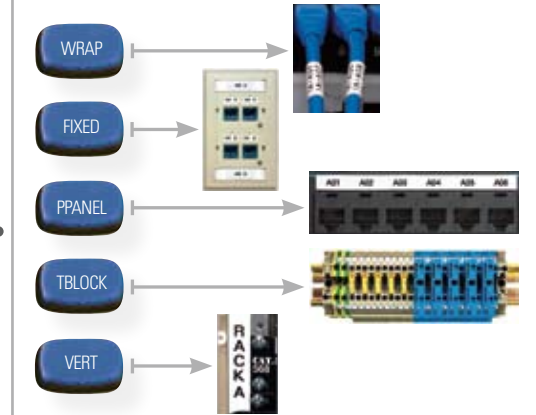
Bar Code
Prints Bar Code 39 and Code 128 on 3/4" (19mm) labels.

Terminal Block
The Terminal Block Key lets users create perfectly spaced, auto-serialized labels for vertically aligned Terminal Blocks – ideal for all electrical jobs.

"Symbols" Library
When words won't do, we've provided a wide range of the symbols for graphic, professional labeling in all types of applications: ⚠ ⚡ Ω ↩

DURABLE

LABEL Hot Keys



HOW TO PRINT...

WRAP

1 Enter text, (eg. 123)



2 Press WRAP

3 Select the size of cable or wire using the navigation key (eg. CAT X/Coax). Press ENTER

4 Press PRINT

PATCH PANEL

1 Enter text (eg. A01)



2 Press PPANEL

3 Select the distance between ports using the navigation key (eg. Δ = 00.750") Press ENTER

4 Press SERIAL

5 Enter the number of ports desired (eg. 6) Press ENTER

FAST

EASY