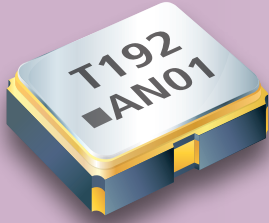


# SMD Oscillators- CMOS Output 2.5 x 2.0 x 0.8 mm AW Series



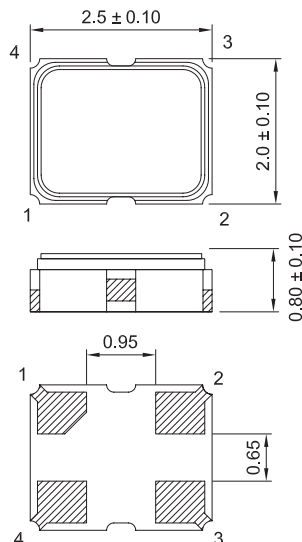
## Features

- Ultra Small SMD seam sealed clock crystal oscillator units.
- Tri-state function available.
- RoHS Compliant / Pb Free.

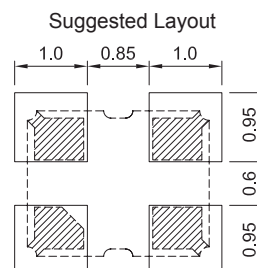
## Electrical Specifications

Item / Type	AW
Output Type	CMOS
Output Load	15 pF , 30 pF
Oscillation Mode	Fundamental
Supply Voltage	1.8 V , 2.5 V , 2.8 V , 3.0 V , 3.3 V
Frequency Range	4 ~ 54 MHz
Frequency Stability	± 25 ppm , ± 50 ppm , ± 100 ppm
Operating Temperature Range	- 40 ~ + 85 °C
Storage Temperature Range	- 55 ~ + 125 °C
Voltage Vol ( Max. ) / Voh ( Min. )	0.1 VDD / 0.9 VDD
Rise ( Tr ) / Fall ( Tf ) Time	5 ns Max.
Supply Current	10 mA Max.
Symmetry	45 ~ 55 %
Start-up Time	5 ms Max.
Phase Jitter ( 12 KHz ~ 20 MHz )	1 ps Max.
Aging ( at 25 °C )	± 3 ppm / year Max.
Reliability Standard	AEC-Q100

## Dimensions



PAD FUNCTION:  
 1:ENABLE CONTROL  
 2:GND  
 3:OUT  
 4:VDD



Units: mm

Remark : Specification subject to change without prior notice. Please confirm with our sales. <http://www.txccorp.com>