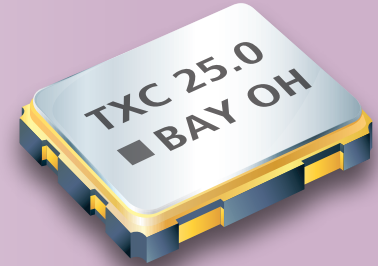


SMD RTC Crystal Oscillators 5.0 x 3.2 x 1.2 mm ACZ Series

Automotive
 Application Series

Features

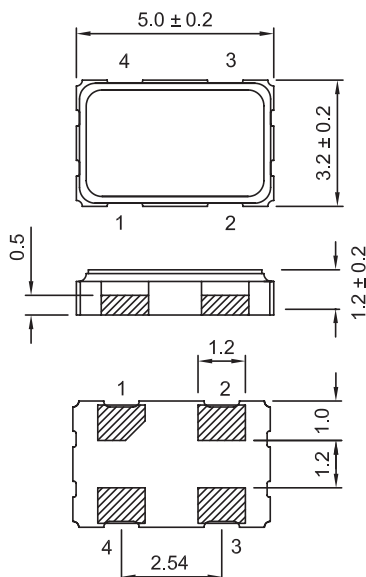
- KHZ crystals oscillator in SMD seam sealed ceramic package.
- 4 pads design to achieve good soldering contact on PCB.
- AT fundamental solution provides good frequency stability.



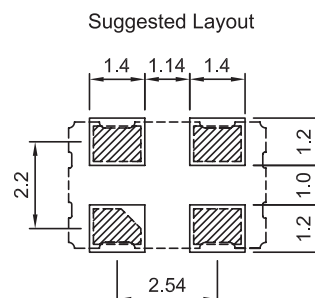
Electrical Specifications

Item / Type	ACZ
Output Type	CMOS
Output Load	15 pF
Oscillation Mode	Fundamental
Supply Voltage	1.8 V , 2.5 V , 3.0 V , 3.3 V
Frequency Range	32.768 kHz
Frequency Stability	± 25 ppm , ± 50 ppm , ± 100 ppm
Operating Temperature Range	- 40 ~ + 85 °C
Storage Temperature Range	- 55 ~ + 125 °C
Voltage Vol (Max.) / Voh (Min.)	0.1 VDD / 0.9 VDD
Rise (Tr) / Fall (Tf) Time	200 ns Max.
Supply Current	3 mA Max.
Symmetry	45 ~ 55 %
Start-up Time	10 ms Max.
Aging (at 25 °C)	± 5 ppm / year Max.
Reliability Standard	AEC-Q100

Dimensions



PAD FUNCTION:
 1:ENABLE CONTROL
 2:GND
 3:OUT
 4:VDD



Units: mm

Remark : Specification subject to change without prior notice. Please confirm with our sales. <http://www.txccorp.com>