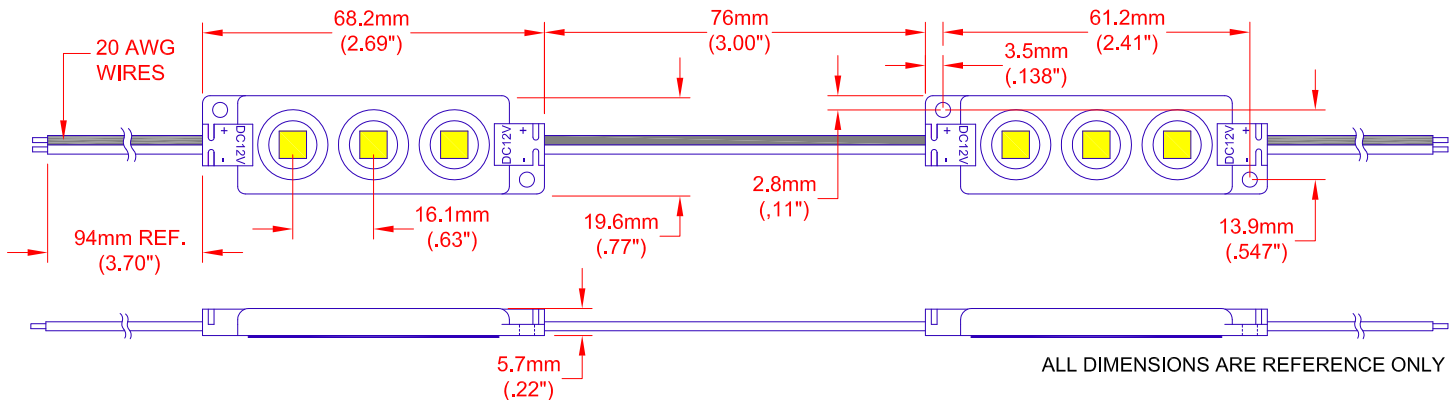


19.6mm X 68.2mm WATER RESISTANT LED MODULES

FEATURES

- VOLTAGE: 12V DC PER MODULE
- CURRENT: 45mA PER MODULE
- LED VIEWING ANGLE (2 θ 1/2): 120°
- MODULE THICKNESS: 5.7mm
- PACKAGE: 20 PIECES PER REEL
- WATER RESISTANCE



JKL PART NO.: ZM-1968-WW (WARM WHITE)

Absolute Maximum Rating at TA = 25°C

| Parameter | Symbol | Absolute MAX. Rating | Unit |
|-------------------------|--------|----------------------|------|
| Forward Current | IF | 45 | mA |
| Power Dissipation | PD | 0.54 | W |
| Electrostatic Discharge | ESD | 800 | V |
| Operating Temperature | Topr | -20~+40 | °C |
| Storage Temperature | Tstg | -25~+60 | °C |

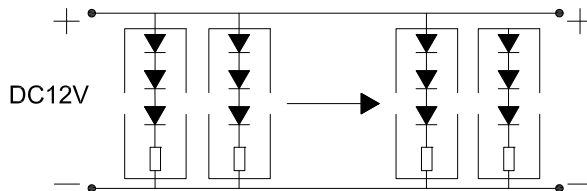
Electrical/Optical Characteristics at TA = 25°C

| Parameter | Symbol | Condition | Min | Typ | Max | Unit |
|---------------------------|---------|-----------|------|-----|-----|--------|
| Forward Voltage DC | VF | IF = 45mA | -- | 12 | -- | V |
| Color Temperature | TC | IF = 45mA | 3000 | | | K |
| Luminous Flux per Module | φV/Mod | IF = 45mA | -- | 35 | -- | lm/mod |
| Luminous Flux per Ft. | φV/Ft | -- | -- | 75 | -- | lm/ft |
| Recommend Forward Current | IF(rec) | -- | -- | 45 | -- | mA |

JKL PART NO.: ZM-1968-CW (COOL WHITE)

Electrical/Optical Characteristics at TA = 25°C

| Parameter | Symbol | Condition | Min | Typ | Max | Unit |
|---------------------------|---------|-----------|------|-----|-----|--------|
| Forward Voltage DC | VF | IF = 45mA | -- | 12 | -- | V |
| Color Temperature | TC | IF = 45mA | 6000 | | | K |
| Luminous Flux per Module | φV/Mod | IF = 45mA | -- | 43 | -- | lm/mod |
| Luminous Flux per Ft. | φV/Ft | -- | -- | 90 | -- | lm/ft |
| Recommend Forward Current | IF(rec) | -- | -- | 45 | -- | mA |



NOTES:

- STANDARD MOUNTING INCLUDES ADHESIVE BACKING AND MOUNTING TABS FOR A #6 SCREW (SCREWS NOT INCLUDED).
- JKL ACCESSORIES TO BE ORDERED SEPARATELY: ZPS-1235 OR ZPS-1260 POWER SUPPLIES.
- DUE TO WIRE GAUGE USED IN THE CONSTRUCTION OF THE MODULES SERIAL RUNS SHOULD BE LIMITED TO 38 FEET OR 80 MODULES.
- POWER CONSUMPTION 1 WATTS PER FOOT.

PLEASE REFER TO JKL APPLICATION SHEET: JKL-AS-ZM-CHANNEL-LED FOR INSTALLATION AND POWER RECOMMENDATIONS.

ATTENTION



OBSERVE PRECAUTION FOR HANDLING ELECTROSTATIC DISCHARGE SENSITIVE DEVICES

| | | | | | | | |
|---|--|--|--|--|--|--|--|
| METRIC THIRD ANGLE PROJECTION | | DIMENSIONS ARE IN mm & (INCHES) TOLERANCE UNLESS OTHERWISE SPECIFIED 1 PL +/- REF. 2 PL +/- ANGLE +/- | | JKL COMPONENTS CORPORATION | | | |
| DRAWN BY L. WENGSTROM APPV'D BY L.R. | | DATE 11/20/12 | | SIZE A FSCM NO. 55335 | | TITLE WHITE 3-LED CHANNEL LIGHT | |
| - CAD DRAWING - MANUAL REVISIONS NOT PERMITTED | | SCALE NONE | | DRAWING NO. ZM-1968 MULTI | | RELEASED DATE 2/14/12 REVISION DATE 11/20/12 REV. NO. A | |
| SHEET 1 OF 1 | | | | | | | |

| | | |
|----------|-------------------------------------|-------------|
| REV. NO. | DESCRIPTION/ECO NUMBER | APPV'D DATE |
| A | ADDED DIMENSIONS FOR MOUNTING HOLES | 11/22/12 |
| | RELEASED | 2/14/12 |