

# 611/621-Series

## Single/Double Pole Rocker & Paddle Switches

The patriarch of the Carling line of sub-miniature switches has its roots deep in the Appliance, Audio Visual, Power Supply, and Telecom markets. The 611/621-Series compact size, sleek styling, actuator and termination choices make this switch a cost effective solution to most any switching need. International approvals, single or double pole circuitry, and ratings to 11A 125VAC further the broad appeal of this product family.



**Carling Technologies®**

Innovative Designs. Powerful Solutions.

Innovative Designs. Powerful Solutions.

Carling Technologies, Inc.  
60 Johnson Avenue • Plainville, CT 06062-1177  
Phone: (860) 793-9281 • Fax: (860) 793-9231  
Email: [sales@carlingtech.com](mailto:sales@carlingtech.com) • [www.carlingtech.com](http://www.carlingtech.com)

### Dielectric Strength

UL/CSA:  
 1000V - live to dead metal parts & opposite polarity  
 VDE: 4000V - live to dead metal parts;  
 1250V - opposite polarity & across open contacts

### Electrical Life

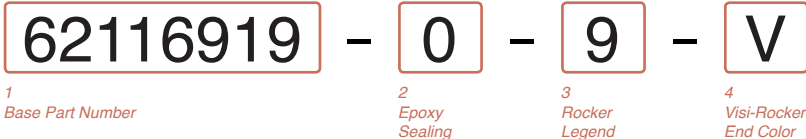
50,000 cycles- single pole  
 50,000 cycles- double pole

### Operating Temperature

32°F to 185°F (0°C to 85°C)

### Mechanical Life

100,000 cycles



#### BASE PART NUMBER: SERIES/CIRCUITRY/RATING\*/TERMINATION

	187 Tabs <sup>4</sup>	.080 Solder Lugs	PC Terms	Wire Leads	PC Frt. Mount	PC Back Mount	.187 Solder Lugs
<b>Single Pole; 4A 250VAC; 8A 125VAC; 6(4) A 250V<sup>4</sup></b>							
ON-NONE-OFF	62116919	-	-	62111914	621111918 <sup>6</sup>	62111917 <sup>6</sup>	62111916
ON-NONE-ON	62116929	62116421	62111422	62111924	621111828 <sup>6</sup>	62111927 <sup>6</sup>	62111926
ON-OFF-ON <sup>3</sup>	-	62111461	62111462	62111263 <sup>7</sup>	-	-	-
ON-NONE-(ON) <sup>3</sup>	-	62111431	62111432	62111233 <sup>7</sup>	-	-	-
ON-OFF-(ON) <sup>3</sup>	-	62111471	62111472	62111273 <sup>7</sup>	-	-	-
(ON)-OFF-(ON) <sup>3</sup>	-	62111481	62111482	62111283 <sup>7</sup>	-	-	-
<b>Double Pole; 4A 250VAC; 8A 125VAC; 6(4) A 250V<sup>4</sup></b>							
ON-NONE-OFF	62115919	-	-	62112914	621122918 <sup>6</sup>	62112917 <sup>6</sup>	62112916
ON-NONE-ON	62115929	62115420	62112422	62112924	621122928 <sup>6</sup>	62112927 <sup>6</sup>	62112926
ON-OFF-ON <sup>3</sup>	-	62112461	62112462	62112263 <sup>7</sup>	-	-	-
ON-NONE-(ON) <sup>3</sup>	-	62112431	62112432	62112233 <sup>7</sup>	-	-	-
ON-OFF-(ON) <sup>3</sup>	-	62112471	62112472	62112273 <sup>7</sup>	-	-	-
(ON)-OFF-(ON) <sup>3</sup>	-	62112481	62112482	62112283 <sup>7</sup>	-	-	-

#### 2 TERMINAL SEALING

0 None E Epoxy sealed terminals

**Notes:**

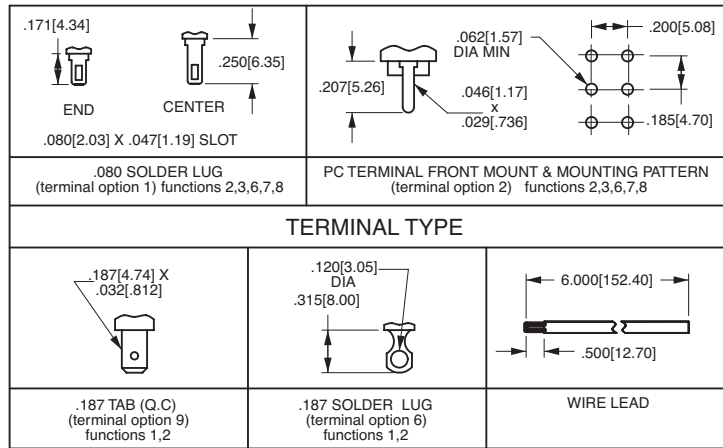
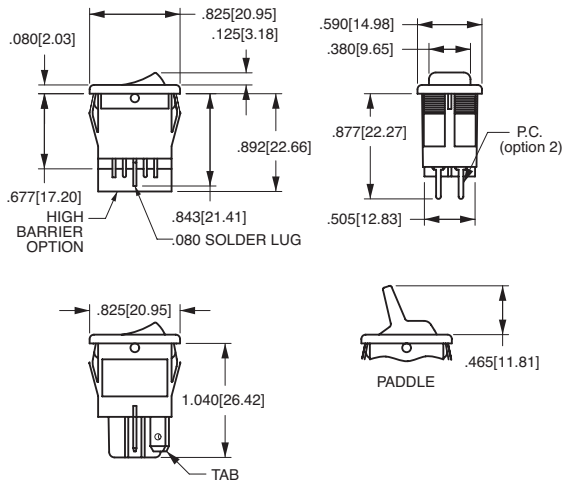
- 1 Base part number specifies black rocker with black bezel. To specify paddle actuator change 2nd digit from 2 to 1. ex.: 61115919= black paddle with black bezel. For additional ratings & colors, consult factory.
- 2 Dry circuit rating is available, consult factory.
- 3 Not available with 6(4) A 250 V rating or VDE approval.
- 4 6(4) A 250V VDE approved rating available with On-none-Off and On-none-On circuits only.
- 5 Available with visi-rocker option only.
- 6 Consult factory for PC footprint.
- 7 Rated 2A 250VAC, 5A 125 VAC resistive.
- ( ) Indicates momentary function.

#### 3 ROCKER LEGEND

	molded in <sup>5</sup>	hot stamp
NO LEGEND	0	0
Off-On vertical	n/a	A
Off-On horizontal	n/a	B
I-O horizontal	8	D
I-O vertical	9	E
O on rocker radius	n/a	F (Indicates ON)

#### 4 VISI-ROCKER END COLOR

N	n/a
V	visi-red
W	visi-white



PANEL THICKNESS	X	Y
.030[.762]-.060[1.52]	.508[12.90]	.756[19.20]
.060[1.52]-.093[2.36]	.508[12.90]	.764[19.40]
.093[2.36]-.156[3.96]	.508[12.90]	.780[19.81]

TEST CUT HOLE IN ACTUAL MATERIAL

\*Manufacturer reserves the right to change product specification without prior notice.