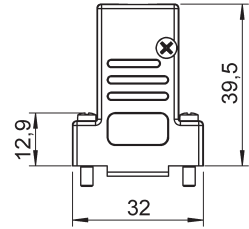
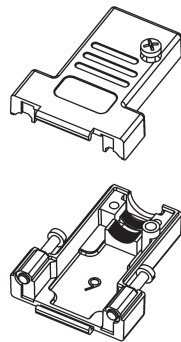
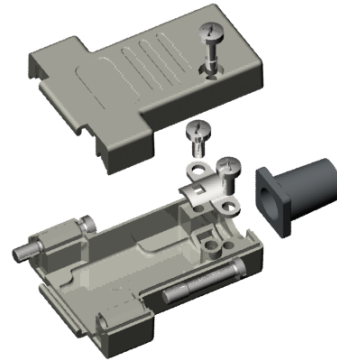


Shielded D-Sub Backshells DMTZK Series

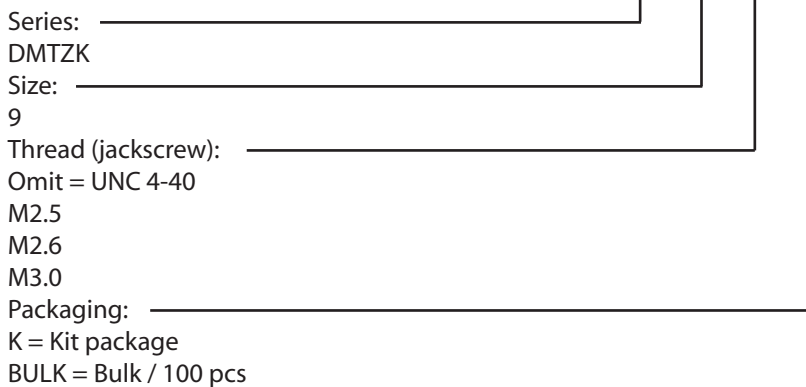
TECHNICAL SPECIFICATIONS

Material:	Zinc, Ni-plated
Temp. range:	-40°C - 120°C
Cable strain relief:	Cable clamp with 2 assembly screws
Cable diameter:	4.0 - 13.0 mm
Locking screws:	Delivered with pre-mounted jackscrews.
Cable outlet:	Straight
Attenuation factor:	> 60 dB between 300 MHz and 900 MHz



PART NUMBERING SYSTEM

DMTZK9 - - K



FEATURES

- Available in size 9-way
- Minimise interference from electromagnetic and RF sources
- Non-static parts avoid ESD problems
- Accept round foil and braided cable types
- Approved according VDE 0871, FCC 20780 and 89/336/EU
- Company logotype available upon request
- Pre-mounted jackscrews with UNC 4-40 thread as standard. M2.5, M2.6 or M3.0 as option
- For custom designed solutions, please consult factory