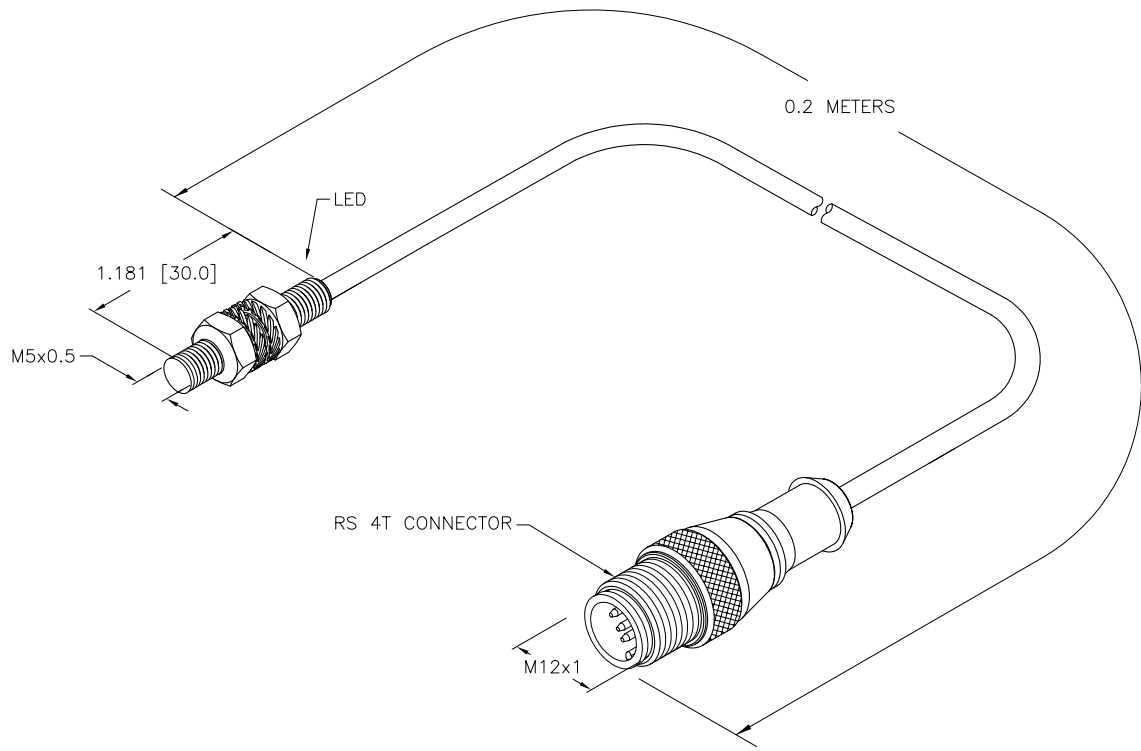


| SPECIFICATIONS               |   |
|------------------------------|---|
| RATED OPERATING DISTANCE     | 1.0 mm = .039" (NOMINAL)                |
| MOUNTING MODE                | FLUSH                                   |
| MIN. REPEAT ACCURACY         | ≤ 2%                                    |
| TEMPERATURE DRIFT            | ≤ ± 10%                                 |
| HYSTERESIS                   | 3-15%                                   |
| OPERATING TEMPERATURE        | -25°C to +70°C (-13°F to +158°F)        |
| RATED OPERATIONAL VOLTAGE    | 10-30 VDC                               |
| RESIDUAL RIPPLE              | ≤ 10%                                   |
| DC RATED OPERATIONAL CURRENT | ≤ 100 mA                                |
| NO-LOAD CURRENT              | ≤ 15 mA                                 |
| RESIDUAL CURRENT             | ≤ 0.1 mA                                |
| RATED INSULATION VOLTAGE     | ≤ 0.5 kV                                |
| SHORT-CIRCUIT PROTECTED      | YES                                     |
| MAX VOLTAGE DROP             | ≤ 1.8 V                                 |
| WIRE BREAKAGE PROTECTION     | INCORPORATED                            |
| REVERSE POLARITY PROTECTION  | INCORPORATED                            |
| OUTPUT FUNCTION              | 3-WIRE, NORMALLY OPEN, PNP              |
| MAX. SWITCHING FREQUENCY     | ≤ 3.0 kHz                               |
| HOUSING MATERIAL             | METAL, A4 1.4404 (AISI 316L)            |
| ACTIVE FACE MATERIAL         | PLASTIC, PA12-GF20                      |
| CABLE                        | ∅3.0, LifYY-11Y, TPU                    |
| SHOCK RESISTANCE             | 30 g, 11 ms                             |
| VIBRATION RESISTANCE         | 55 Hz, 1 mm AMPLITUDE (IN ALL 3 PLANES) |
| DEGREE OF PROTECTION         | IP67                                    |
| SWITCHING STATUS INDICATION  | LED: YELLOW                             |



SOURCE DRAWING - FOR REFERENCE ONLY

|   |   |   |                              |   |                |
|---|---|---|------------------------------|---|----------------|
| RELATED DOCUMENTS<br>1.<br>2.<br>3.<br>4. | 3RD ANGLE PROJECTION<br>  | THIS DRAWING IS PROPERTY OF TURCK INC. USE OF THIS DOCUMENT WITHOUT WRITTEN PERMISSION IS PROHIBITED. |                              | 3000 CAMPUS DRIVE<br>MINNEAPOLIS, MN 55441<br>1-800-544-7769<br>(763) 553-7300<br>(763) 553-0708 fax<br>turck.com |                |
|   | MATERIAL<br><br>SEE NOTES                                       | DRFT RDS<br>DSGN  | DATE 04/17/08<br>SCALE 1=1.0 | DESCRIPTION<br>BI 1-EG05-AP6X-0.2M-RS 4T  |                |
| FINISH<br><br>SEE NOTES                   | ALL DIMENSIONS DISPLAYED ON THIS DRAWING ARE FOR REFERENCE ONLY | UNIT OF MEASUREMENT<br><b>INCH [ MILLIMETER ]</b>   |                              | IDENTIFICATION NO.<br>S4609795  | REV<br>B       |
| B DRAWING PROCESSED AS PART OF ECO 33971  | CBM 04/06/11  | 33971   | DO NOT SCALE THIS DRAWING    |   | FILE: S4609795 |
| REV DESCRIPTION                           | BY DATE ECO NO.   | SHEET 1 OF 1  |                              |   |                |