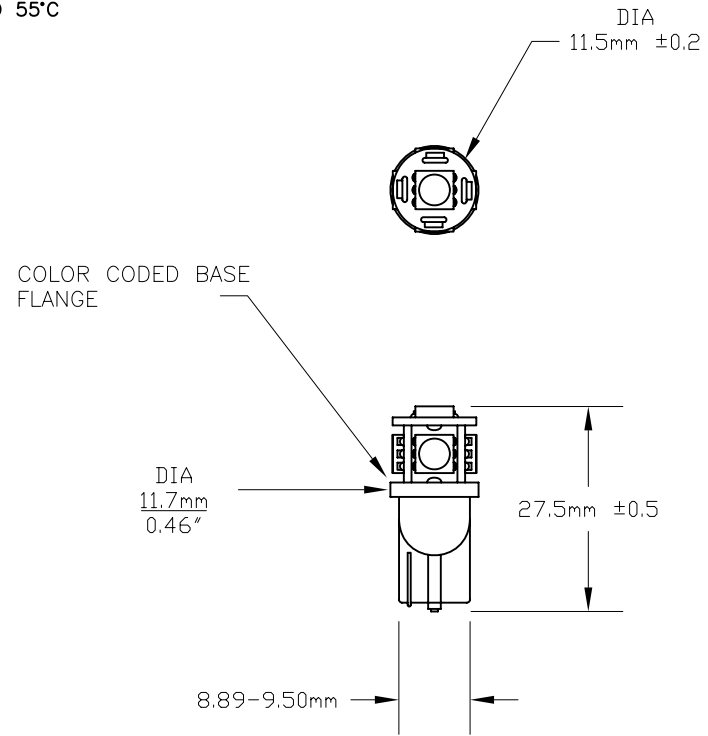


PART NO.	BASE TYPE	DESIGN VOLTS	DESIGN AMPS	WATTS
SEE BELOW	T3-1/4 WEDGE	12VDC	60mA	0.85

TESTING VOLTAGE: 14V  
 OPERATING TEMPERATURE: -30 TO 55°C

REVISIONS			
REV	DESCRIPTION	DATE	APPROVED
1	ISSUED	09/27/2010	D.C.



PART NUMBER	COLOR	LUMENS
L12V-WB-W	WHITE	35-40
L12V-WB-WW	WARM WHITE	35-40
L12V-WB-A	AMBER	9.8-11
L12V-WB-B	BLUE	4.5-5
L12V-WB-G	GREEN	27-30
L12V-WB-R	RED	6.5-8

UNLESS OTHERWISE SPECIFIED: DIMENSIONS ARE IN INCHES TOLERANCES		CEC INDUSTRIES LTD			
		599 BOND STREET LINCOLNSHIRE IL 60069			
		TITLE L12V-WB SERIES LED WEDGE BASE			
DRAWN D.C.	DATE 09/27/2010	SIZE A	FSCM NO.	DWG NO. L12V-WB SERIES	REV 1
CHECKED		SCALE	PLOT SCALE	SHEET 1 OF 1	
DESIGN		FILE L12V-WB SERIES.dwg	DO NOT SCALE DRAWING		