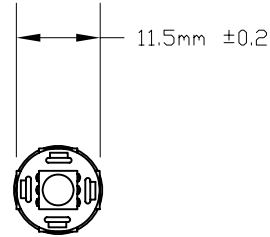


PART NO.	BASE TYPE	DESIGN VOLTS	DESIGN AMPS	WATTS
SEE BELOW	MINIATURE BAYONET BA9s	24VDC	60mA	0.85

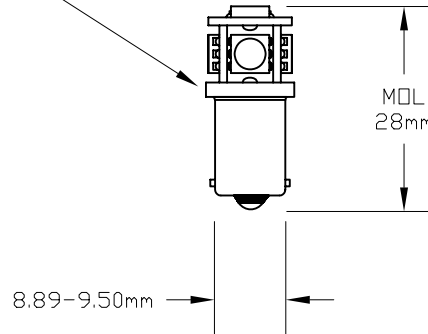
REVISIONS			
REV	DESCRIPTION	DATE	APPROVED
1	ISSUED	09/27/2010	D.C.

OPERATING TEMPERATURE: -30°C TO 55°C

CENTER CONTACT: POS. (+)
BASE: NEGATIVE (-)



COLOR CODED BASE FLANGE



PART NUMBER	COLOR	LUMENS
L24V-MB-W	WHITE	35-40
L24V-MB-WW	WARM WHITE	35-40
L24V-MB-A	AMBER	9.8-11
L24V-MB-B	BLUE	4.5-5
L24V-MB-G	GREEN	27-30
L24V-MB-R	RED	6.5-8

UNLESS OTHERWISE SPECIFIED: DIMENSIONS ARE IN INCHES TOLERANCES		CEC INDUSTRIES LTD			
		599 BOND STREET		LINDOLNSHIRE IL 60069	
		TITLE L24V-MB SERIES LED MINIATURE BAYONET BASE			
DRAWN D.C.	DATE 09/27/2010	SIZE A	FSCM NO.	DWG NO. L24V-MB SERIES	REV 1
CHECKED		SCALE	PLOT SCALE	SHEET 1 OF 1	
DESIGN		FILE L24V-MB SERIES.dwg		DO NOT SCALE DRAWING	