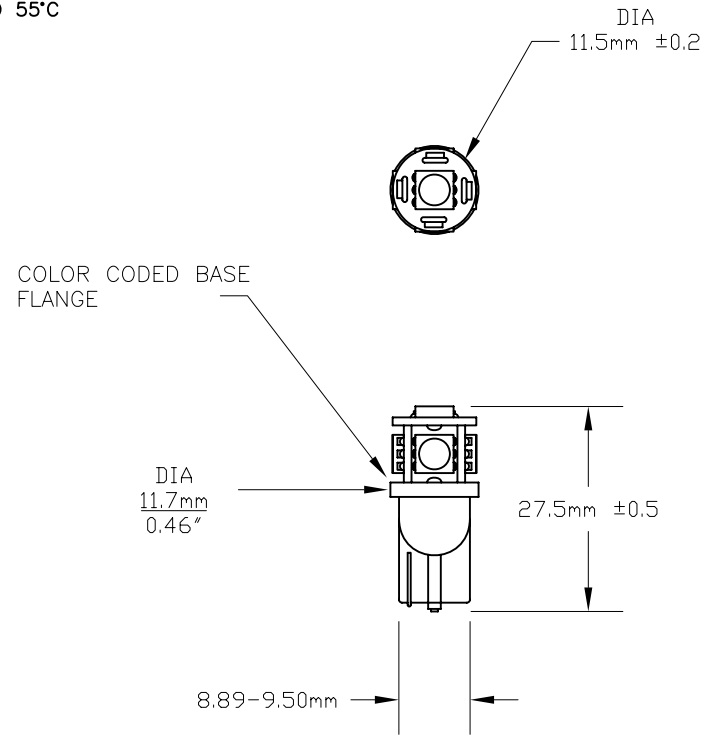


| PART NO. | BASE TYPE | DESIGN VOLTS | DESIGN AMPS | WATTS |
|-----------|--------------|--------------|-------------|-------|
| SEE BELOW | T3-1/4 WEDGE | 12VDC | 60mA | 0.85 |

| REVISIONS | | | |
|-----------|-------------|------------|----------|
| REV | DESCRIPTION | DATE | APPROVED |
| 1 | ISSUED | 09/27/2010 | D.C. |

TESTING VOLTAGE: 14V
 OPERATING TEMPERATURE: -30 TO 55°C



| PART NUMBER | COLOR | LUMENS |
|-------------|------------|--------|
| L12V-WB-W | WHITE | 35-40 |
| L12V-WB-WW | WARM WHITE | 35-40 |
| L12V-WB-A | AMBER | 9.8-11 |
| L12V-WB-B | BLUE | 4.5-5 |
| L12V-WB-G | GREEN | 27-30 |
| L12V-WB-R | RED | 6.5-8 |

| | | | | | |
|---|--------------------|---|----------------------|---------------------------|----------|
| UNLESS OTHERWISE SPECIFIED: DIMENSIONS ARE IN INCHES TOLERANCES | | CEC INDUSTRIES LTD | | | |
| | | 599 BOND STREET LINCOLNSHIRE IL 60069 | | | |
| | | TITLE L12V-WB SERIES LED WEDGE BASE | | | |
| DRAWN D.C. | DATE 09/27/2010 | SIZE A | FSCM NO. | DWG NO. L12V-WB SERIES | REV 1 |
| CHECKED | | SCALE | PLOT SCALE | SHEET 1 OF 1 | |
| DESIGN | | FILE L12V-WB SERIES.dwg | DO NOT SCALE DRAWING | | |