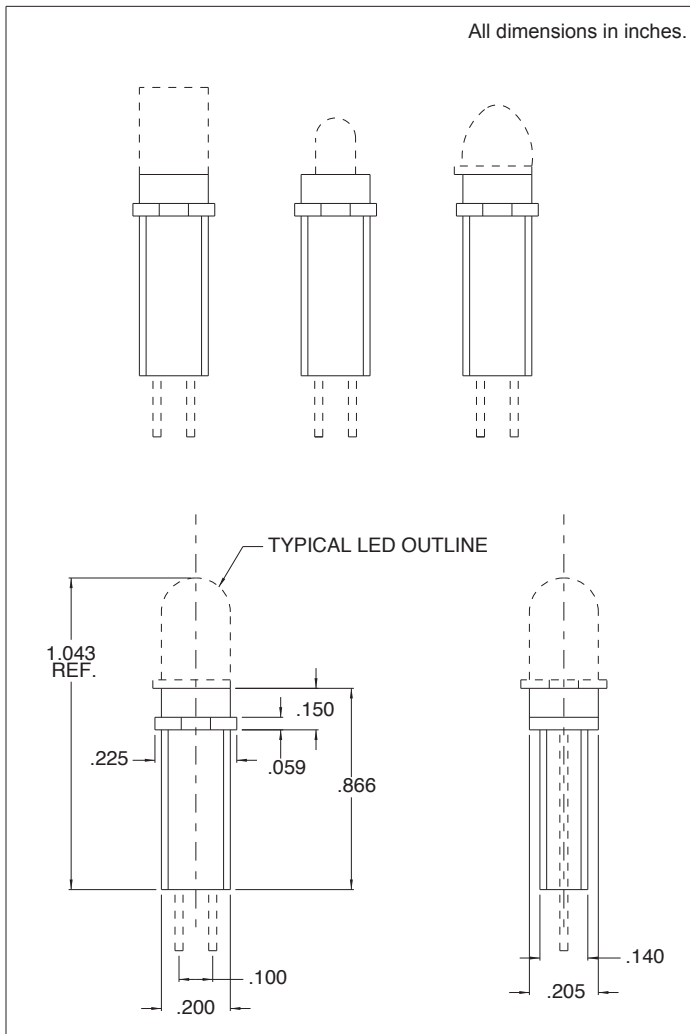


SpaceSetter™

Description and Features



SpaceSetter™ is a unique LED spacer designed to position your LEDs at predetermined heights off the board. SpaceSetter is provided to you pre-assembled to your LED. There is no need to assemble the spacer to the LED on your line. SpaceSetter provides for you not only significant installed cost savings, but reduced inventory, reduced part count, reduced lead time and reduced suppliers. Unlike ordinary spacers that are furnished in limited number of lengths, SpaceSetter is supplied to your specific height requirement from .200" to .900". SpaceSetter may be assembled to any LED with a .100" spaced standard lead frame. Hundreds of T-1, T-1 3/4 and rectangular LEDs can all be supplied with SpaceSetter. SpaceSetter is the most cost effective method of assuring fast accurate mounting of LEDs at precise heights off your Printed Circuit Board.

How to Order:

CMD5753 - 500

Desired
LED

Length of
SpacSetter
(500=.500")