

**Part number:**

**1196960**

**Copyright**

© 2014, FLIR Systems, Inc.

All rights reserved worldwide. Names and marks appearing herein are either registered trademarks or trademarks of FLIR Systems and/or its subsidiaries. All other trademarks, trade names or company names referenced herein are used for identification only and are the property of their respective owners.

March 31, 2014, 08:20 PM

**Corporate Headquarters**

FLIR Systems, Inc.  
27700 SW Parkway Ave.  
Wilsonville, OR 97070  
USA  
Telephone: +1-503-498-3547

**Website**

<http://www.flir.com>

**Customer support**

<http://support.flir.com>

**Legal disclaimer**

Specifications subject to change without further notice. Camera models and accessories subject to regional market considerations. License procedures may apply.

Information and equipment described herein may require US Government authorization for export purposes. Diversion contrary to US law is prohibited.



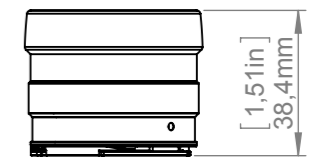
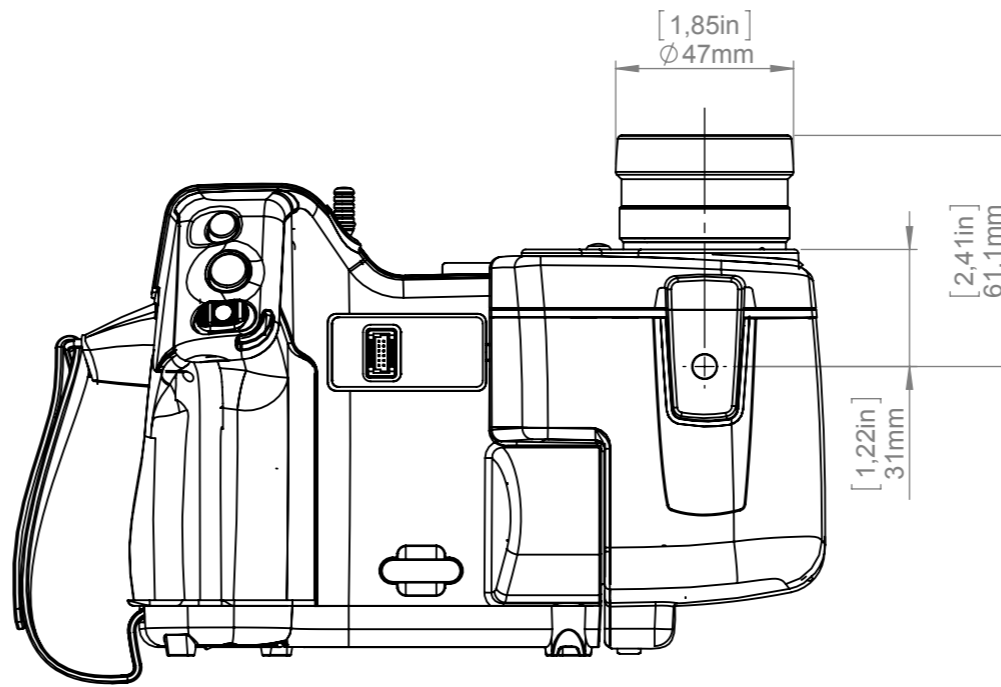
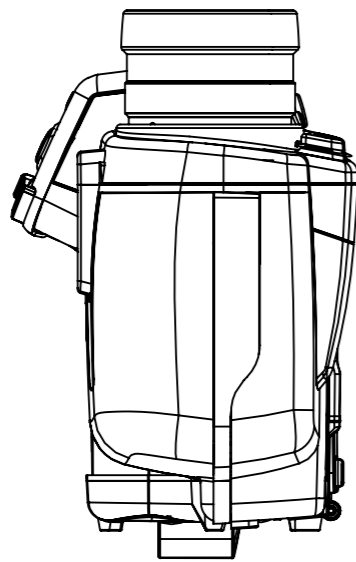
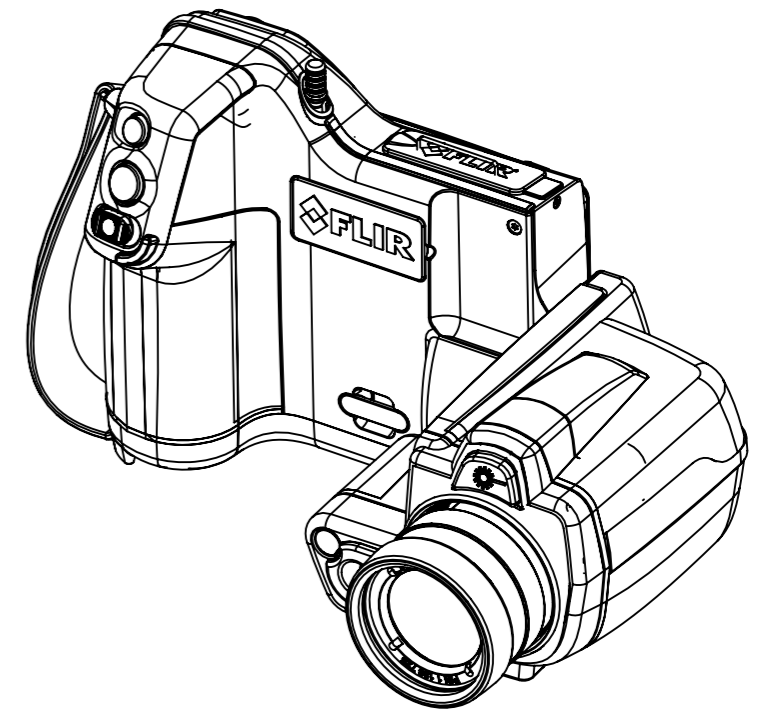
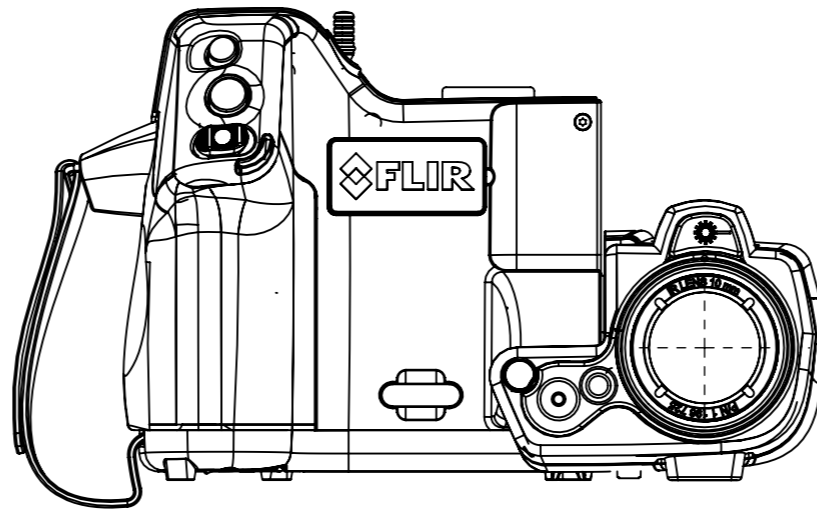
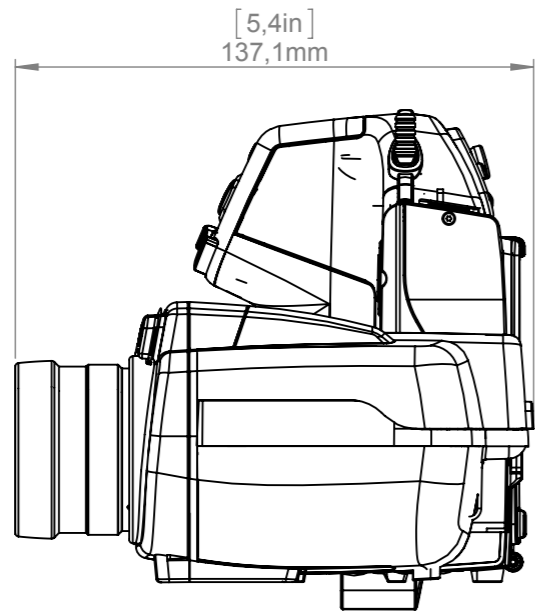
**Licensing and classification**

Field of view (FOV)	45° × 33.8°
Minimum focus distance	0.20 m (0.66 ft.)
Focal length	9.66 mm (0.38 in.)
Spatial resolution (IFOV)	Depends on the IR resolution of the camera: 5.18 mrad for 160 × 120 pixels 4.14 mrad for 200 × 150 pixels 3.45 mrad for 240 × 180 pixels 2.59 mrad for 320 × 240 pixels
F-number	1.3
Weight	0.105 kg (0.231 lb.), incl. two lens caps
Size (L × D)	38 × 47 mm (1.5 × 1.9 in.)

**Shipping information**

<ul style="list-style-type: none"> <li>• Lens</li> <li>• Lens case</li> </ul>	
Packaging, weight	0.35 kg
Packaging, size	175 × 170 × 100 mm
EAN-13	4743254000834
UPC-12	845188000134

# Camera with Lens IR f=10 mm (45°)

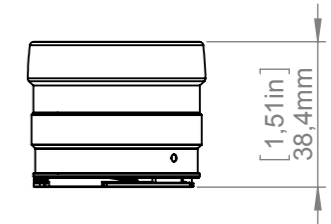
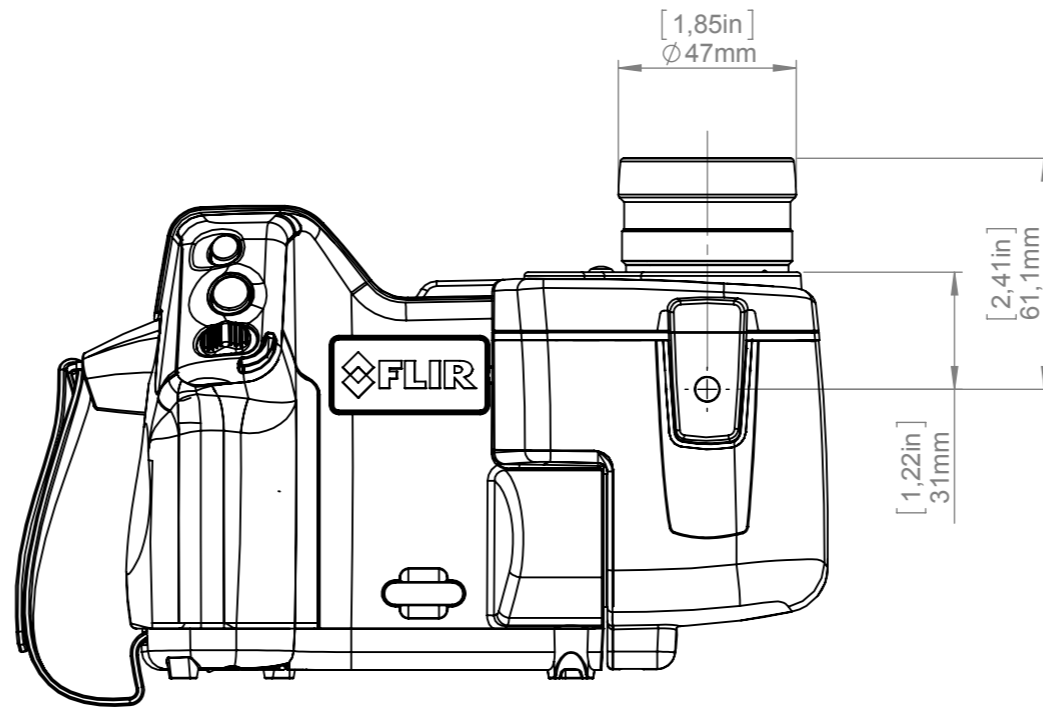
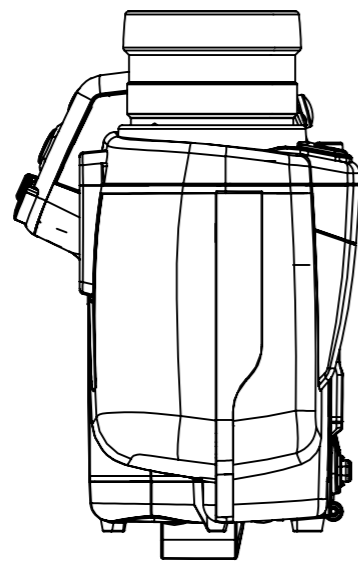
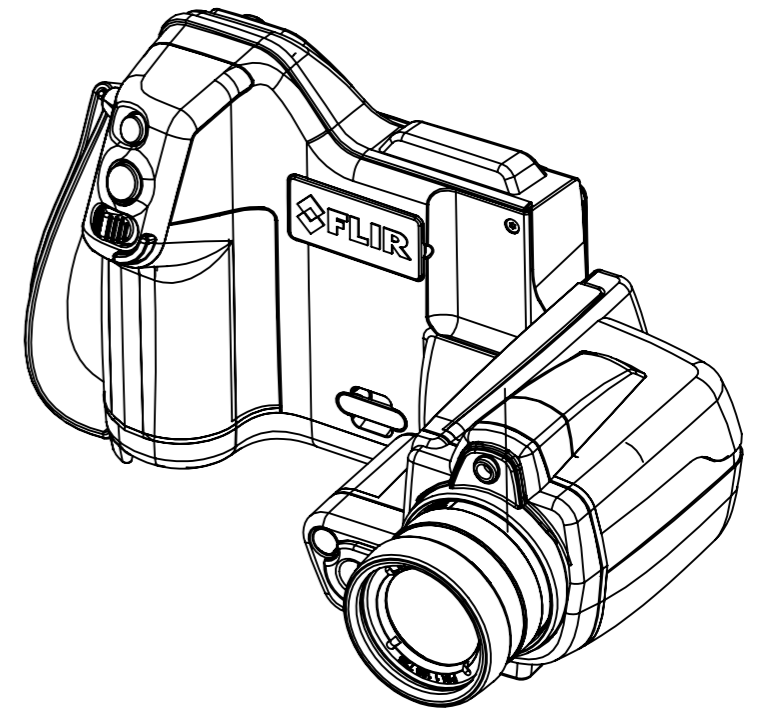
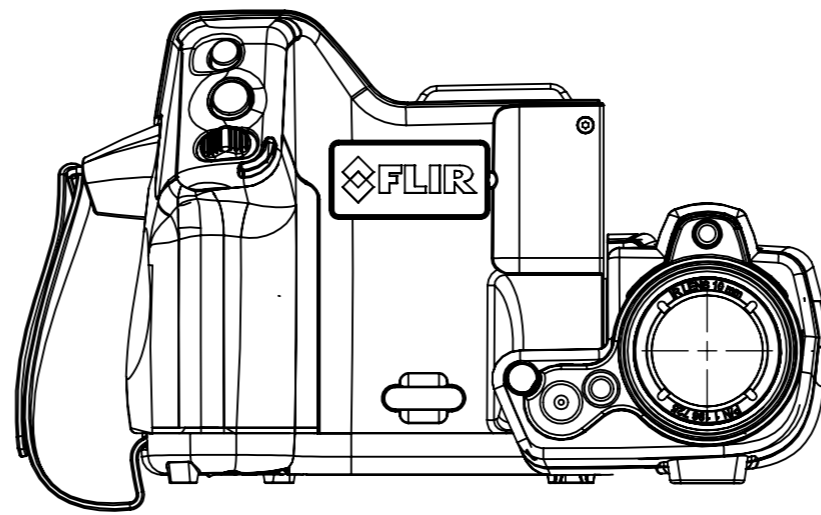
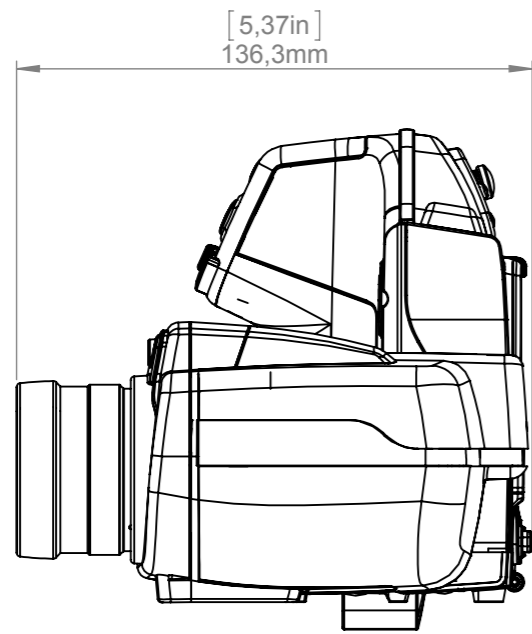


For additional dimensions see page 1

Modified 2012-04-18	Check CAHA	Drawn by R&D Thermography	
Denomination			
Basic dimensions FLIR Txxx/Bxxx			Scale 1:2
Drawing No. T197905			Sheet 3(7)
			Size B

© 2012 FLIR Systems, Inc. All rights reserved worldwide. No part of this drawing may be reproduced, stored in a retrieval system, or transmitted in any form, or by any means, electronic, mechanical, photocopying, recording, or otherwise without written permission from FLIR Systems, Inc. Specifications subject to change without further notice. Dimensional data is based on nominal values. Products may be subject to regional market considerations. License procedures may apply. Product may be subject to US Export Regulations. Please refer to exportquestions@flir.com with any questions. Diversion contrary to US law is prohibited.

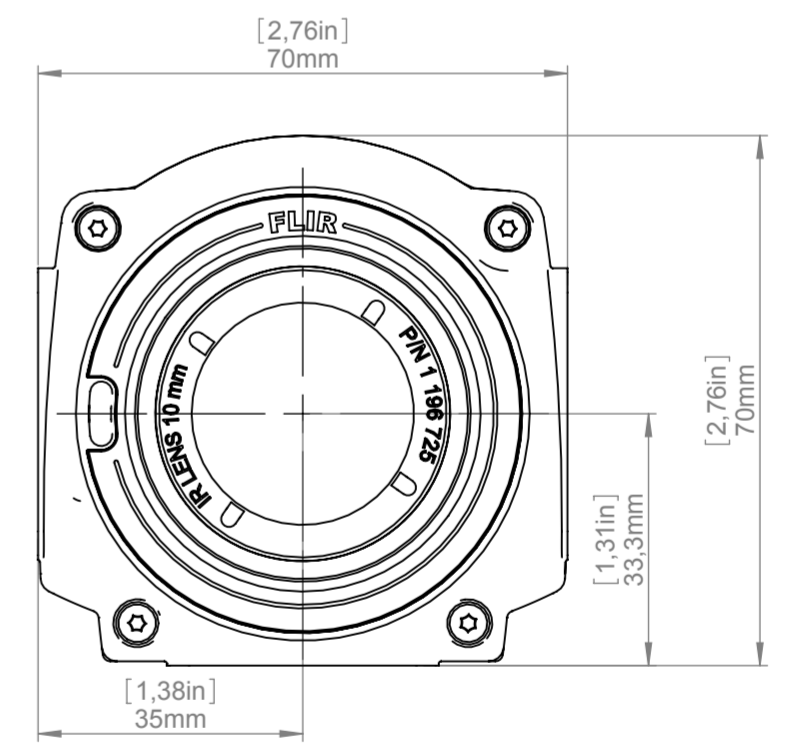
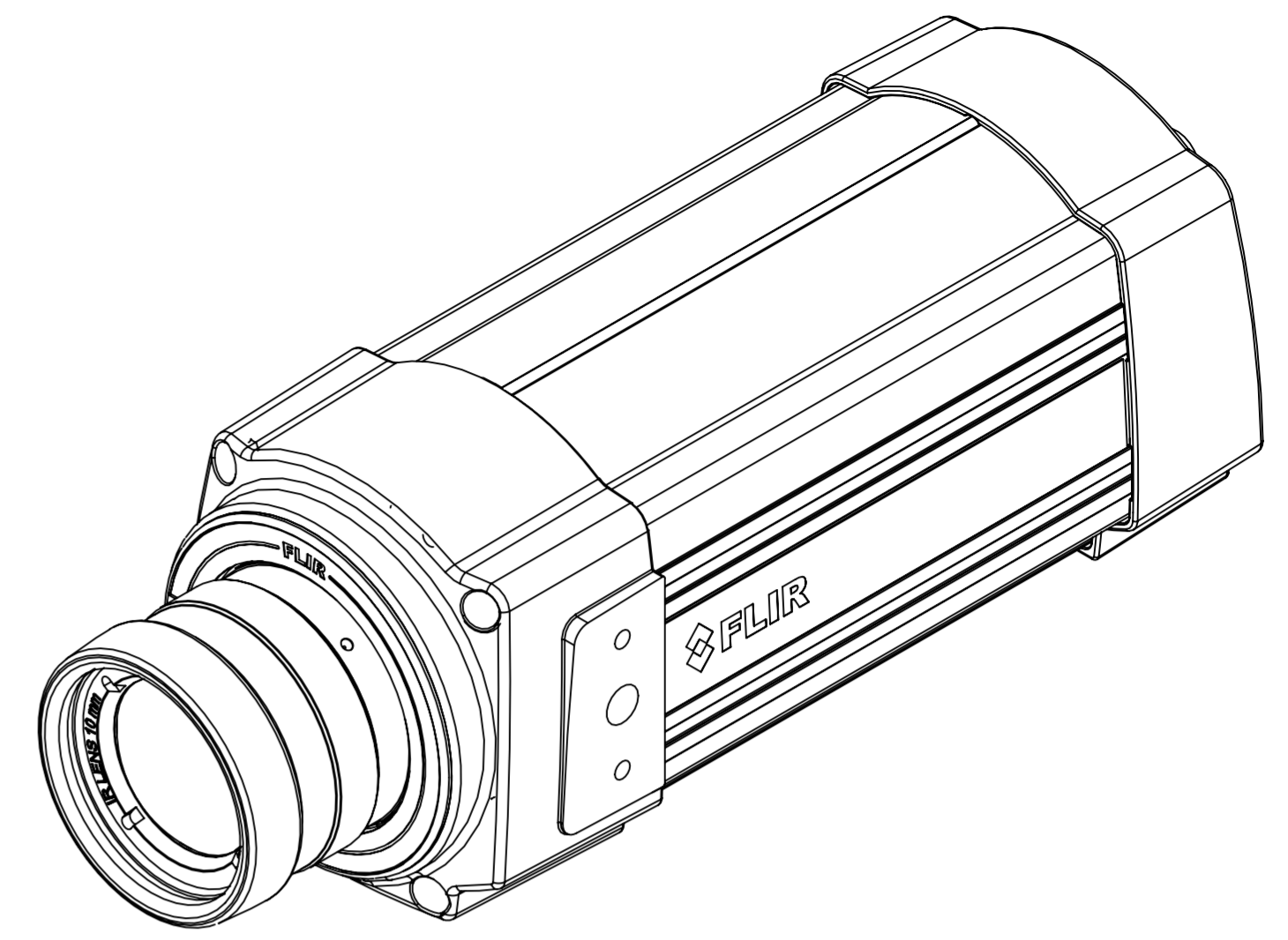
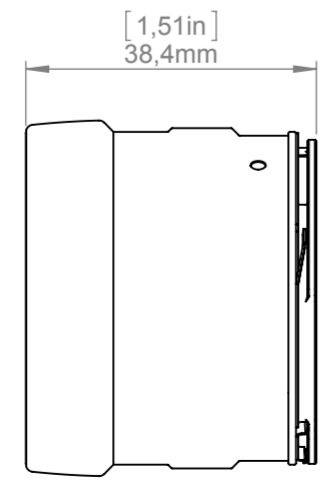
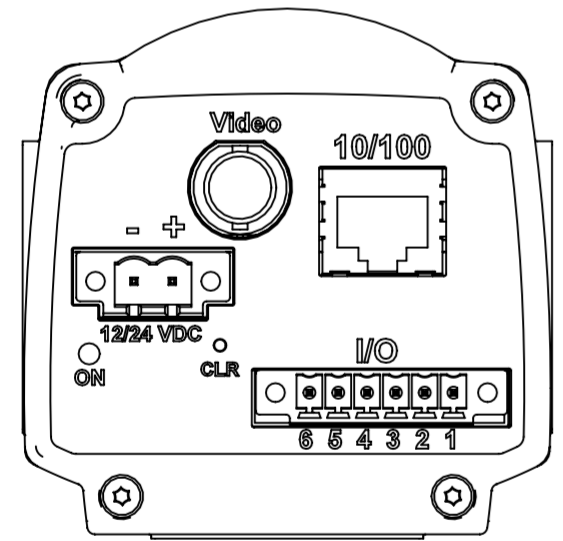
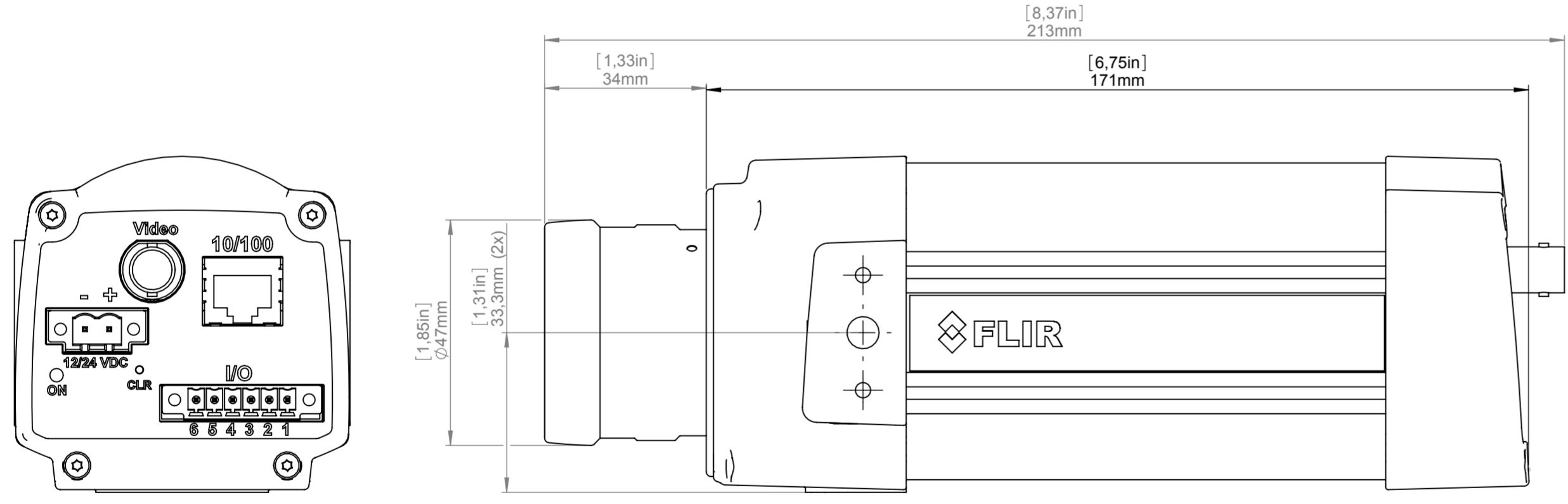
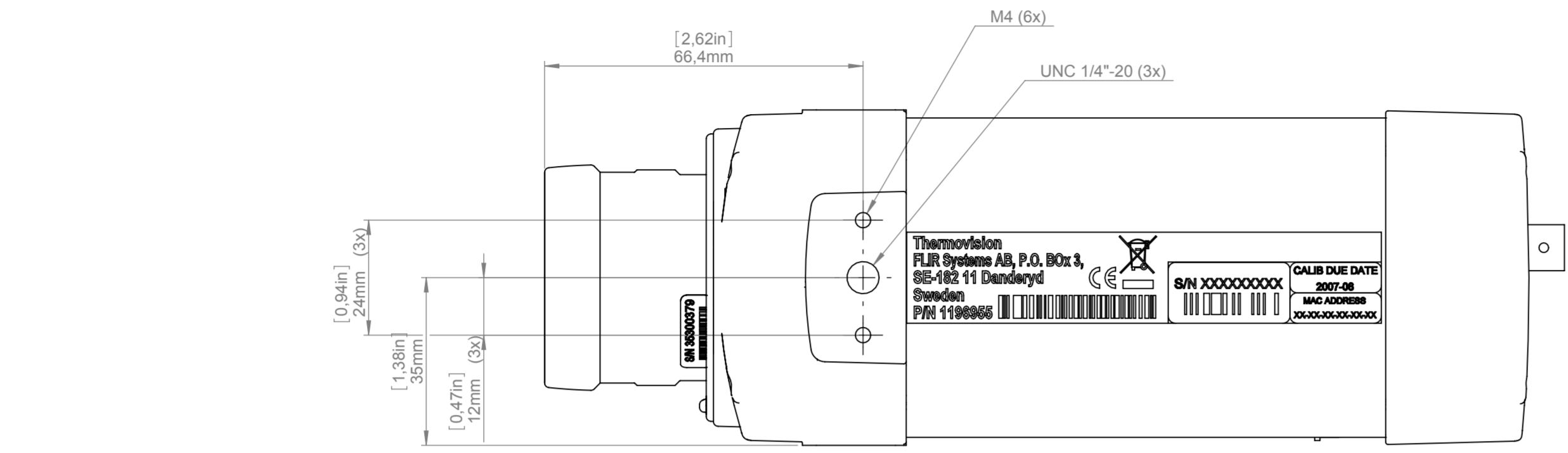
# Camera with Lens IR f=10 mm (45°)



© 2012 FLIR Systems, Inc. All rights reserved worldwide. No part of this drawing may be reproduced, stored in a retrieval system, or transmitted in any form, or by any means, electronic, mechanical, photocopying, recording, or otherwise without written permission from FLIR Systems, Inc. Specifications subject to change without further notice. Dimensional data is based on nominal values. Products may be subject to regional market considerations. License procedures may apply. Product may be subject to US Export Regulations. Please refer to exportquestions@flir.com with any questions. Diversion contrary to US law is prohibited.

Modified 2012-06-07	Check JOTA	Drawn by R&D Thermography	
Denomination			
<b>Basic Dimensions FLIR T4xx</b>			Sheet 3(7) Size <b>A</b>

# Camera with Lens IR f=10 mm (45°)

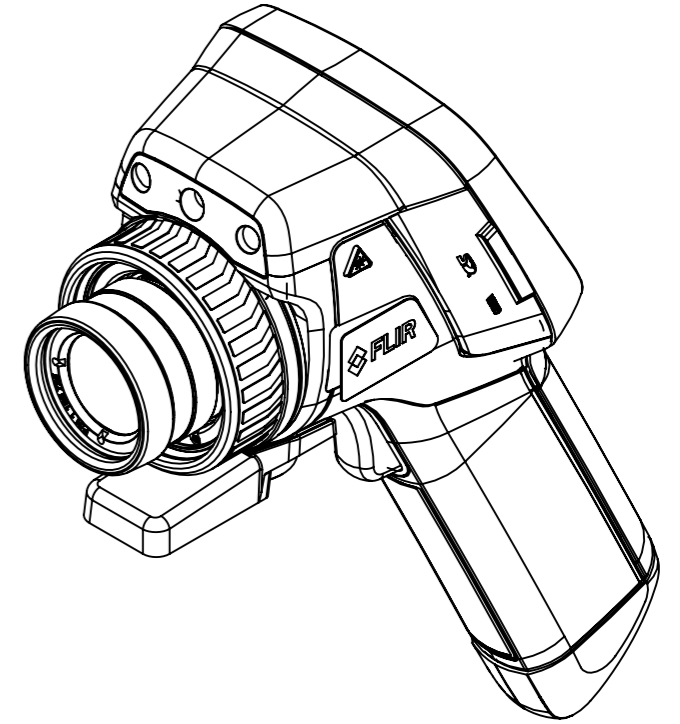
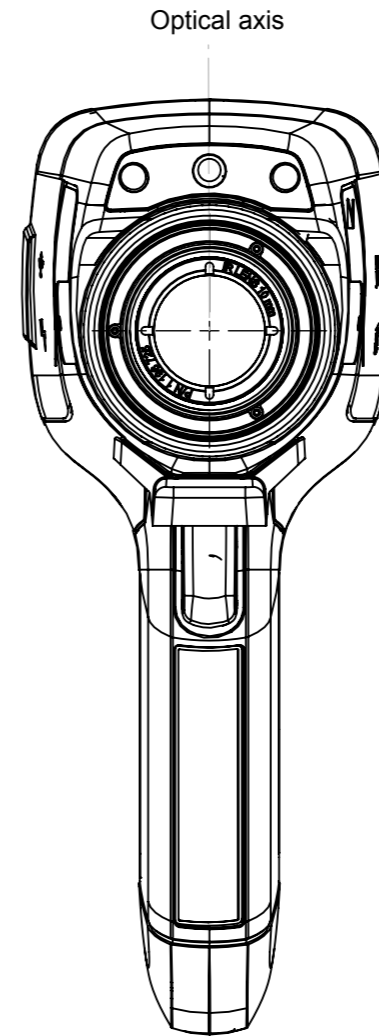
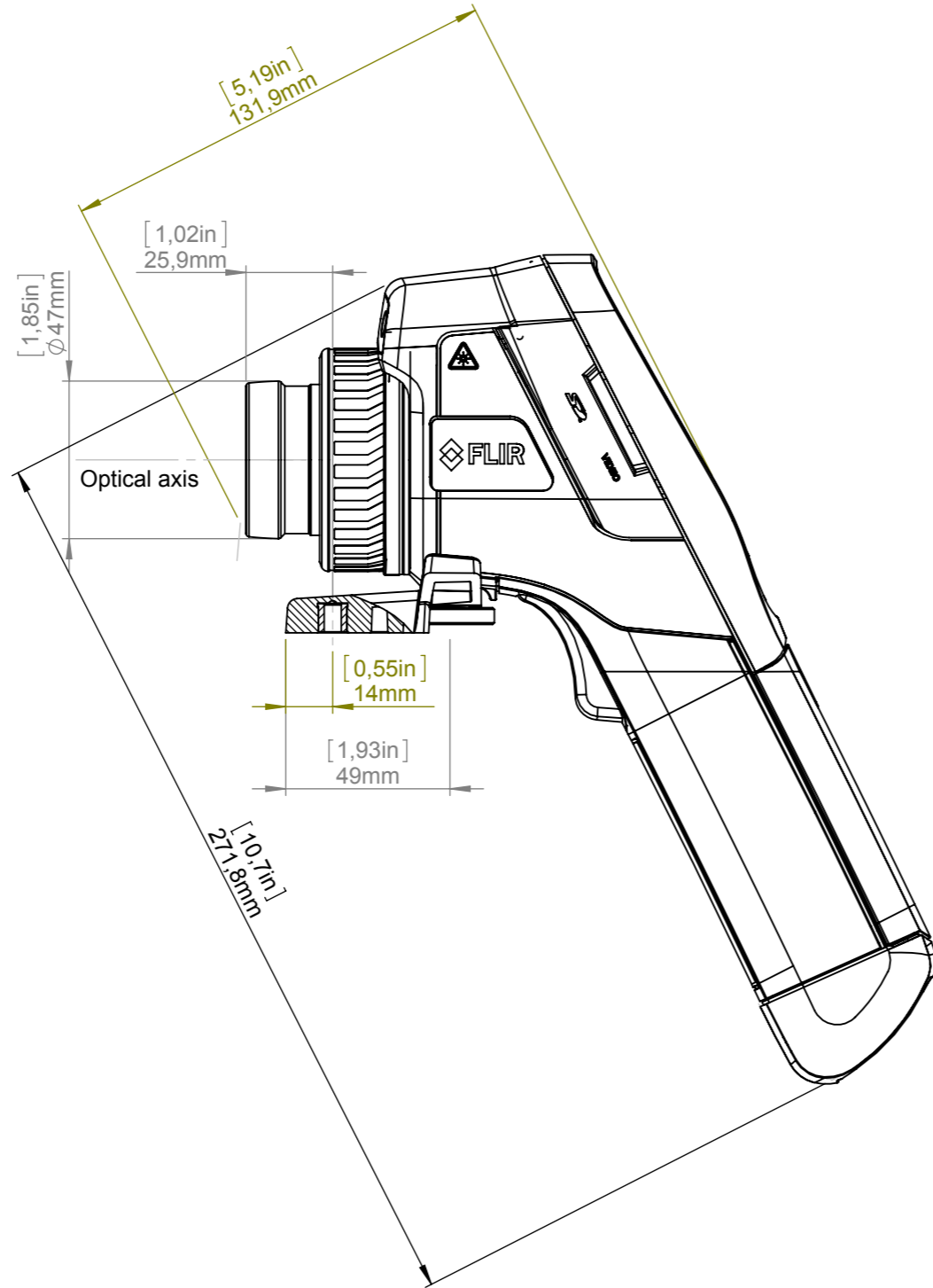
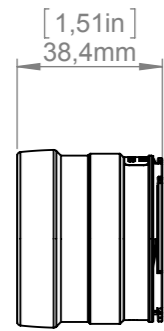


For additional dimensions see page 1

© 2012 FLIR Systems, Inc. All rights reserved worldwide. No part of this drawing may be reproduced, stored in a retrieval system, or transmitted in any form, or by any means, electronic, mechanical, photocopying, recording, or otherwise, without the prior written permission of FLIR Systems, Inc. Specifications subject to change without notice. Dimensional data is based on nominal values. Products may be subject to regional market considerations. License procedures may apply. Product may be subject to US Export Regulations. Please refer to exportquestions@flir.com with any questions. Division contrary to US law is prohibited.

Modified 2012-04-18	Check CAHA	Drawn by R&D Thermography	Size A3		Sheet 3(8)
Denomination Basic dimensions FLIR A3xx/SC3xx			Scale 1:1		Sheet 3(8)
			Drawing No. T125002	Size A	

# Camera with Lens IR f=10 mm (45°)



© 2012 FLIR Systems, Inc. All rights reserved worldwide. No part of this drawing may be reproduced, stored in a retrieval system, or transmitted in any form, or by any means, electronic, mechanical, photocopying, recording, or otherwise without written permission from FLIR Systems, Inc. Specifications subject to change without further notice. Dimensional data is based on nominal values. Products may be subject to regional market considerations. License procedures may apply. Product may be subject to US Export Regulations. Please refer to exportquestions@flir.com with any questions. Diversion contrary to US law is prohibited.

For additional dimensions see page 1

Modified 2012-04-18	Check CAHA	Drawn by R&D Thermography	
Denomination <b>Basic dimensions FLIR Exx</b>			
Drawing No. <b>T126960</b>			Sheet 2(4) Size <b>A</b>